

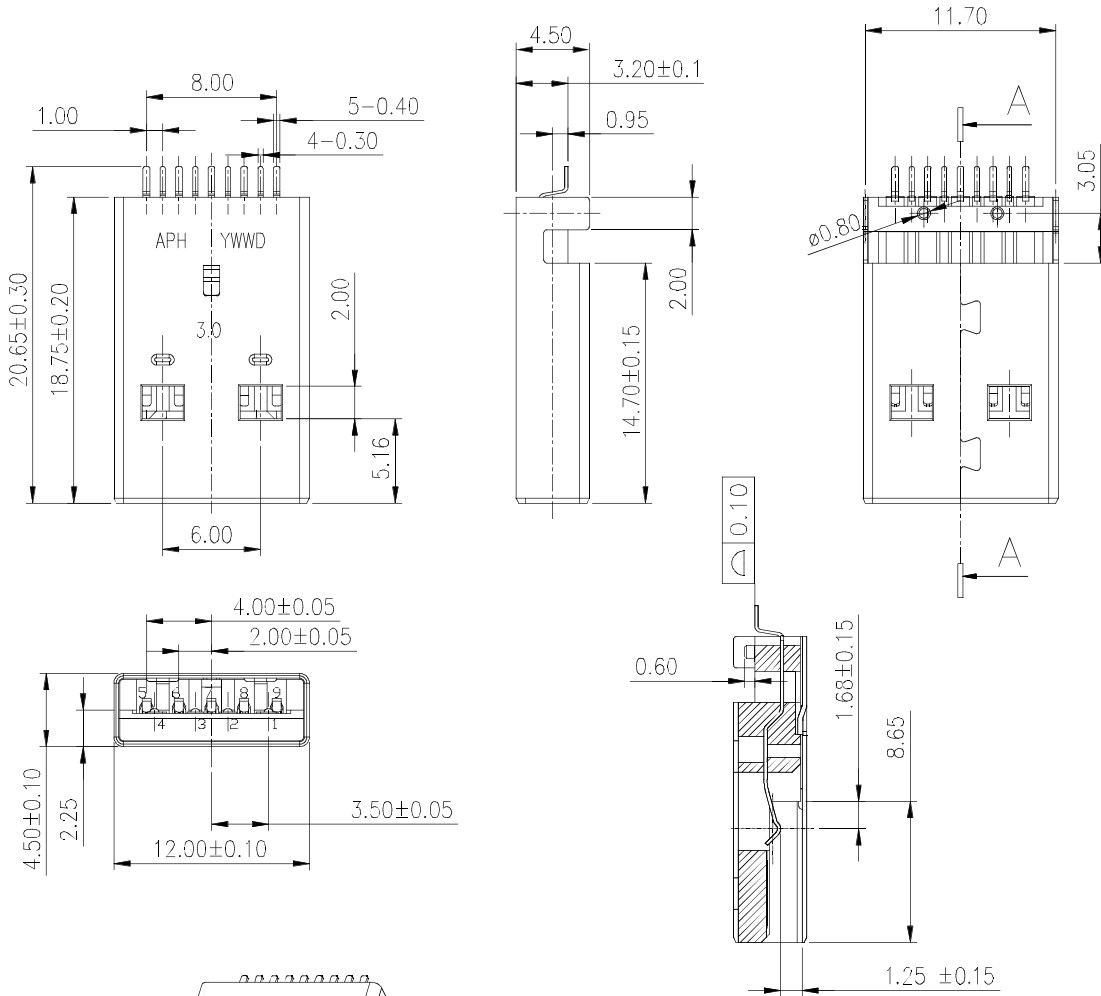
This document is the property of Amphenol Corporation and is delivered on the express condition that it is not to be disclosed, reproduced or used, in whole or in part, for manufacture or sale by anyone other than Amphenol Corporation without its prior consent, and that no right is granted to disclose or to use any information in this document.

The marking on this product doesn't contain environmental hazardous materials per Material Specification SS-00259 for Sony GP compliant or per directive 2011/65/EU for PbHS compliant.



ORIGINAL

REVISIONS				
SYM	ECN No.	DESCRIPTION	DATE	APPROVED
A		APPROVED REVISION	10/19/2010	Arron Lin
B	NE-11036	ADDED DATE CODE	03/18/2011	Arron Lin
C	NE-15093	UPDATE DRAWING	08/06/2015	Arron Lin



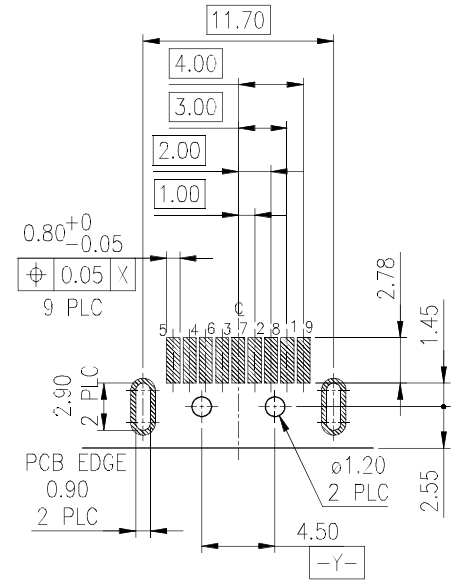
NOTES:

- MATERIAL:
 - HOUSING: HIGH TEMPERATURE THERMAL PLASTIC, LCP, UL94V-0, 30% GLASS FIBER FILLED, COLOR: BLUE 300C
 - TERMINAL: PHOSPHOR BRONZE.
 - SHELL: SPCC
- FINISH:
 - TERMINAL: CONTACT AREA: GOLD PLATING 30 μ" THICKNESS MIN. SOLDERING AREA: MATTE TIN PLATING 100 μ" THICKNESS MIN.; UNDER PLATING: NICKEL PLATING 50 μ" THICKNESS MIN. OVERALL SHELL: NICKEL PLATING 50 μ" MINIMUM OVERALL,
- PRODUCT SPECIFICATION REFER TO : PS-7425
- THIS PRODUCT IS LEAD-FREE & RoHS COMPLIANT PRODUCT.

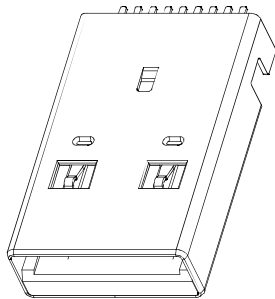


PART NO. GSB3164X1CEU

PLATING OF SOLDERING AREA
4: 100u" MATTE TIN



RECOMMEND P.C.B LAYOUT GENERAL TOLERANCE±0.05 (COMPONENT SIDE)



SECTION A-A

TOLERANCE	APPROVALS	DATE	TITLE	UNIT	SIZE	PART No.
X.	DRAWN		USB3.0 CONNECTOR STANDARD A TYPE, PLUG R/A SMT (CH=0.95)	mm	A3	GSB3164X1CEU
X.X ±0.30	Debby Hung	08/06/2015				
X.XX ±0.20	CHECKED					
X.XXX ±0.10	Roger Tsai	08/06/2015				
ANGULAR ±1°	APPROVED					
	Arron Lin	08/06/2015				
UNLESS OTHERWISE SPECIFIED	DWG TYPE	PROJECT CODE		SCALE	SHEET	DWG No.
	CUST DWG	OTHER		NA	1 OF 2	GSB3164X1CEU
						REV. C

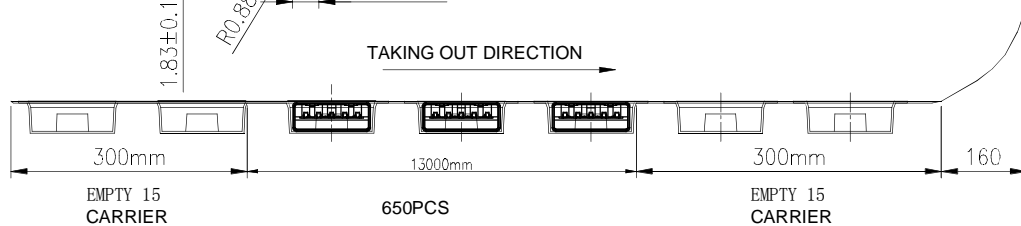
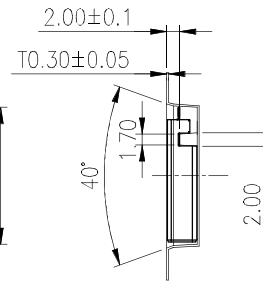
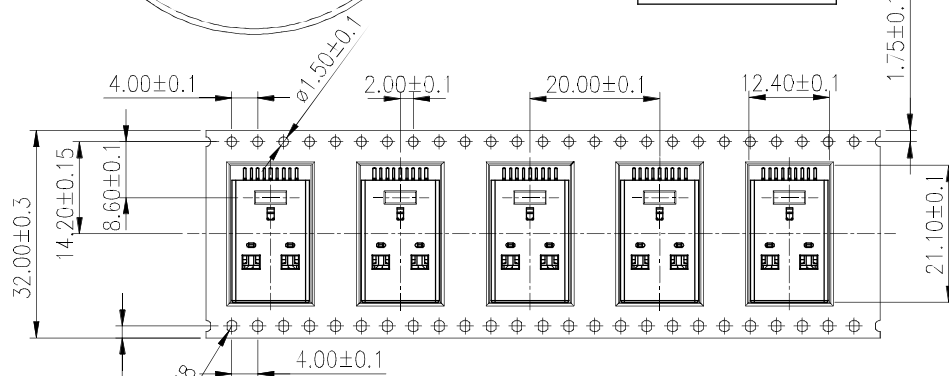
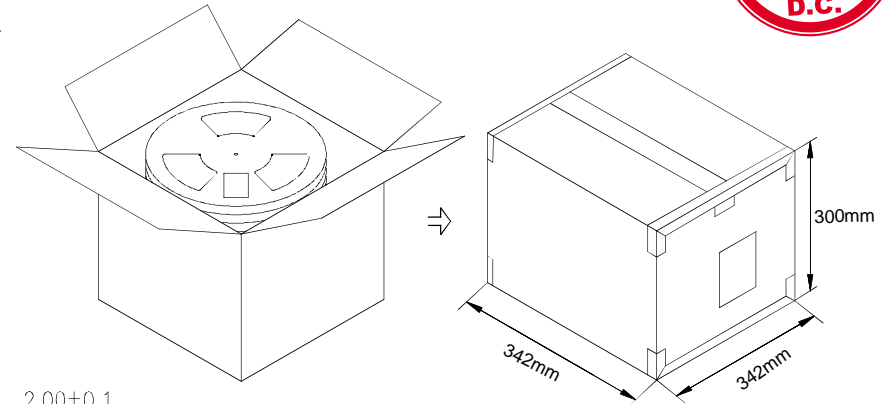
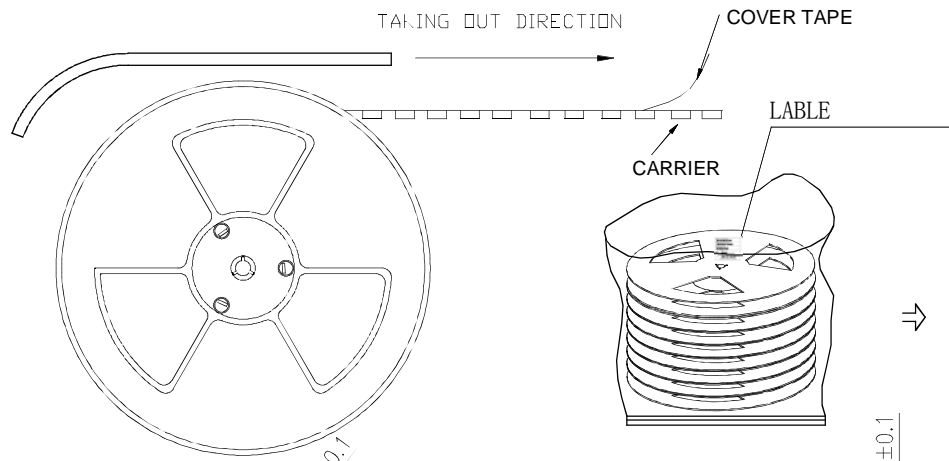
This document is the property of Amphenol Corporation and is delivered on the express condition that it is not to be disclosed, reproduced or used, in whole or in part, for manufacture or sale by anyone other than Amphenol Corporation without its prior consent, and that no right is granted to disclose or to use any information in this document.

The marking on this product doesn't contain environmental hazardous materials per Material Specification SS-00259 for Sony GP compliant or per directive 2011/65/EU for RoHS compliant.



ORIGINAL

REVISIONS				
SYM	ECN No.	DESCRIPTION	DATE	APPROVED
A		APPROVED REVISION	10/19/2010	Arron Lin
B	NE-11036	ADDED DATE CODE	03/18/2011	Arron Lin
C	NE-15093	UPDATE DRAWING	08/06/2015	Arron Lin



10.0	7.68	650	8	5200	GSB3164X1CEU
GROSS WEIGHT	NET WEIGHT	PCS/REEL	REELS/CARTON	QUANTITY	PART NUMBER

TOLERANCE	APPROVALS	DATE
X. ±0.30	DRAWN Debby Hung	08/06/2015
X.XX ±0.20	CHECKED Roger Tsai	08/06/2015
X.XXX ±0.10	APPROVED Arron Lin	08/06/2015
ANGULAR ±1°	DWG TYPE CUST DWG	PROJECT CODE OTHER
UNLESS OTHERWISE SPECIFIED		

TITLE USB3.0 CONNECTOR STANDARD A TYPE, PLUG R/A SMT					
UNIT mm	SIZE A3	PART No. GSB3164X1CEU			
SCALE NA	SHEET 2 OF 2	DWG No. GSB3164X1CEU		REV. C	

Amphenol[®]
Amphenol Corporation
Amphenol Taiwan Corporation