

6

5

4

3

2

1

E

E

D

D

C

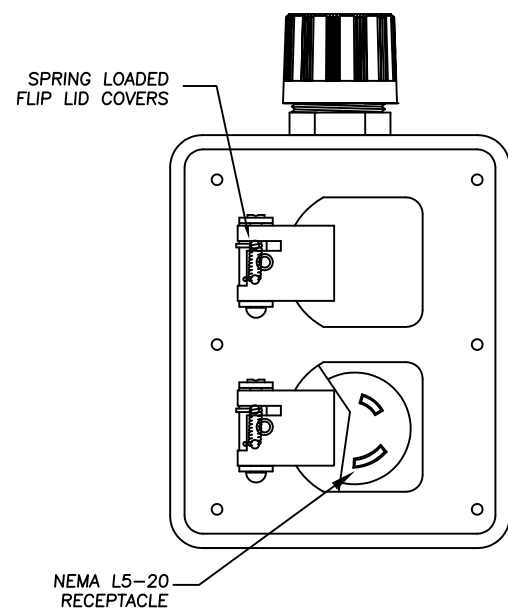
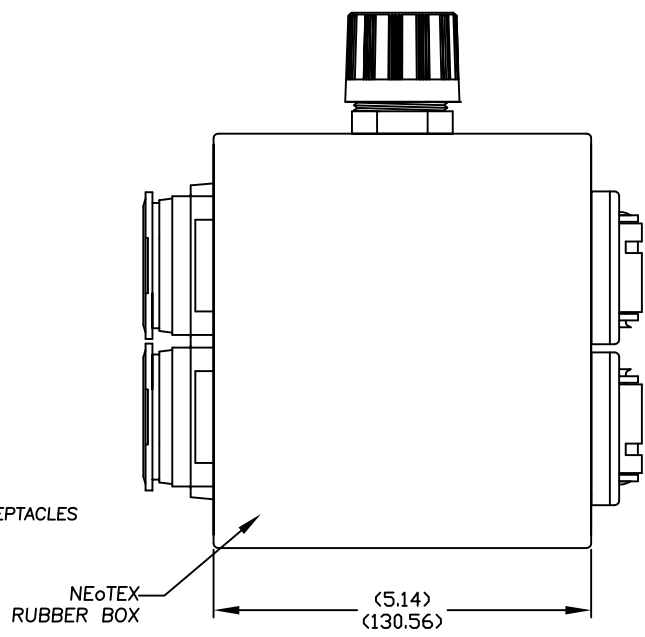
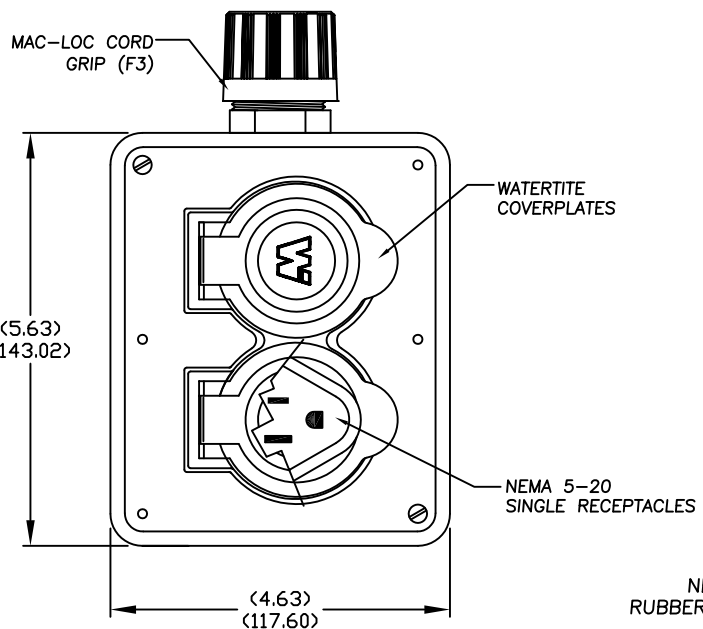
C

B

B

A

A



SUPPLIED WITH GROMMET RANGE: .562-.687

RELEASE DRAWING EC NO: WNA2010-0621 DRWN: TVICKERS 2010/04/06 CHKD: HK APPR: DTTUS 2010/06/16	DESCRIPTION PORTABLE OUTLET BOX	QUALITY SYMBOLS	GENERAL TOLERANCES (UNLESS SPECIFIED)		DIMENSION STYLE IN/MM		SCALE NTS	DESIGN UNITS INCH	THIRD ANGLE PROJECTION																															
		$\nabla=0$ $\nabla C=0$	<table border="1"> <tr><th></th><th>mm</th><th>INCH</th></tr> <tr><td>4 PLACES</td><td>±---</td><td>±---</td></tr> <tr><td>3 PLACES</td><td>±---</td><td>±.005</td></tr> <tr><td>2 PLACES</td><td>±0.13</td><td>±.010</td></tr> <tr><td>1 PLACE</td><td>±0.25</td><td>±.020</td></tr> </table>		mm	INCH	4 PLACES	±---	±---	3 PLACES	±---	±.005	2 PLACES	±0.13	±.010	1 PLACE	±0.25	±.020	<table border="1"> <tr><th colspan="2">ANGULAR ±.5°</th></tr> <tr><td colspan="2">DRAFT WHERE APPLICABLE MUST REMAIN WITHIN DIMENSIONS</td></tr> </table>	ANGULAR ±.5°		DRAFT WHERE APPLICABLE MUST REMAIN WITHIN DIMENSIONS		<table border="1"> <tr><td>DRAWN BY</td><td>DATE</td></tr> <tr><td>TVICKERS</td><td>2010/04/06</td></tr> <tr><td>CHECKED BY</td><td>DATE</td></tr> <tr><td>HK</td><td>2010/04/06</td></tr> <tr><td>APPROVED BY</td><td>DATE</td></tr> <tr><td>DTTUS</td><td>2010/06/14</td></tr> </table>	DRAWN BY	DATE	TVICKERS	2010/04/06	CHECKED BY	DATE	HK	2010/04/06	APPROVED BY	DATE	DTTUS	2010/06/14	TITLE PORTABLE OUTLET BX (2)NEMA 5-20 (2)NEMA L5-20		MOLEX INCORPORATED	SHEET NO. 1 OF 1
			mm	INCH																																				
		4 PLACES	±---	±---																																				
3 PLACES	±---	±.005																																						
2 PLACES	±0.13	±.010																																						
1 PLACE	±0.25	±.020																																						
ANGULAR ±.5°																																								
DRAFT WHERE APPLICABLE MUST REMAIN WITHIN DIMENSIONS																																								
DRAWN BY	DATE																																							
TVICKERS	2010/04/06																																							
CHECKED BY	DATE																																							
HK	2010/04/06																																							
APPROVED BY	DATE																																							
DTTUS	2010/06/14																																							
MATERIAL NO. 1301350372		DOCUMENT NO. SD-130135-031																																						
A	REV	SIZE A		THIS DRAWING CONTAINS INFORMATION THAT IS PROPRIETARY TO MOLEX INCORPORATED AND SHOULD NOT BE USED WITHOUT WRITTEN PERMISSION																																				

6

5

4

3

2

1