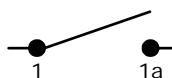


RECOMMENDED PANEL MOUNTING

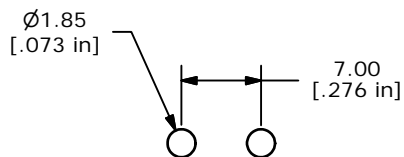
| PANEL THICKNESS | X |
|-----------------|-------------|
| 0.75-1.25 | 19.20-19.30 |
| 1.25-2.00 | 19.30-19.40 |
| 2.00-3.00 | 19.50-19.60 |

| SWITCH FUNCTION | | |
|-----------------|--------|--------|
| POS. 1 | POS. 2 | POS. 3 |
| (ON) | NONE | OFF |
| (1a-1) | N/A | OPEN |

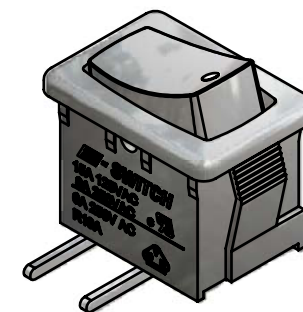
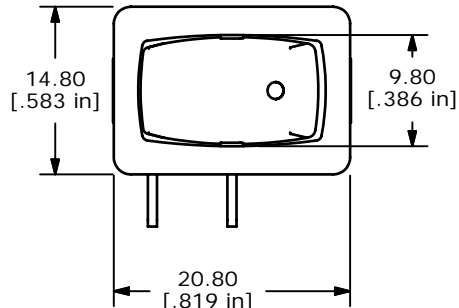
MOMENTARY=(ON)



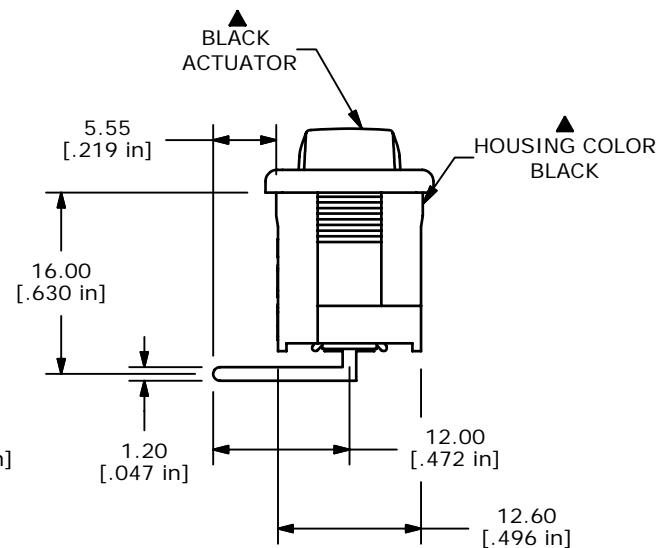
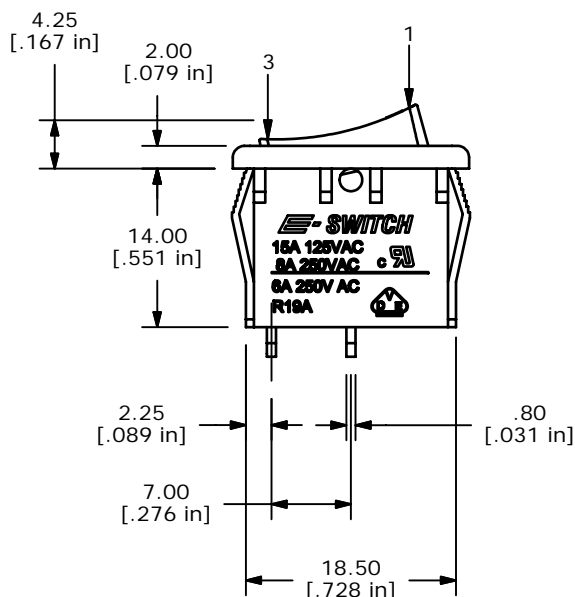
CIRCUIT: SPST



PC MOUNTING



ISOMETRIC



NOTES:

1. ALL DIMENSIONS IN MM [INCH]
2. GENERAL TOLERANCE: X.X=±0.4
X.XX=±0.25
3. TERM. NOS. FOR REF. ONLY
4. RATING: 15A @125VAC;
8A @250VAC.
- ▲5. LAMP VOLTAGE: NO LAMP
6. MATERIAL:
CONTACT SURFACE: SILVER ALLOY
TERMINAL: COPPER ALLOY w/SILVER PLATE
7. ELECTRICAL LIFE: 10,000 CYCLES
8. CONTACT RESISTANCE: <20 MILLI-OHMS INITIAL
9. DIELECTRIC STRENGTH: >1,500V AC 1 MIN
10. ▲DENOTES CRITICAL PARAMETER.
11. 2002/95/EC (ROHS) COMPLIANT.

E-SWITCH®

| REV | PCR NO | DESCRIPTION | DATE | BY |
|-----|--------|-------------------------|-----------|----|
| B | 16741 | UPDATED DRAWING | 12/7/2006 | TN |
| A | 15540 | RELEASED FOR PRODUCTION | 11/17/05 | PH |

| | | | | |
|----------------------|-----------|----|---------|-----|
| TITLE R1966FBLKBLKAR | | | | |
| SCALE | DATE | DR | DWG | REV |
| 1.5:1 | 12/7/2006 | TN | M302427 | B |

THE INFORMATION CONTAINED IN THIS DOCUMENT IS PROPRIETARY TO E-SWITCH AND IS NOT TO BE COPIED OR TRANSFERRED