

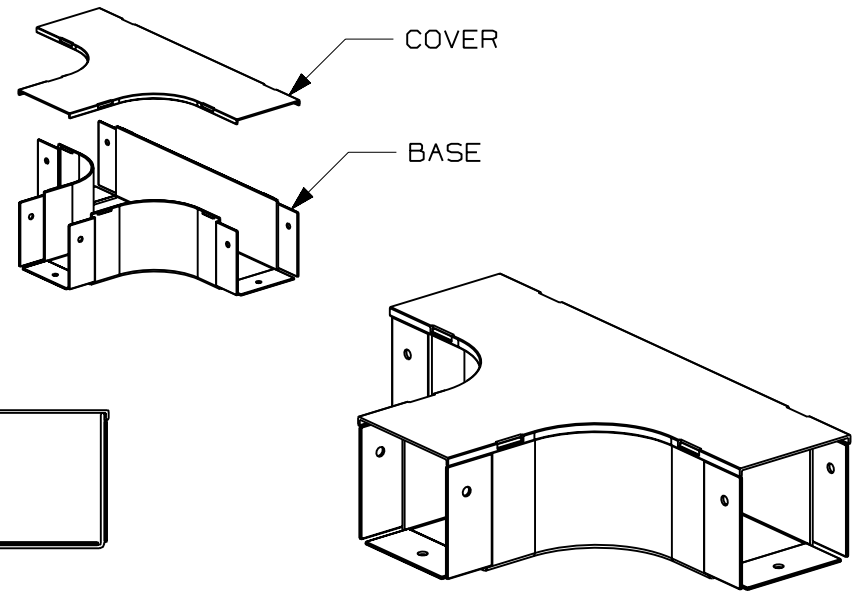
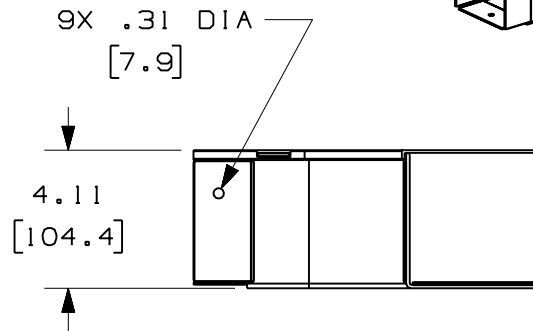
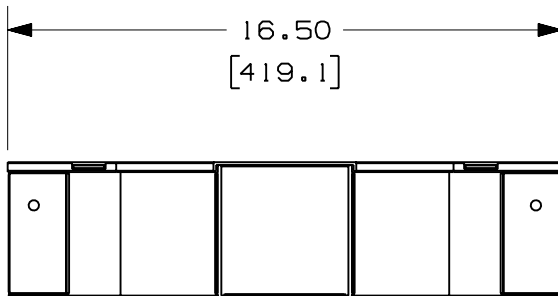
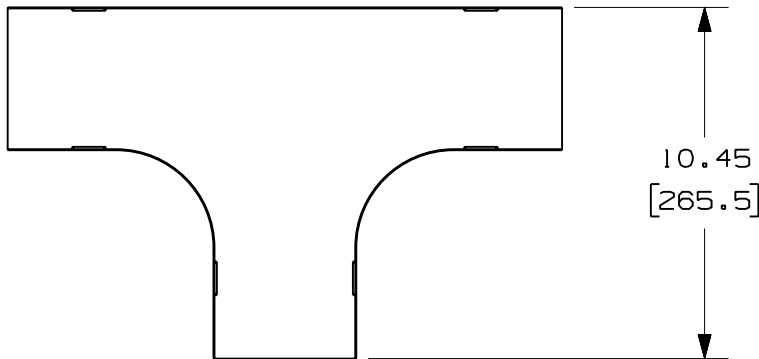


PANDUIT PART NUMBER	WEIGHT
FT4X4	1.46 LB/EACH (663g/EACH)



NOTES:

1. SEE CURRENT CATALOG FOR ADDITIONAL PART SUFFIXES TO INDICATE COLOR AND/OR PACKAGE QUANTITY.
2. THE FIBER-DUCT 4x4 HORIZONTAL TEE FITTING IS DESIGNED WITH A MINIMUM 2" (50.8) BEND RADIUS TO PROTECT FIBER OPTIC CABLES.
3. DIMENSIONS IN PARENTHESES ARE IN METRIC.



ENG. REF.: D35245CF_DC_FT4X4_03.prt

CAD FILENAME/LAYERS **E** FT4X4.pdf

PANDUIT CORP TINLEY PARK, ILLINOIS
FIBER-DUCT 4x4 HORIZONTAL TEE FITTING (FT4X4)
 CUSTOMER DRAWING

UNLESS OTHERWISE SPECIFIED, DIMENSIONAL TOLERANCES ARE: (.X) ± (.XXX) ± (.XX) ± .03 (.8) ANGLES ±		UNLESS OTHERWISE SPECIFIED, ALL DIMENSIONS ARE GIVEN IN INCHES, THIRD ANGLE PROJECTION.	
DRAWN BY JBA	MAT'L: ABS	SCALE NONE	DWG A
DATE 4-2-97	CHK'D CEF	DRAWING NO. 35245-32	SIZE A

REV	DATE	BY	CHK	DESCRIPTION	ECN	R	CUST	SUP	GMBH
-	-----	---	--	I. REVISED GENERAL NOTES. H. REVISED PART WEIGHT.	-----	--	--		
-	-----	---	--	G. REVISED MATERIAL. F. REVISED DRAWING TITLE.	-----	--	--		
3	12-28-06	MSO	RN	E. REVISED CAD FILENAME. D. REVISED AND REDRAWN.	35245-32	RN	RN		