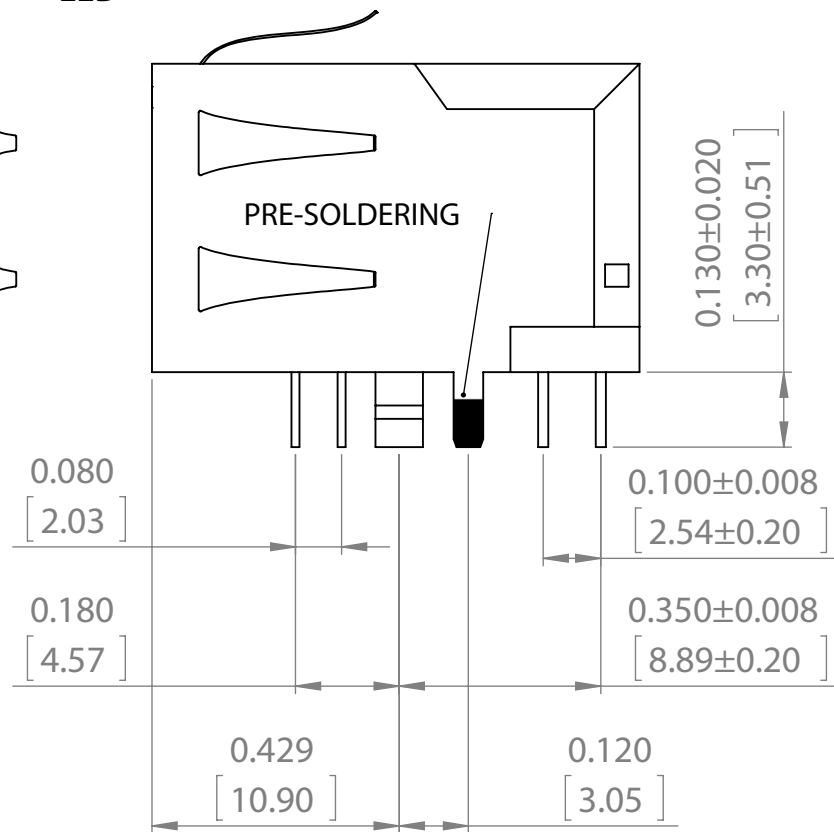
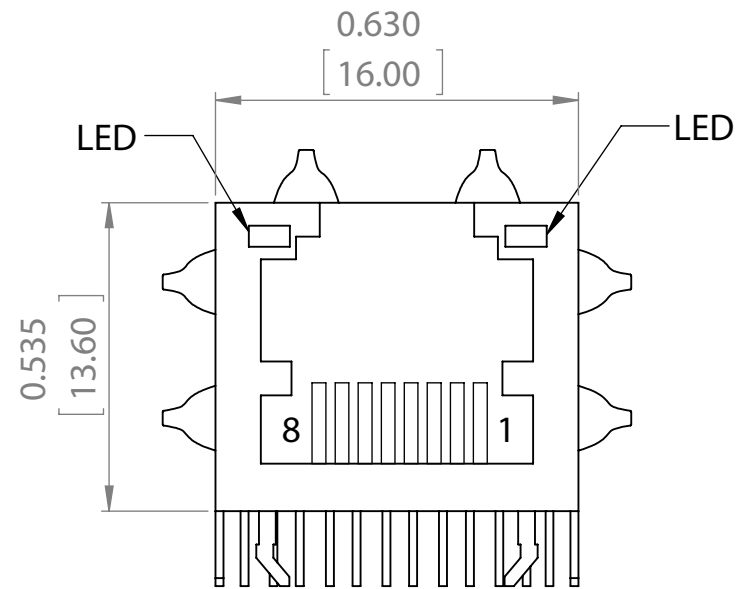
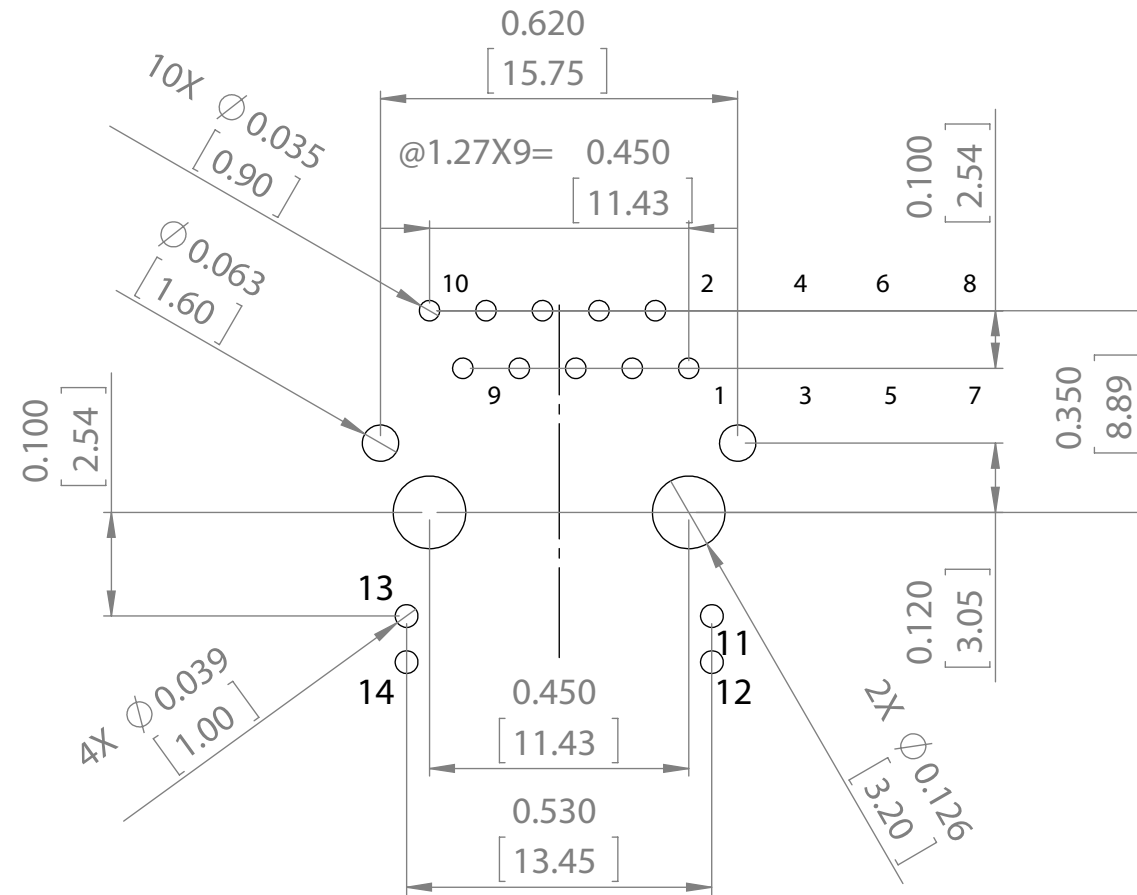
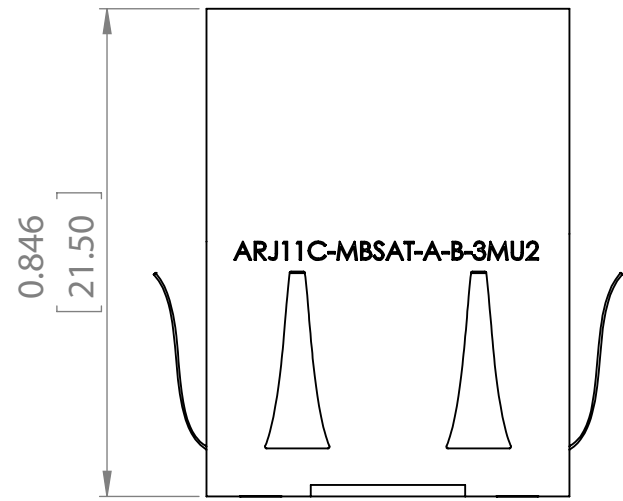
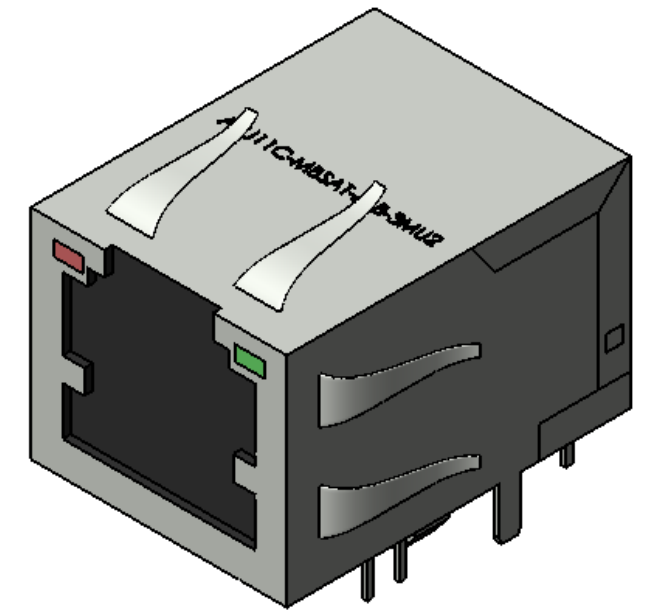
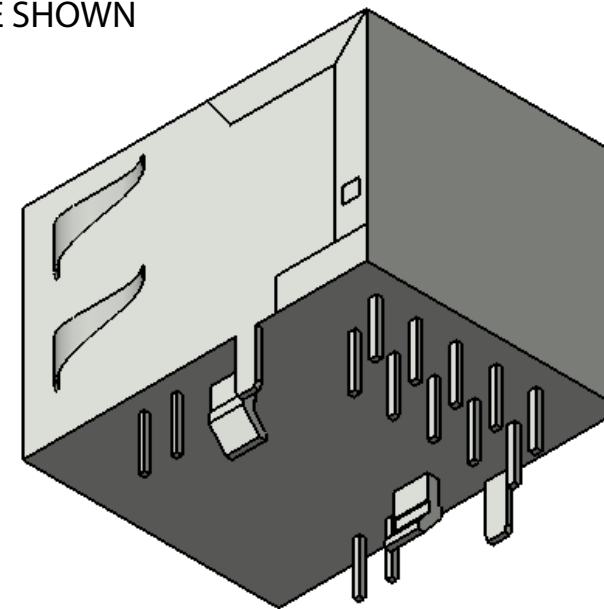


MB



PC BOARD LAYOUT
COMPONENT SIDE SHOWN



UNLESS OTHERWISE SPECIFIED: DIMENSIONS ARE IN MM SURFACE FINISH: TOLERANCES: LINEAR: ANGULAR:				FINISH:		DEBUR AND BREAK SHARP EDGES		DO NOT SCALE DRAWING		REVISION	
DRAWN SAAZVAT				SIGNATURE		DATE					
CHK'D XXXXXX								30332 Esperanza, Rancho Santa margarita, California 92688			
APP'VD								TITLE: RJ45			
MFG								DWG NO. ARJ11C-MBSAT-A-B-3MU2			
Q.A						MATERIAL:		A3			
						WEIGHT:		SCALE:3:1 SHEET 1 OF 1			