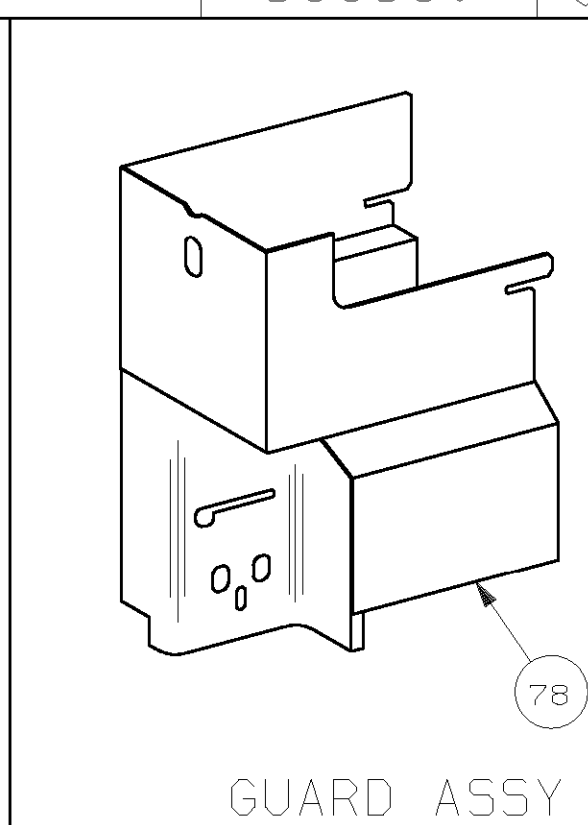
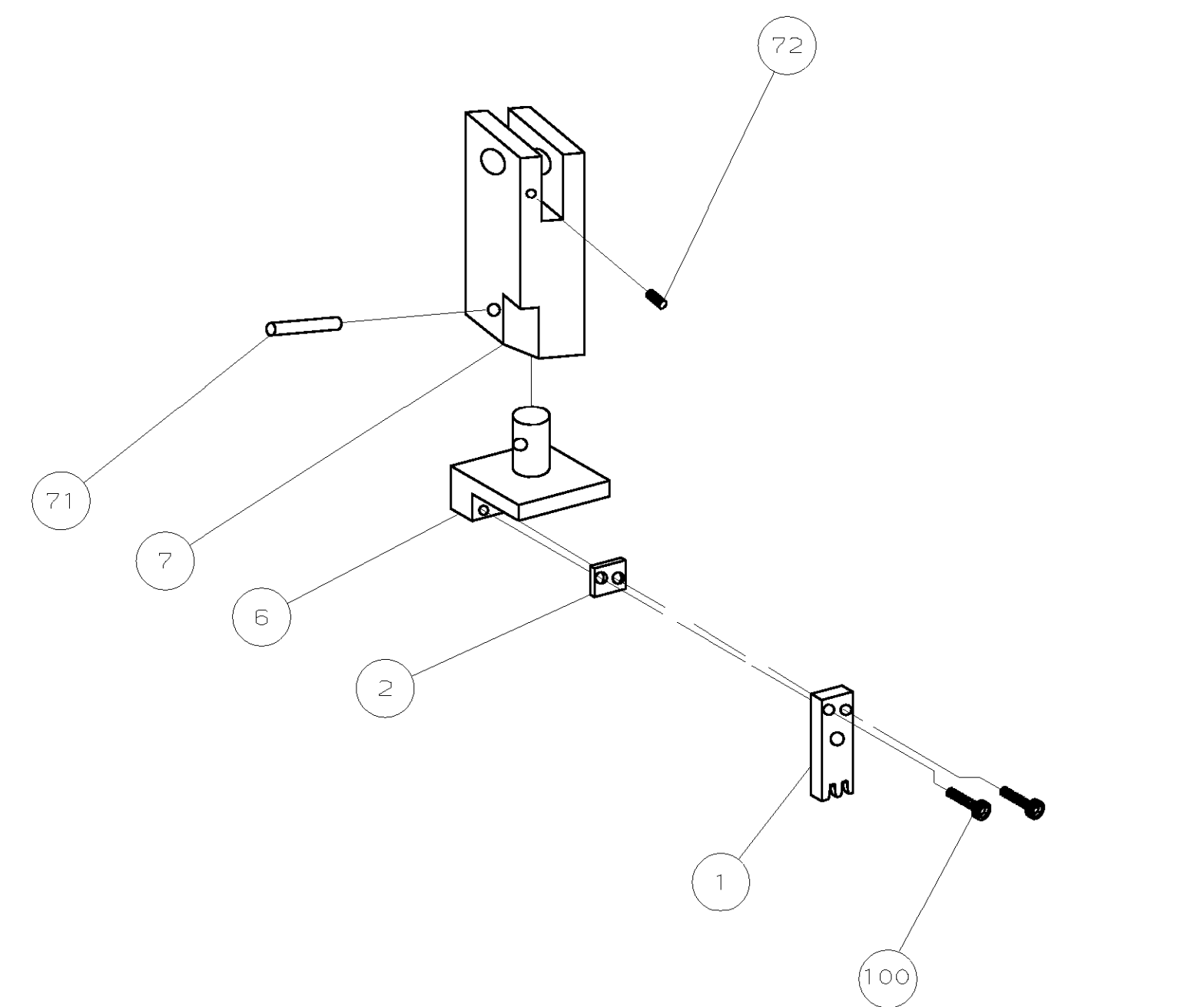


| PART NUMBER | REV | FIRST USED |
|-------------|-----|------------|
| 566380-1 | C | 1-471273-3 |

- 1 RECOMMENDED SPARE PARTS.
- 2 SPECIAL APPLICATOR TO CRIMP 2 MAGMATE TERMINALS IN A BOBBIN.



| TERMINAL NAME: | | MAGMATE | |
|----------------|------|---------|-----------|
| | | 63039 | |
| TERM | APPL | SPEC | 114-02047 |

| CRIMPING DATA | | | |
|---------------------|--------------|-------------|--------|
| - | CRIMP HEIGHT | WIRE SIZE | |
| - | .028 | 26 MAG | |
| - | - | - | |
| - | - | - | |
| - | - | - | |
| CRIMP | SIZE | TYPE | RANGE |
| WIRE | .055 | F | - |
| INSUL | - | - | - |
| FEED | APPL INST | SET UP GAGE | LAYOUT |
| - | 40B | - | L1593 |
| WIRE STRIP LENGTH - | | | |

| | | | | | |
|---|---|---|------------|--------------------------------|-----|
| - | - | - | - | 125 | |
| - | - | - | - | 124 | |
| - | - | - | - | 123 | |
| - | - | - | - | 122 | |
| - | - | - | - | 121 | |
| - | - | - | - | 120 | |
| - | - | - | - | 119 | |
| - | - | - | - | 118 | |
| - | - | - | - | 117 | |
| - | - | - | - | 116 | |
| - | - | - | - | 115 | |
| 1 | - | A | 21018-7 | NUT, HEX 10-32 | 114 |
| 3 | - | A | 371178 | BASE MOUNT WASHER | 113 |
| 3 | - | A | 3-21015-1 | SCR, HEX HD 3/8-16 X 1.00 | 112 |
| - | - | - | - | - | 111 |
| - | - | - | - | - | 110 |
| - | - | - | - | - | 109 |
| - | - | - | - | - | 108 |
| - | - | - | - | - | 107 |
| - | - | - | - | - | 106 |
| 1 | - | A | 23673-1 | KNOB, FLUTED | 105 |
| 1 | - | A | 1-815303-0 | ROD, THREADED 10-32 | 104 |
| - | - | - | - | - | 103 |
| 1 | - | A | 2-21002-4 | SCR, BHC 8-32 X .75 | 102 |
| - | - | - | - | - | 101 |
| 3 | - | A | 21001-6 | SCR, SHC 1/4-20 X 1.00 | 100 |
| - | - | - | - | - | 99 |
| 1 | - | A | 2-23057-3 | PLUNGER, BALL 8-32 | 98 |
| 1 | - | A | 21024-8 | WASHER, LOCK #3/8 | 97 |
| 1 | - | A | 3-21001-6 | SCR, SHC 3/8-16 X 1.25 | 96 |
| 2 | - | A | 1-21000-9 | SCR, SHC 6-32 X .38 | 95 |
| 2 | - | A | 2-21000-7 | SCR, SHC 8-32 X .50 | 94 |
| 1 | - | A | 2-21000-6 | SCR, SHC 8-32 X .38 | 93 |
| 4 | - | A | 2-21000-9 | SCR, SHC 8-32 X .75 | 92 |
| 3 | - | A | 3-21000-0 | SCR, SHC 8-32 X .88 | 91 |
| - | - | - | - | - | 90 |
| 1 | - | A | 3-21008-0 | SCR, SET SELF-LOC 6-32 X .32 | 89 |
| 2 | - | A | 21001-3 | SCR, SHC 1/4-20 X .62 | 88 |
| - | - | - | - | - | 87 |
| - | - | - | - | - | 86 |
| - | - | - | - | - | 85 |
| - | - | - | - | - | 84 |
| - | - | - | - | - | 83 |
| - | - | - | - | - | 82 |
| - | - | - | - | - | 81 |
| - | - | - | - | - | 80 |
| - | - | - | - | - | 79 |
| 1 | - | B | 217940-1 | GUARD ASSY | 78 |
| - | - | - | - | - | 77 |
| - | - | - | - | - | 76 |
| - | - | - | - | - | 75 |
| - | - | - | - | - | 74 |
| - | - | - | - | - | 73 |
| 1 | - | A | 2-21549-3 | SCR, SET SELF-LOC 1/4-20 X .50 | 72 |
| 1 | - | A | 6-21029-9 | PIN, SLOTTED SPR .312 X 1.50 | 71 |

| | | | | | |
|---|---|---|------------|------------------|----|
| - | - | - | - | - | 70 |
| - | - | - | - | - | 69 |
| - | - | - | - | - | 68 |
| - | - | - | - | - | 67 |
| - | - | - | - | - | 66 |
| - | - | - | - | - | 65 |
| - | - | - | - | - | 64 |
| - | - | - | - | - | 63 |
| - | - | - | - | - | 62 |
| 1 | - | B | 452373-1 | PLATE I.D. | 61 |
| 3 | - | A | 21017-6 | SCR, RH DRIVE | 60 |
| - | - | - | - | - | 59 |
| - | - | - | - | - | 58 |
| - | - | - | - | - | 57 |
| - | - | - | - | - | 56 |
| - | - | - | - | - | 55 |
| - | - | - | - | - | 54 |
| - | - | - | - | - | 53 |
| - | - | - | - | - | 52 |
| - | - | - | - | - | 51 |
| - | - | - | - | - | 50 |
| - | - | - | - | - | 49 |
| 1 | - | C | 570238 | BASE MOUNT | 48 |
| 1 | - | B | 465317-1 | BASE PLATE | 47 |
| - | - | - | - | - | 46 |
| - | - | - | - | - | 45 |
| 1 | - | B | 189432-1 | ANVIL | 44 |
| - | - | - | - | - | 43 |
| 1 | - | C | 356354-2 | PLATE, RETAINING | 42 |
| - | - | - | - | - | 41 |
| 1 | - | C | 224311-2 | BASE BLOCK | 40 |
| - | - | - | - | - | 39 |
| - | - | - | - | - | 38 |
| 1 | - | B | 356434-1 | HOLDER, BOBBIN | 37 |
| - | - | - | - | - | 36 |
| - | - | - | - | - | 35 |
| - | - | - | - | - | 34 |
| - | - | - | - | - | 33 |
| 1 | - | C | 356354-1 | PLATE, RETAINING | 32 |
| - | - | - | - | - | 31 |
| - | - | - | - | - | 30 |
| - | - | - | - | - | 29 |
| - | - | - | - | - | 28 |
| 1 | - | A | 356353-1 | STRIPPER | 27 |
| 1 | - | B | 189450-1 | MOUNT, STRIPPER | 26 |
| - | - | - | - | - | 25 |
| - | - | - | - | - | 24 |
| - | - | - | - | - | 23 |
| - | - | - | - | - | 22 |
| - | - | - | - | - | 21 |
| - | - | - | - | - | 20 |
| - | - | - | - | - | 19 |
| - | - | - | - | - | 18 |
| - | - | - | - | - | 17 |
| - | - | - | - | - | 16 |
| - | - | - | - | - | 15 |
| - | - | - | - | - | 14 |
| - | - | - | - | - | 13 |
| - | - | - | - | - | 12 |
| - | - | - | - | - | 11 |
| - | - | - | - | - | 10 |
| - | - | - | - | - | 9 |
| - | - | - | - | - | 8 |
| 1 | - | B | 471167 | RAM | 7 |
| 1 | - | B | 314894-1 | TOOL HOLDER | 6 |
| - | - | - | - | - | 5 |
| - | - | - | - | - | 4 |
| - | - | - | - | - | 3 |
| 1 | - | B | 314896-2 | SPACER | 2 |
| 1 | - | C | 5-565086-2 | CRIMPER, WIRE | 1 |

| QTY | U/M | DWG SIZE | PART NO | DESCRIPTION | ITEM NO |
|-----|-----|----------|---------|---|---------|
| - | - | - | - | REVISION OF EACH ASSY NO (WHEN BLANK, USE DWG REVISION) | - |

| QTY | U/M | DWG SIZE | PART NO | DESCRIPTION | ITEM NO |
|-----|-----|----------|---------|---|---------|
| - | - | - | - | REVISION OF EACH ASSY NO (WHEN BLANK, USE DWG REVISION) | - |

THIS DRAWING IS UNCLASSIFIED
 DATE 12/15/99 BY AMP INCORPORATED. ALL RIGHTS RESERVED.
 LOC A
 DIST 4
 AMP 1756 REV 12-89

DIMENSIONS IN INCHES. DO NOT SCALE PRINT.
 TOLERANCES UNLESS OTHERWISE SPECIFIED:
 2 PLC DEC ±
 3 PLC DEC ±
 4 PLC DEC ±
 ANGLES ±
 SURF TEXTURE: ✓
 REMOVE BURRS, BREAK SHARP EDGES R.015 MAX

MATL - HT TR - FIN -
 DR P.MATHIAS 7-19-93 APP 7-21-93
 B.WOLFE
 CHK 7-20-93 REL 8/5/93
 C.ERISMAN B. MORGAN

AMP AMP Incorporated
 Harrisburg, PA 17105-3608

NAME DUAL STD APPL (45° ROTATED MAGMATE) MACHINE REF STD APPL
 SCALE 1:4 DWG NO 566380 SHEET 1 OF 1 REV C

CASE CODE 00779 CUSTOMER AND ASSEMBLY DRAWING 1 RESTRICTED TO