

Customer Information Sheet

DRAWING No.: H8504-XX

SHEET 2 OF 2

IF IN DOUBT - ASK

©

NOT TO SCALE

THIRD ANGLE PROJECTION

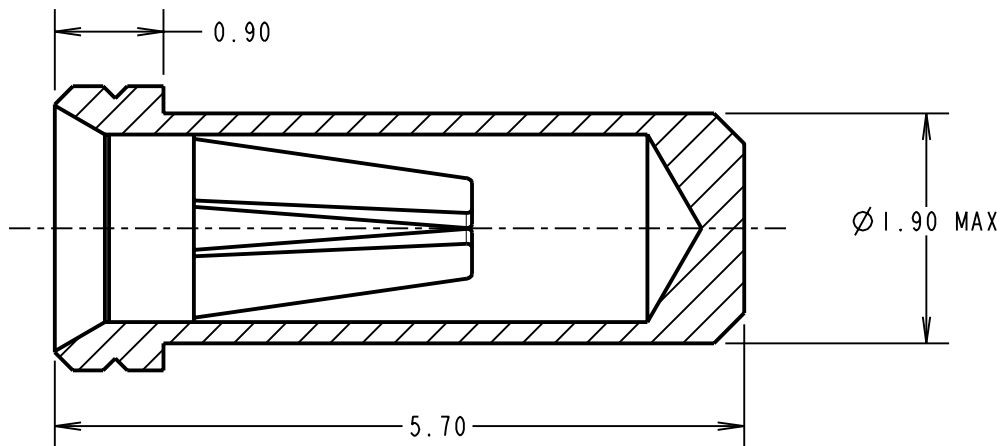
ALL DIMENSIONS IN mm

ORDER CODE:

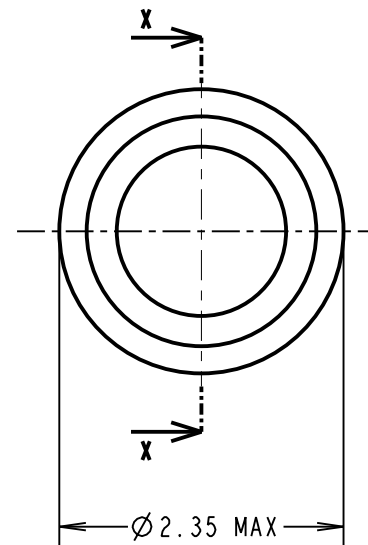
H8504-XX

FINISH:

- 01 = 100% TIN SHELL, GOLD CLIP
- 05 = GOLD SHELL, GOLD CLIP
- 46 = 100% TIN SHELL, 100% TIN CLIP



SECTION X-X



SPECIFICATION:

MATERIAL:

CONTACT SHELL = BRASS
CONTACT CLIP = BERYLLIUM COPPER

FINISH:

- 01 = 4 μ 100% TIN SHELL, 0.15 μ GOLD CLIP
- 05 = 0.1 μ GOLD SHELL, 0.15 μ GOLD CLIP
- 46 = 4 μ 100% TIN SHELL, 3 μ 100% TIN CLIP

ELECTRICAL:

CURRENT RATING AT 25°C = 10A MAX
CURRENT RATING AT 85°C = 7.5A MAX
CONTACT RESISTANCE = 25 m Ω MAX

MECHANICAL:

INSERTION FORCE (\varnothing 0.8mm GAUGE) = 5N MAX, 1.5N MIN
WITHDRAWAL FORCE (\varnothing 0.8mm GAUGE) = 3.0N MAX, 1.0N MIN
DURABILITY:

- 01, 05 = 1000 OPERATIONS
- 46 = 100 OPERATIONS

ENVIRONMENTAL:

OPERATING TEMPERATURE = -55°C TO +125°C

PACKING:

BAG

NOTES:

1. FOR ELECTRICAL/MECHANICAL SPECIFICATION, SEE COMPONENT SPECIFICATION C010XX (LATEST ISSUE).
2. MAXIMUM PIN LENGTH = 4.65mm.
3. RECOMMENDED MOUNTING HOLE SIZE = \varnothing 2.01-1.91mm.
4. RECOMMENDED MATING PIN SIZE = \varnothing 0.85-0.60mm.
5. MAXIMUM CONTACT DEPTH = 3.30mm.

| | | | |
|-------------------------|------|----------|--------|
| SM | 12 | 16.06.10 | 10837 |
| NAME | ISS. | DATE | C/NOTE |
| APPROVED: S. MCCULLAGH | | | |
| CHECKED: R. ADDE | | | |
| DRAWN: A. J. FILLINGHAM | | | |
| CUSTOMER REF.: | | | |
| ASSEMBLY DRG: | | | |

HARWIN

| | | |
|--|--|--|
| HARWIN USA TEL: 603 893 5376 FAX: 603 893 5396 mis@harwin.com | HARWIN Europe (UK) TEL: 023 9231 4545 FAX: 023 9231 4590 mis@harwin.co.uk | HARWIN Asia TEL: +65 6 779 4909 FAX: +65 6 779 3868 mis@harwin.com.sg |
|--|--|--|

THIS DRAWING AND ANY INFORMATION OR DESCRIPTIVE MATTER SET OUT HEREON ARE CONFIDENTIAL AND COPYRIGHT PROPERTY OF THE HARWIN GROUP AND MUST NOT BE DISCLOSED, LOANED, COPIED OR USED FOR MANUFACTURING, TENDERING OR FOR ANY OTHER PURPOSE WITHOUT THEIR WRITTEN PERMISSION.

TOLERANCES

- X. = \pm 1mm
- X.X = \pm 0.25mm
- X.XX = \pm 0.10mm
- X.XXX = \pm 0.01mm

ANGLES = \pm 5°

UNLESS STATED

MATERIAL:

SEE ABOVE

FINISH: SEE ABOVE

S/AREA:

mm²

TITLE:

\varnothing 0.8mm SOCKET ASSEMBLY

DRAWING NUMBER:

H8504-XX

SHT
2
OF 2