



Simplifying System Integration™

73M1822 Keychain Demo Board User Manual

March 9, 2010
Rev. 5.0
UM_1822_007

© 2010 Teridian Semiconductor Corporation. All rights reserved.
Teridian Semiconductor Corporation is a registered trademark of Teridian Semiconductor Corporation.
Simplifying System Integration is a trademark of Teridian Semiconductor Corporation.
MicroDAA is a registered trademark of Teridian Semiconductor Corporation.
Microsoft is a registered trademark of Microsoft Corporation.
Windows is a registered trademark of Microsoft Corporation.
All other trademarks are the property of their respective owners.

Teridian Semiconductor Corporation makes no warranty for the use of its products, other than expressly contained in the Company's warranty detailed in the Teridian Semiconductor Corporation standard Terms and Conditions. The company assumes no responsibility for any errors which may appear in this document, reserves the right to change devices or specifications detailed herein at any time without notice and does not make any commitment to update the information contained herein. Accordingly, the reader is cautioned to verify that this document is current by comparing it to the latest version on <http://www.teridian.com> or by checking with your sales representative.

Teridian Semiconductor Corp., 6440 Oak Canyon, Suite 100, Irvine, CA 92618
TEL (714) 508-8800, FAX (714) 508-8877, <http://www.teridian.com>

Table of Contents

1	Introduction	5
1.1	Package Contents.....	6
1.2	Safety and ESD Notes	6
1.3	Demo Board Options.....	6
2	Connectors	7
3	Software Description.....	8
3.1	System Initialization	8
3.2	73M1822 System Initialization.....	9
3.3	Off-Hook Procedure	11
3.4	Dialing	12
3.4.1	DTMF Dialing.....	12
3.4.2	Pulse Dialing.....	12
3.4.3	Adaptive Dialing.....	14
3.5	LINE Sensing.....	15
3.5.1	Line-In-Use (LIU) - Prior to the Modem Going Off-Hook.....	16
	LIU Check Procedure.....	17
3.5.2	Parallel Pick Up (PPU) - While the Modem is Off-Hook.....	17
3.5.3	PPU Check Procedure.....	18
3.6	Ring Detect.....	18
3.6.1	Ring Detection Setup with Hardware Ring Qualifier	19
3.6.2	Ring Detection Using Coarse Ring Output.....	20
3.7	Line Polarity Reversal Detection.....	20
3.8	Line Snoop / Type I Caller ID Detection.....	21
4	Demo Board Schematics, PCB Layouts and Bill of Materials	24
4.1	Schematic.....	24
4.2	73M1822 MicroDAA Demo Board PCB Layout	25
4.2.1	73M1822 42-Pin QFN Keychain Demo Board Layout	25
4.2.2	Keychain Demo Board Physical Dimensions	27
4.3	Bill of Materials	28
4.4	Pin Descriptions.....	28
4.4.1	731822 Pinout.....	30
5	Related Documentation.....	31
6	Contact Information.....	31

Figures

Figure 1: MicroDAA System Block Diagram	5
Figure 2: 73M1822 Register Polling	8
Figure 3: Off-Hook Procedure	12
Figure 4: Pulse Dialing Sequence	13
Figure 5: Dialing	14
Figure 6: Adaptive Dialing	15
Figure 7: Line-In-Use Detection	16
Figure 8: On-Hook TIP-RING DC Reading	17
Figure 9: Parallel Phone Off-Hook Detection	18
Figure 10: Ring Qualifier	19
Figure 11: Ring Detector	20
Figure 12: Line Polarity Reversal Detection	20
Figure 13: Caller ID Detection Path	21
Figure 14: 73M1822 Keychain Demo Board Schematic	24
Figure 15: 73M1822 Keychain Demo Board: Top Signal Layer and Silk Screen	25
Figure 16: 73M1822 Keychain Demo Board: Layer 2, Ground Plane	25
Figure 17: 73M1822 Keychain Demo Board: Layer 3, Supply Plane	26
Figure 18: 73M1822 Keychain Demo Board: Bottom Signal Layer and Silk Screen	26
Figure 19: 73M1822 QFN 42-Pin Package: Pinout (top view)	30

Tables

Table 1: Host Interface JP2 Connector Pinout	7
Table 2: Line Interface JP1 Connector Pinout	7
Table 3: 73M1822 Keychain Demo Board Bill of Materials	28
Table 4: 73M1822 42-Pin QFN Package Pin Definitions	29

1 Introduction

The 73M1822 Keychain Demo Board integrates silicon Data Access Arrangement (DAA) function along with Analog Front End functions chipsets for worldwide compliance.

The 73M1822 MicroDAA is the world's first single chip silicon DAA IC that perform the advanced silicon Data Access Arrangement (DAA) function along with Analog Front End functions.

The 73M1822 MicroDAA is available in a 42 pin QFN package for a very small physical dimension and offers low cost global DAA design.

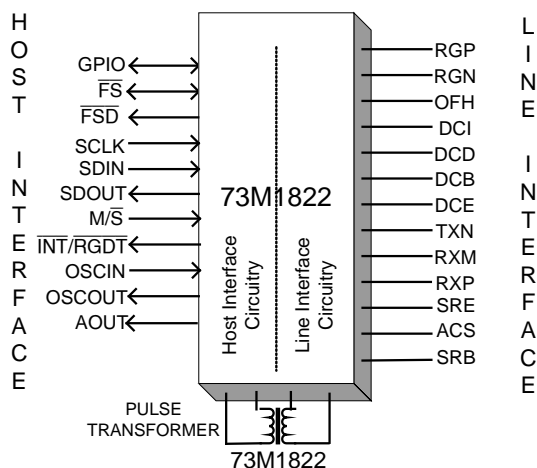
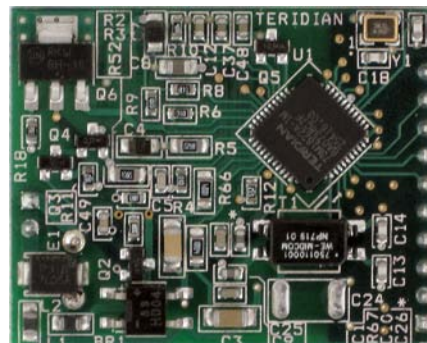


Figure 1: MicroDAA System Block Diagram

The 73M1822 performs a modem codec function that interfaces a Host/DSP and the PSTN (Public Switched Telephone Network). The codec supports data rates up to V.92 with call progress signaling. In addition to the codec function, the 73M1822 MicroDAA also performs other necessary DAA functions, such as CID (caller identification), ring detection, tip/ring polarity reversal detection, on/off hook switch control, pulse dialing, regulation of loop current (DC-IV), line impedance matching, line in use and parallel pickup detection.

All data and control information between the LIC and the HIC is transferred across a low cost pulse transformer barrier. Also all clock and synchronization information needed in LIC is embedded in this data and control bit stream across the barrier transformer received from HIC and reconstructed within LIC. The LIC interface to tip/ring of the PSTN significantly lowers the number of external components and their cost.

The DAA feature integrated in this device offers a configurable US, TBR21, or other World Wide DAA capability to the telephone line interface and an auxiliary DAC with gain control for line monitoring during the call progress period.

1.1 Package Contents

The 73M1822 Keychain Demo Board Kit includes:

- A 73M1822 Keychain Demo Board (Rev. D1)
- The following documents on CD:
 - *73M1822 Keychain Demo Board User Manual* (this document)
 - *73M1822/73M1922 Data Sheet*
 - *73M1822/73M1922 Schematic and Layout Guidelines*
 - *73M1x22 Worldwide Design Guide*

1.2 Safety and ESD Notes

Connecting live voltages to the Demo Board system will result in potentially hazardous voltages on the boards.



Extreme caution should be taken when handling the Demo Boards after connection to live voltages!



The Demo Boards are ESD sensitive! ESD precautions should be taken when handling these boards!

1.3 Demo Board Options

The 73M1822 Keychain Demo Board has 20-pin right angle connectors to plug on to a target DSP or CPU system. Each has a 3.3 V power receptacle for powering on-board circuits from target system or external power supply, or power can be supplied through the 20-pin connector along with the other signals. The 73M1822 Keychain Demo Board allows the evaluation of the 73M1822 device for universal modem, voice application and interface to a general DSP or CPU system use.

2 Connectors

Table 1 and Table 2 show all the connectors and jumpers available on 73M1822 Keychain Demo Board. JP2 is the main connector for interfacing to a host processor or DSP board. JP1 is a connector for phone line connection. Be aware that there is no high voltage and current protection circuit included in any Keychain Demo Boards. Make sure these protection circuit components are placed in between the telephone line and JP1 connector for a practical design. Line monitor/Call progress monitor speaker and driver circuits are not available on the Keychain Demo Boards. Refer to the 73M1822 Keychain Demo Board schematics for the protection circuit and Call Progress Monitor circuit references.

Table 1: Host Interface JP2 Connector Pinout

PIN Number	Name	Description
1	FSBD	Delayed FS
2	RINGD	Interrupt Output
3	VCC	3.3V Supply
4	RESET	Reset Input
5	AOUT	Call progress Monitor out
6	GND	Power Signal GND
7	FS	Frame Sync
8	SCLK	Serial Clock
9	AFEIN	Serial Data In
10	AFEOUT	Serial Data Out

Table 2: Line Interface JP1 Connector Pinout

PIN Number	Name	Description
1	TIP	Phone Line Connection
2	RING	Phone Line Connection

3 Software Description

3.1 System Initialization

This section describes software that is not provided with the 73M1822 Keychain Demo Board but must be provided by the Host system.

Once the system starts initialization, the system controller also needs to initialize the 73M1822 device set as one of its peripheral. Some registers contain both control and status bits which are read only. When using READ-MODIFY-WRITE to update an HIC register, care must be taken not to modify the status and control bits unintentionally.

Upon power on reset, the HIC registers that contains the copy of the LIC registers (Register 0x12 to Register 0x1F) will be initialized to the default reset value. When the power of LIC is fed from the HIC by setting the ENFEF bit (Register 0x0F Bit 7), LIC will be initialized with the default register value that are identical to the values in register copy in LIC. From this point, Any host control to the LIC register bits by writing to an HIC register which is copy of the LIC register will change both HIC and LIC maintaining images of each other unless data errors occur. In this situation, there is a LIC register polling mechanism to regain this synchronization by host control. Figure 2 illustrates how to re-synchronize the HIC and LIC registers by polling.

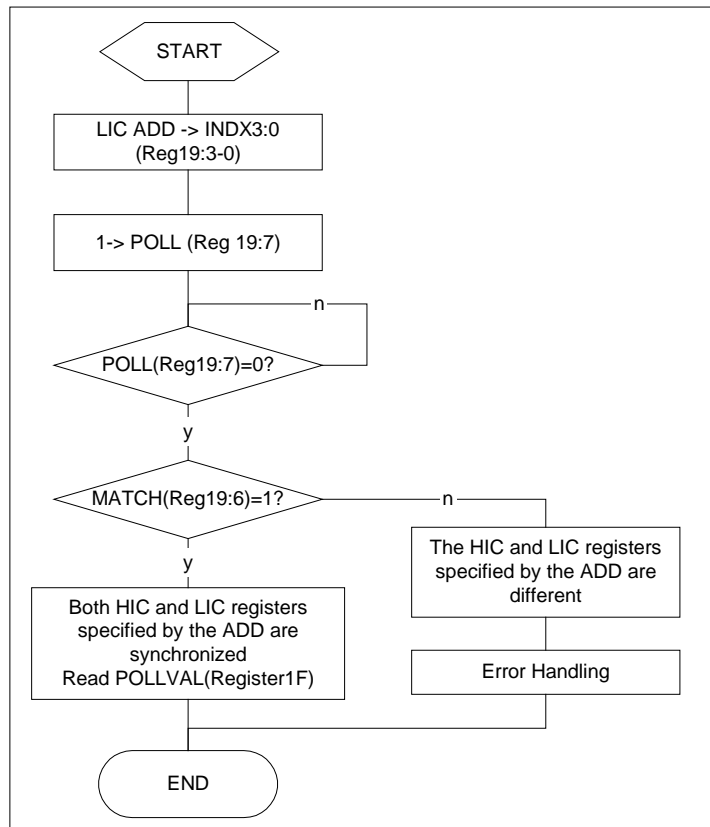


Figure 2: 73M1822 Register Polling

3.2 73M1822 System Initialization

The following example shows the sequence to bring the 73M1822 MicroDAA out of reset and to start up after power up.

NOTE: The 73M1822 MicroDAA does not have a power on reset circuit. For proper operation, a reset signal shall be asserted from the host by pulling the reset pin of 73M1822 low approximately for 100 ns or longer after the power is stabilized. The 73M1822 device will be ready to use within 100 μ s after the removal of reset pulse from the reset pin.

Resetting the 73M1822

The 73M1822 package does not have a dedicated reset pin due to pin restriction. An alternative reset can be asserted through the M/S pin (pin 21 of 73M1822 42-pin QFN).

Any low-to-high or high-to-low transition at this pin will result in internal reset block to initiate the reset process. So if the MAFE needs to be in MASTER configuration, the host needs to generate an active low reset signal as a reset signal at this pin. Use active high reset signal for SLAVE mode of MAFE applications.

- Power up the system.
- Wait for 3.3V power to be stable
- Pull M/S pin low for 100 ns then let it go high if the 73M1822 is in Master configuration. (Pull M/S pin high for 100 ns or longer then let it go low in case of slave configuration)
- Wait for 100 μ s for PLL, OSC to be stabilized

Initializing MicroDAA

A. Frame Synchronization

- RESET HC bit (Register 0x01 bit 0) in a frame sequence.
- RESET HC bit (Register 0x01 bit 0) in next frame sequence.
- Then the HIC is guaranteed to be in software controlled control frame mode, now. All the MAFE serial data shall be data only unless host request by setting bit 0 of data.

B. Control Frame Generation

Software Controlled Control Frame

- MASK CTL (TXD Bit 0) as 1 to request a subsequent control frame.
- Write or read the 73M1822 HIC register using the MAFE control data format.
- Make sure to MASK CTL (TXD bit 0) as 0 if the control frame is not needed.

Hardware Controlled Control Frame

- MASK TXD Bit 0 as 1 to request a subsequent control frame.
- SET HC bit (Register 0x01 bit0) using the MAFE control data format in the next frame.
- From now on, there will be data and control frames alternating. Make sure not to miss this sequence.

C. 73M1822 HIC Initialize

- Disable daisy chain by writing 00H to HIC Register 0x01.
- Configure either Hardware control frame or software control frame by selecting the HC bit (Register 0x02:0).
- Configure GPIOs by selecting GPIO Data (Register 0x03), GPIO Direction (Register 0x04), GPIO Interrupt Enable (Register 0x05) and Interrupt Polarity (Register 0x06).
- Timing Chain setup (Register 0x08 - - Register 0x0D). Register 0x0D value shall be written the last. Any other writes to Register 0x08 to Register 0x0C are not really affecting to the PLL until Register 0x0D is being written. It is also recommended to set CHNGFS (Register 0x0D:3) bit in case further sample rate changes are required for such as V.90 applications.
- Enable Analog Front End blocks by setting ENFEH bit (Register 0x0F:7). And put device active by clearing SLEEP bit (Register 0x0F:5).
- Select system clock driven from PLL by setting FRCVCO bit of Register 0x0E bit 7. (The FRCVCO bit shall be set at least 2 sample period after writing to Register 0x0D.)

D. LIC Init

73M1822 LIC initialization shall begin after the 73M1822 LIC part is fully powered up and initialized. From the HIC Initialization above, setting ENFE then the FRVCO bits will start powering the 73M1822 LIC. From this moment, the Host shall wait for 100 to 200ms for the 73M1822 LIC to be ready.

- Enable Front End functional blocks by setting ENFE bit (Register 0x12:2)
- Write 0x01 to Register 0x18.
- Select proper filter setting per each sample rate setting FSCTR bits (Register 0x16:3-0)
- Select proper AC impedance termination by setting ACZ31,0 (Register 0x17: 4,3)
- Enable receiver path by setting RXEN bit (Register 0x16:6)

Example 1. Using Software Controlled Control Frame:

```
static const U16 init_afe_config[] =           // Must have Data(LSB=1), Control,
                                              // Data(LSB=1), Control,.. FRAMES
{
  REG02|0x00, REG02|0x00,                    // Force to Software controlled control frame (HC=0)
  CTRL_FRAME, REG04|0x00,                    // GPIO 7,6,5,4 = outputs
  CTRL_FRAME, REG03|0x00,                    // GPIO 7,6,5,4 output data =0000
  CTRL_FRAME, REG05|0x00,
  CTRL_FRAME, REG06|0x00,
  CTRL_FRAME, REG07|0x00,
  CTRL_FRAME, REG08|AFE_CTRL08,              // Timing chain set up (Smample Rate)
  CTRL_FRAME, REG09|AFE_CTRL09,
  CTRL_FRAME, REG0A|AFE_CTRL0A,
  CTRL_FRAME, REG0B|AFE_CTRL0B,
  CTRL_FRAME, REG0C|AFE_CTRL0C,
  CTRL_FRAME, REG0D|AFE_CTRL0D,
  CTRL_FRAME, RWB|REG03,                     // Delay for 2 sample cycle time to
  CTRL_FRAME, RWB|REG03,                     // let PLL settle before Lockdet by dummy read
GPIO
  CTRL_FRAME, REG0F|0x8C                      // Set ENFE Bit, Reset Sleep Bit
  CTRL_FRAME, REG0E|0x80                      // Set FrVCO bit
};
note: CTRL_FRAME = 0x0001
```

Example 2. Using Automatic Control Frame (Hardware Controlled Control Frame):

```

static const U16 init_afe_config[] =           // MUST HAVE Dummy Data, Control, .. FRAMES
{
    REG02|0x00, REG02|0x00,                   // Force to Software controlled control frame
    CTRL_FRAME, REG02|HC,                     // Enable Hardware controlled control frame
    0x0000, REG04|0x00,                        // GPIO Direction
    0x0000, REG03|0x00,                        // GPIO Data
    0x0000, REG05|0x00,                        // GPIO interrupt control
    0x0000, REG06|0x00,                        // GPIO
    0x0000, REG07|0x00,
    0x0000, REG08|AFE_CTRL08,                  // Timing chain set up
    0x0000, REG09|AFE_CTRL09,
    0x0000, REG0A|AFE_CTRL0A,
    0x0000, REG0B|AFE_CTRL0B,
    0x0000, REG0C|AFE_CTRL0C,
    0x0000, REG0D|AFE_CTRL0D,
    0x0000, RWB|REG03,                          // Dummy Data, Delay for 2 sample cycle time to
    0x0000, RWB|REG03,                          // let PLL settle before Lockdet by dummy read GPIO
    0x0000, REG0F|0x8C                          // Set ENFE Bit, Reset Sleep Bit
    0x0000, REG0E|0x80                          // Set FrVCO bit
};

```

3.3 Off-Hook Procedure

Off-hook control in MicroDAA is different from that of a traditional DAA GPIO control mechanism. Due to the communication delay between host and MAFE through the barrier interface, and possible error over the channels, the Off-hook control of silicon DAA is quite complicated. The host controller needs to go through many steps starting from initiating a Off-hook command by setting the OFH bit and waiting for the status responses from the LIC and based on this status determine the next step to proceed.

The host controller has to manage all of the Normal On/Off hook sequence as shown in the following flow chart in Figure 3.

Off-Hook Procedure

- The MicroDAA system is in Barrier Power Mode. (ENLPW bit (Register 0x02:2) =0)
- Go off-hook by setting OFH (Register 0x12:7) to turn the DC path to the DCgm and Acgm and Shunt regulator blocks.
- Enable DCgm that provides appropriate DC current/voltage control to the line by setting ENDC (Register 0x12: 6) bit.
- Enable ACgm to provide a AC impedance matching to the line by setting ENAC (Register 0x12: 5) bit.
- Enable Shunt loading ENSHL (Register 0x12:4) by writing 0xF6 to Register 0x12.
- Wait for 3 ms.
- Check if the voltage is too low by monitoring UVDET (Register 0x1E: 6) is set by interrupt or polling.
- If there is no abnormality (UVDET=1) detected, then go to nominal mode by setting ENNOM bit (Register 0x12:0) (Transition to NOMINAL Mode) → Done/Ready
- If the UVDET bit (Register 0x1E: 6) was set, then power down the Shunt Regulator by resetting ENSHL (Register 0x12: 4).
- Wait for 3 ms.
- Check if UVDET (Register 0x1E: 6) is set by interrupt or polling.
- If no abnormality detected, then go to nominal mode by setting EnNOM bit (Register 0x12:0) (Transition to NOMINAL Mode) → Done/Ready.
- If there is an abnormality still, then determine the cause such as phone line is unplugged.

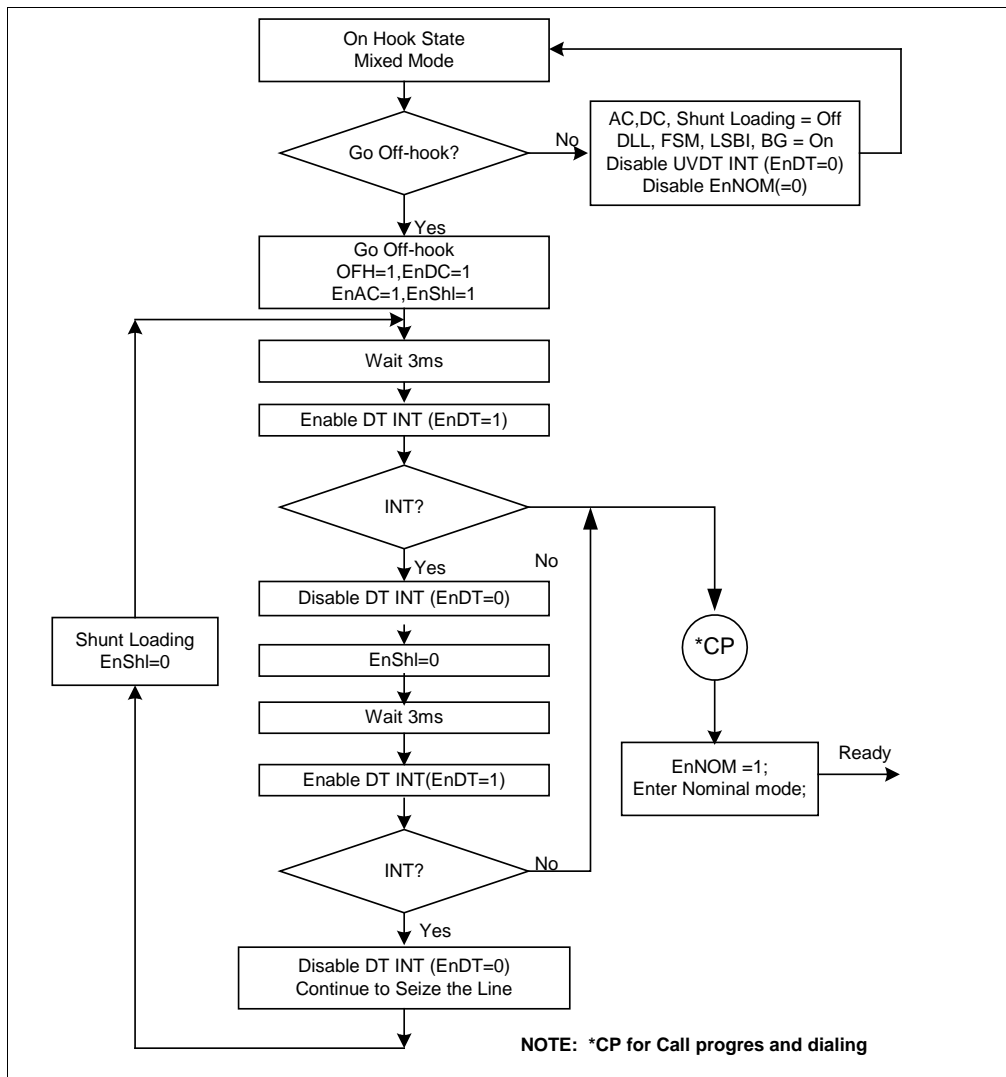


Figure 3: Off-Hook Procedure

3.4 Dialing

3.4.1 DTMF Dialing

DTMF is considered to be a part of the modem signal. The DTMF signals can be generated by the host DSP in a way similar to the other modem signals and transmitted to the line through a series of TBS data frames sent from HIC to LIC. After the system going to off-hook, call progress monitoring and dialing can be executed as shown in Figure 5.

3.4.2 Pulse Dialing

Pulse dialing can be performed by a host control. Figure 4 and Figure 5 show the control procedure of pulse dialing with MicroDAA. A tone dialing can follow a normal off-hook procedure. An alternative off-hook sequence is shown in Figure 6 with pulse dialing mode enabled. After dialing the last pulse digit, and just before going to an on-line (data) mode, setting the ENLPW bit (Register 0x12: 2) would bring the line power to the 73M1822 LIC. The ENNOM (Register 0x12:0) bit setting will end the Pulse dialing to get into the normal data mode. There is delay from an OFH software bit control to actual out of the OFH hardware pin due to the barrier interface.

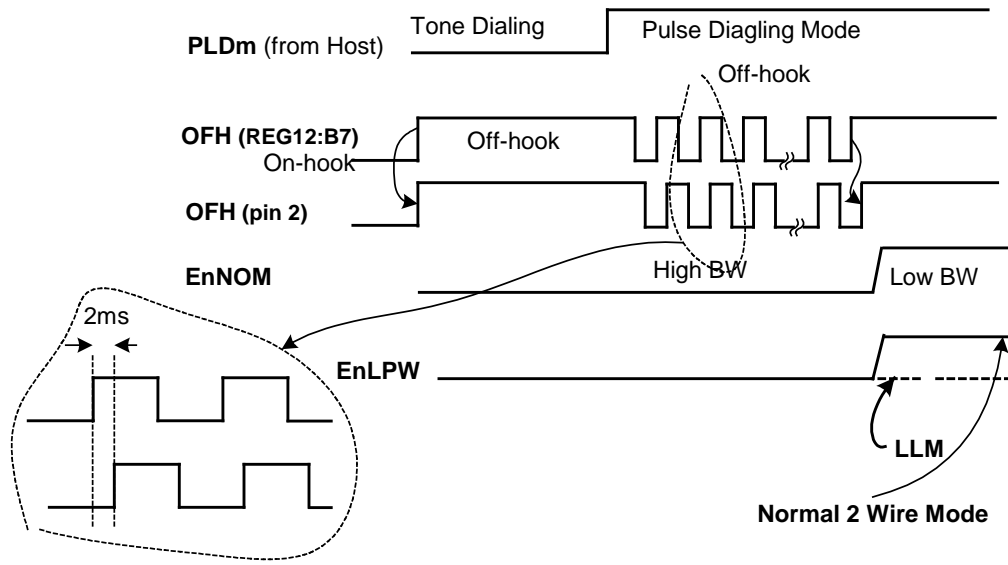


Figure 4: Pulse Dialing Sequence

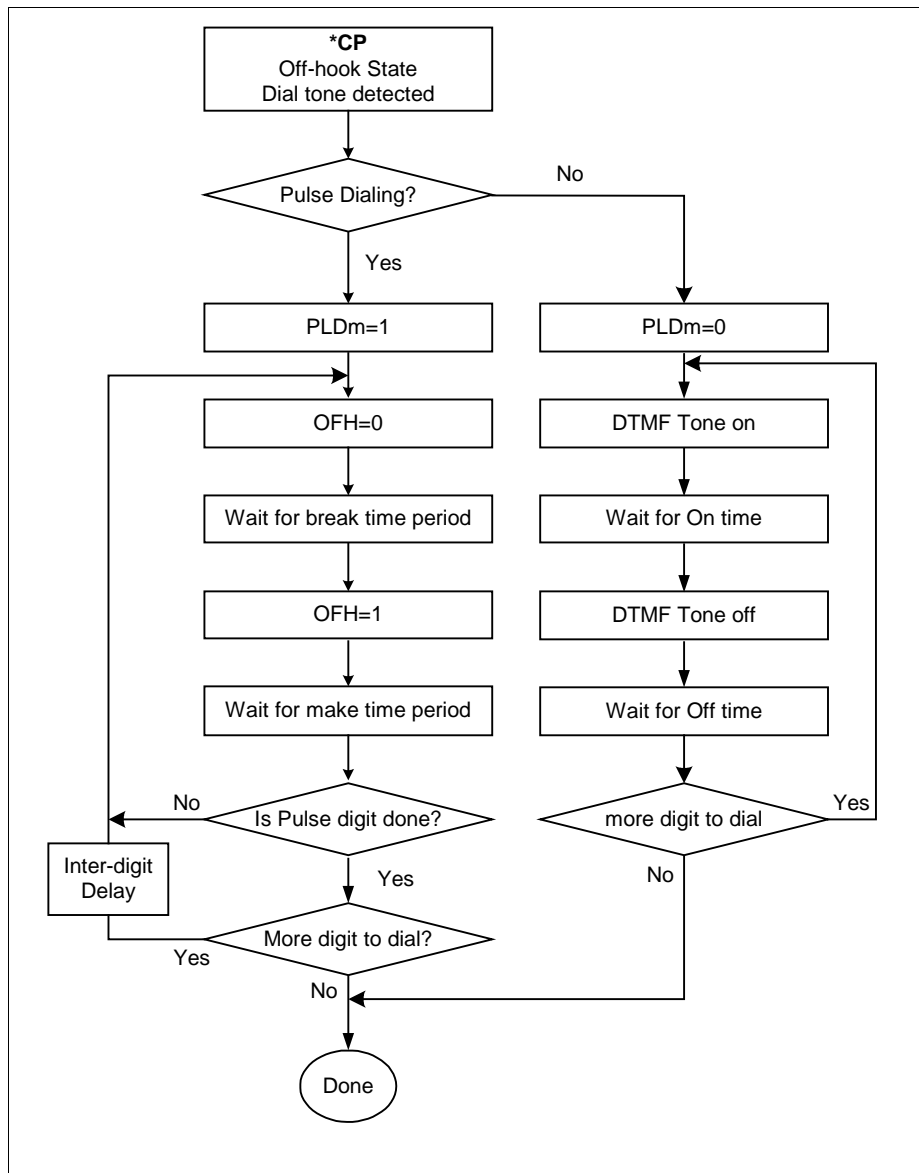


Figure 5: Dialing

3.4.3 Adaptive Dialing

Adaptive dialing is a combination of DTMF and Pulse dialing. The MicroDAA system goes into an off-hook condition without setting the EnNOM bit. First the dial tone detection is used to see if the line supports DTMF by starting with DTMF dialing. After dialing the first digit using DTMF, if the dial tone disappears, continue on tone dialing. If the dial tone is still present after sending a DTMF tone, the line cannot support tone dialing so the system will dial in pulse mode from the first digit again. The host sets the EnNOM bit after the dialing and call progress processing are done, but before the modem connection.

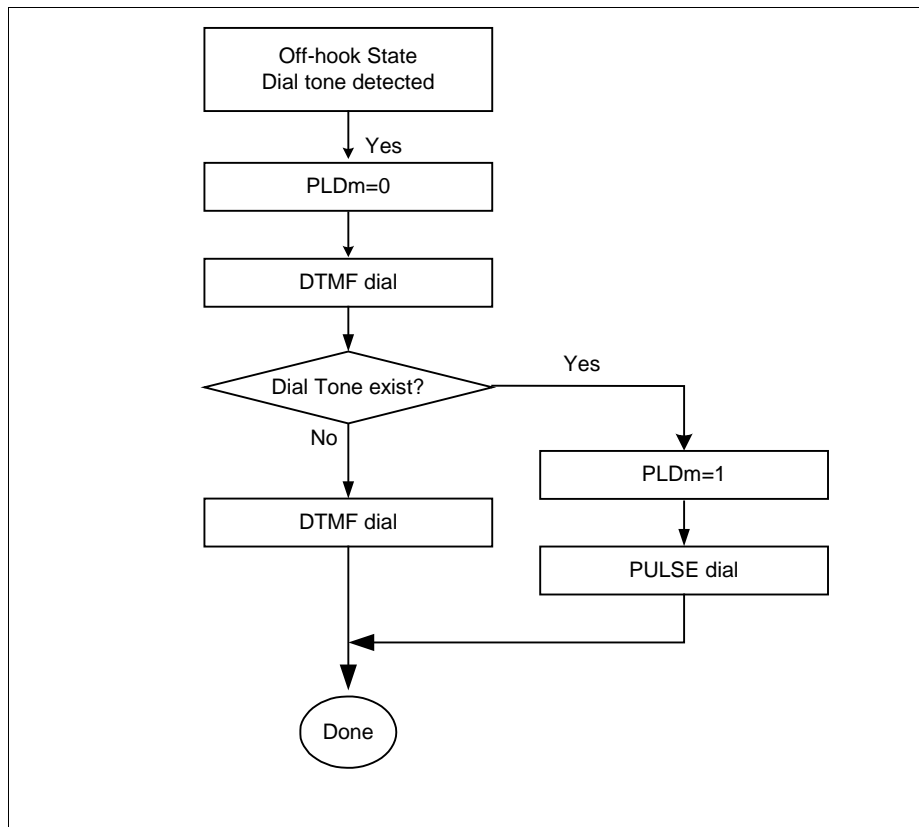


Figure 6: Adaptive Dialing

3.5 LINE Sensing

For modems used in set-top boxes and fax applications, the modem lines are typically bridged onto the same phone line that provides telephone service to the household. In this type of installation, the modem is required to determine whether someone is using the shared phone line or not. There are two types of shared phone line activity detection. While the target system (MicroDAA) is on-hook and the line is being used by another device such as telephone, the target system should not go off-hook and interrupt the other device. This feature is called line in use (LIU) detection. The other feature is called parallel pick-up detection (PPU). While the target system is using the phone line (off-hook), if another device sharing the same line goes off-hook, the target system should free up the line by going on-hook immediately and releasing the line to the other device. In most cases the 73M1822-based product will have the lowest priority. In cases where the product is an alarm, it may have the highest priority and other devices should give up the line. The MicroDAA is capable of supporting this feature without additional external components.

The line-sensing task is shared by HIC and LIC. The LIC, continuously, monitors the line with integrated auxiliary A/D and sends the raw A/D measurement samples to the HIC over the barrier. The HIC interprets this data for decisions under host control.

There are three user monitor outputs available from the auxiliary A/D: The first one is from RNG+/RNG- output specifically designated for ring detection. The second one is from the DCI pin that monitors the Tip and Ring line DC voltage for Line-In-Use (LIU) and Parallel Phone Pick-Up (PPU) detection. The last one is from DCS pin monitoring the voltage drop across the Re to observe the DC current during off hook.

3.5.1 Line-In-Use (LIU) - Prior to the Modem Going Off-Hook

Before the modem goes to off-hook to occupy the phone line, modem needs to check whether the phone line is already in use for a voice call. The timing of the modem's off-hook transition can be delayed until the modem determines that the phone line is available. Monitoring the TIP can do the LIU detection and RING voltage indirectly by measuring the DV voltage at DCI pin with the Aux A/D integrated in 73M1822 LIC.

Both line in use (LIU) and parallel phone pickup (PPU) detection are required feature set of most embedded modem applications that share the phone line with household phone. A line DC voltage monitoring of the Tip and Ring before going off-hook enables detecting LIU, preventing human conversation being disturbed by modem to go off-hook when someone else in the household is already using the phone.

Monitoring the Tip and Ring voltage can also be used to indicate an extension pickup while off-hook. The voltage will drop lower by the phone DC impedance (R_p) parallel to the MicroDAA DC resistance R_{daa} , indicating another extension has gone off-hook on the same line.

There are alternative methods to detect LIU and PPU, such as line energy detection. But the reliability and qualification time required to detect these, the line voltage measurement method described here is better than others and available at no cost with easier software implementation.

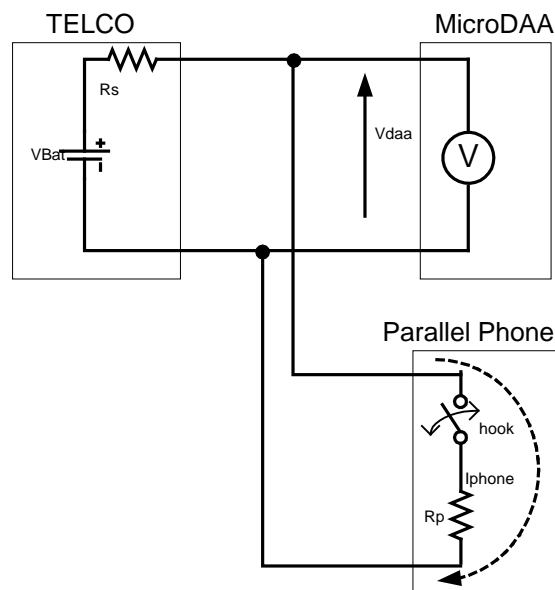


Figure 7: Line-In-Use Detection

As shown in Figure 7, the V_{daa} measured by the MicroDAA will be V_{bat} while the MicroDAA is on-hook condition and the parallel phone is on-hook, too. But the V_{daa} will drop to a following level when the parallel phone goes to off-hook stage.

$$V_{daa} = V_{bat} * R_p / (R_s + R_p)$$

Where R_p = the Parallel phone DC resistance, R_s = DC Source resistance of Telco.

The following is a recommended procedure for LIU implementation.

LIU Check Procedure

- 73M1822 system is in barrier power mode ready to go Off-hook.
- Read the AD converter sample from Register 0x1B. Then, calculate Tip/Ring voltage with $TRV = LV * 11mV * 101 + 1.4V$.
- Wait for 400 μs for Register 0x1B to be updated with new sample.
- Read the AD converter sample from Register 0x1B. Then, calculate the TIP and Ring voltage.
- Average these multiple TRV samples and compare with the LIU threshold value set. (i.e. 15 V).
- If the TRV is lower than the threshold, then the Line is in use and do not go off-hook.
- If the TRV is above the threshold and almost at 48V, then the line is idle to proceed to go off-hook.

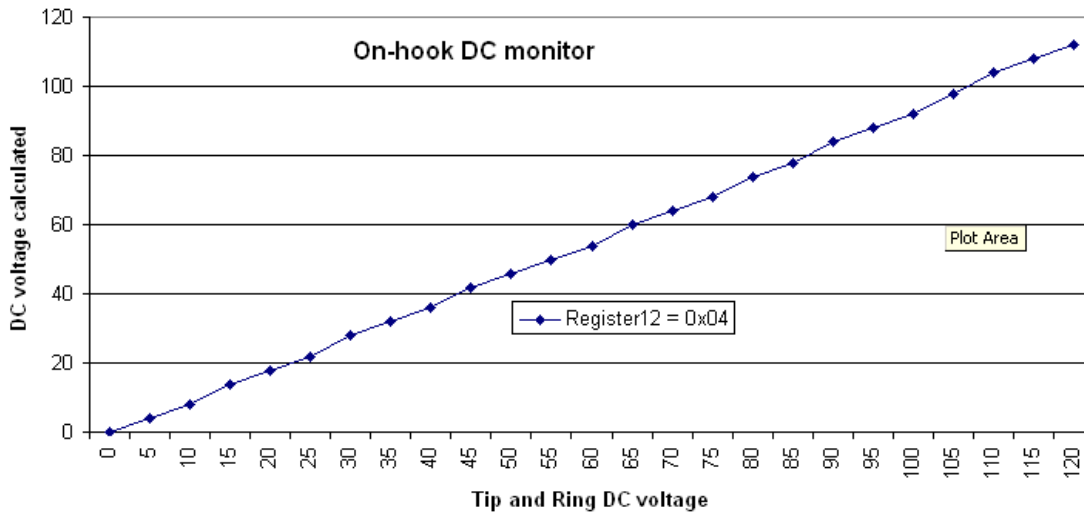


Figure 8: On-Hook TIP-RING DC Reading

3.5.2 Parallel Pick Up (PPU) - While the Modem is Off-Hook

If the modem is off-hook and engaged in a data call, it is desirable for the modem to detect the off-hook transition of the parallel phone and to immediately yield the phone line by going on-hook. Parallel phone pickup sensing is done by measuring the Tip and Ring DC voltage changes resulted from the DC loading changes to the line through the DCIN pin with the Aux A/D. As with Line-In-Use detection, the actual determination on PPU is done by the host. The 73M1822 simply relays the activity on the line.

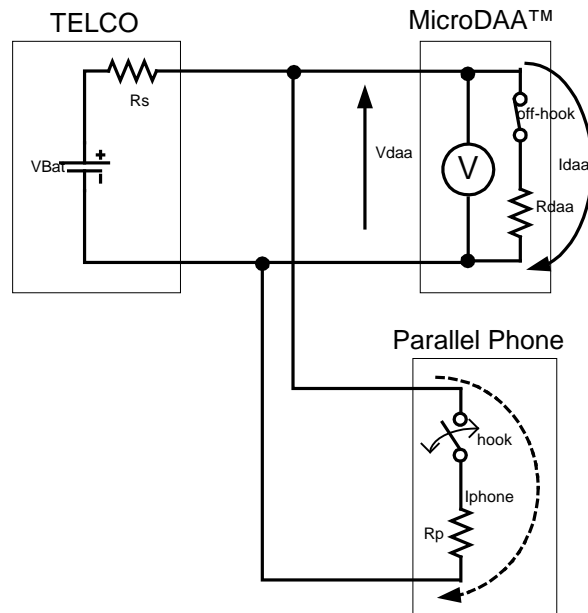


Figure 9: Parallel Phone Off-Hook Detection

As shown in Figure 9, the V_{daa} measured by the MicroDAA will be $V_{bat} * R_{daa} / (R_s + R_{daa})$ while the MicroDAA is off-hook condition and the parallel phone is on-hook, too. But the V_{daa} will drop lower to a following level when the parallel phone goes to off-hook stage.

$$V_{daa} = V_{bat} * (R_p / R_{daa}) / (R_s + (R_p / R_{daa}))$$

Where R_p = the Parallel phone DC resistance, R_{daa} = MicroDAA DC resistance and R_s = DC Source resistance of Telco.

3.5.3 PPU Check Procedure

- 73M1822 system is Off-hook in Data mode.
- Measure the TRV voltage by reading Register 1B by $TRV = LV * 11mV * 5 + 1.4V$. Average the multiple samples after the voltage settled down.
- Save this value for as a 73M1822 off-hook voltage reference.
- Periodically monitor the Tip and Ring DC voltage changes by reading the AD value from Register 0x1B and calculate the Tip and Ring voltage by $TRV = LV * 11mV * 5 + 1.4V$
- If there is a significant voltage change occurring suddenly, take multiple samples with 400 μs intervals for de-bouncing.
- Compare the average of these multiple TRV samples with the stored off-hook voltage reference.
- If the TRV is significantly lower than the reference off-hook voltage, then the parallel phone is off-hooked and 73M1822 will go on-hook immediately if required.
- If the TRV is nearly the same as the stored off-hook voltage, then the extension phone is not off hooked. Then modem can stay on for off-hook.

3.6 Ring Detect

Ring detection is done through circuitry connected to LIC pins RGP+ and RGN-. Any possible voltage transition will be a source for the “Wake up” signal to HIC. The 73M1822 then looks for a ringing frequency (typically 20 Hz). The ring qualification is done in 73M1822 by validating both the amplitude and frequency. The ring amplitude appears at RNG+ and RNG- pins is attenuated by 1/100 from the value at tip and ring by external 1M ohm resistor and internal circuit. The actual ring voltage can be calculated with the value of Aux A/D data appears in Rng7- Rng0 (Register 0x1A:7-0).

Both the Ring and Polarity Reversal Detection cases, the actual decision is made within 73M1822 by qualifying the activities on the line against the amplitude and period threshold provided by the Host.

Typical ring signal is in a sine wave format between 16 Hz to 60 Hz. (Typically 20 Hz). The amplitude varies by country specifications. There are countries require to detect the minimum levels, and not to detect the maximum levels. The ring sensitivity can be controlled by setting the RGTH1,0 bits in Register 0x0E.

A precision ring detection can be done by a CPU reading each ring samples appearing at Register 0x1A and determine voltage and frequency of the ring. Note: $1\text{LSB} = 1.31/128 = \sim 10.23\text{mV}$. Equivalent voltage at Tip and Ring = $100 * 10.23\text{mV} = 1.02\text{V}$. Magnitude only. If this register value read is 0x34, then the voltage at Aux A/D (Vad) is $0x34 * 10\text{mv} = 52 * 10.23\text{mV} = 532\text{mV}$. The ring voltage at Tip and ring is $100 * \text{Vad} = 53.2\text{V}$.

Given these conditions, the proper method for measuring the Tip and Ring voltage is:

- Input selection—Reset OFH bit
- Read the AuxADC value from Register 0x1A
- The 8-bit integer represents an ADC input voltage between 0 V and 263 V (full scale).

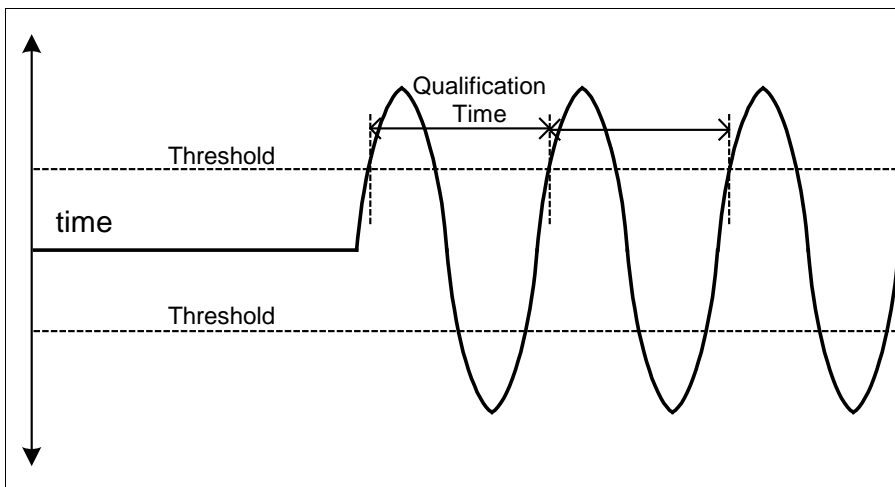


Figure 10: Ring Qualifier

3.6.1 Ring Detection Setup with Hardware Ring Qualifier

The ring qualifier output RGDT (Register 0x02:1) bit reflects the current status of ring. When this bit is set, there is a valid ring signal present at the tip and ring pin. The host can monitor the output of the ring qualifier by polling this bit periodically or by an interrupt by setting ENRGDT (Register 0x04:0) bit. The ring qualifier examines the ring signal both by the ring amplitude which is set by Rgth1 and Rgth0 bits (Register 0x0F:1-0) and by the ring frequency (time). The RGTH setting allows 3 different ring detection threshold settings at 15V, 30V and 45V with 1/100 ring divider setting by the hardware.

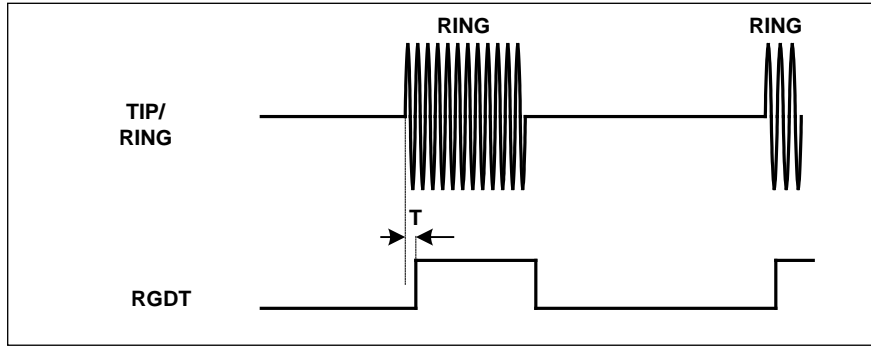


Figure 11: Ring Detector

3.6.2 Ring Detection Using Coarse Ring Output

The host CPU can run its own ring qualifier algorithm with the Rng7-0 samples. The Rng7-0 value represents the voltage of ring samples at the moment. The host software shall handling all the voltage and timing measurement. Host can take the ring signals up to every 400 μ s which is the MicroDAA HIC refresh rate on the Rng7-0 register.

3.7 Line Polarity Reversal Detection

The Polarity Reversal detection during on-hook is associated with caller ID protocols in Japan and some European countries. In these countries, the caller ID signals are sent prior to the start of normal ringing. A polarity reversal is used to indicate to the modem that transmission of caller ID information is about to begin. The detection of a polarity reversal takes place while the modem is in the On-hook state. The detection of on-hook polarity reversals is required for full compliance with the specified Caller ID protocols in these countries. Polarity reversal detection is done at pins RG+ & RG- thru the Aux A/D. As described earlier both this and Ring Detection cases, the actual decision is made within 73M1822 by qualifying the activities on the line against the threshold provided by the Host.

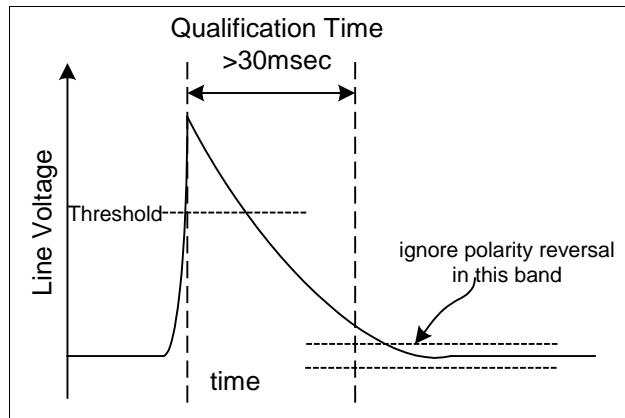


Figure 12: Line Polarity Reversal Detection

Polarity Reversal Detection Procedure

Line polarity Reversal can be checked from the ring qualifier output RGDT (Register 0x02:1) bit. When this bit is set, and if the RGDB is reset, then there is a LPR detected. The host can monitor RGDT by polling this bit periodically or by an interrupt by setting ENRGDT (Register 0x04:0) bit.

3.8 Line Snoop / Type I Caller ID Detection

Line Snoop is for monitoring the signals such as DTMF, Speech, Tone or Caller ID carrier either from local or the remote end appearing at TIP and RING terminals for system interacting with external devices such as DTAM, Telephone set etc. The MicroDAA supports two snoop modes. One is through the RING detector path and the other is RXP path. In case of using RXP path for snooping, there will be about 600 uA (48V/5K) current sinking from the phone line, which is small enough not to cause the line to go off-hook. The Caller ID signal will be routed thru the normal path via Rxp pin and processed just as data. Using the ring detector path does not draw any current for snooping. Through the ring detection path, an optional 20 dB gain block can be activated to compensate the 20 dB loss inserted for ring detection.

There are three possible scenarios for detecting caller ID. Type 1 Caller ID (w/Snoop), Type II while system in off-hook and Type II while the system is on hook but attached device is off-hooked. In all cases, it is assumed that Caller ID is preceded by a trigger signal such as a Ringing, line Polarity Reversal, or a CAS tone.

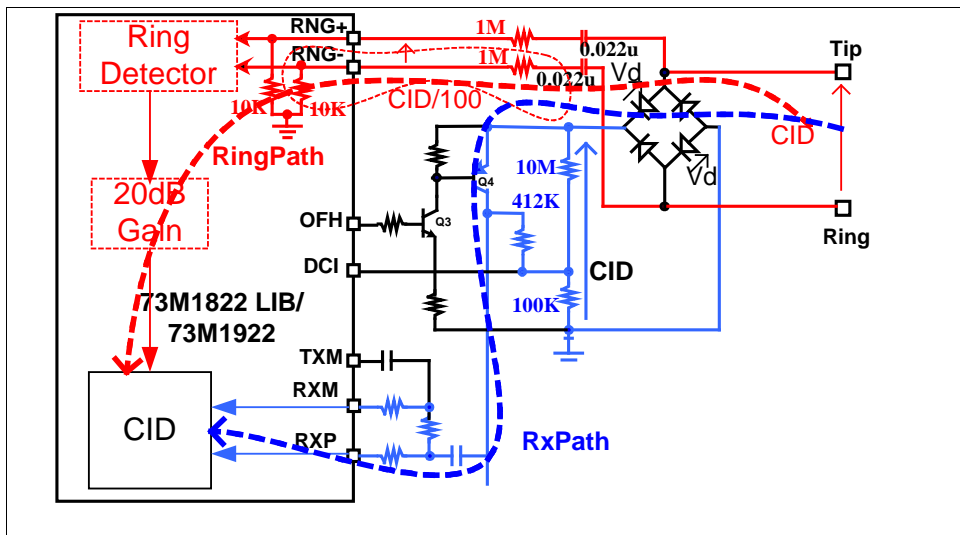


Figure 13: Caller ID Detection Path

Caller ID Detection Scenario:

Type I caller ID while system On-Hook – Snoop Caller ID detection.

Type II caller ID is with the modem Off-Hook.

Type II with other parallel modem or Telephone device Off-Hook. – Snoop Caller ID detection.

Type I Caller ID Detection Procedure (Snoop via Ring Path)

MicroDAA system is On-hook in barrier power mode.

A valid ring, line polarity reversal or other trigger signaling is detected.

Enable receive path by setting RxEn bit (Register 0x16:6).

Reset SNPac bit of Register 0x 0x14:4 to disable snoop via signal path.

Reset Rxbst0 bit of Register 0x14:3.to restore ac path gain.

Set SNPm bit of Register 0x15:4 to enable ring path snoop.

Set Rxbst1 bit of Register 0x15:5 to add a 20 dB gain for CID.

Process the CID signals appears.

Reset SNPm bit of Register 0x15:4.

Reset Rxbst1 bit of Register 0x 15:5.

Disable receive path by resetting RxEn bit (Register 0x16:6).

Type I Caller ID Detection Procedure (Snoop via Rx path)

MicroDAA system is on-hook by resetting OH bit. (Register 0x12:7)
A valid ring, line polarity reversal or other trigger signaling is detected
MicroDAA system goes to a low current off-hook ($\leq 600 \mu\text{A}$) state by setting OH bit only. (Register 0x12:7). Other bits such as ENDC, ENAC and ENSHL shall be turned off by resetting these bits.
Enable receive path by setting RxEn bit. (Register 0x16:6)
Reset SNPm bit of Register 0x15:4 to disable ring path snoop.
Reset Rxbst1 bit of Register 0x15:5 to disable ring path snoop.
Set SNPac bit of Register 0x14:4 to enable signal path snoop.
Set Rxbst0 bit of Register 0x14:3 to add additional gain for CID.
Process the CID signals appears.
Reset SNPac bit of Register 0x14:4 to disable snoop via signal path.
Reset Rxbst0 bit of Register 0x14:3 to restore ac path gain.
Disable receive path by resetting RxEn bit (Register 0x16:6).

Type II Caller ID Snoop Procedure

MicroDAA system is on-hook.
Parallel phone off-hook detected (LIU)
Waiting for CID continuously by monitoring the line signal by snooping via ring path or Rx path until the parallel phone goes back to on hook.

Call Progress/Line Monitoring

The call progress audio monitoring such as on-hook dialing can be implemented using the monitor DAC. The 73M1822 HIC is with integrated DAC with independently programmable gain for TX and Rx signals. An Audio power amplifier is required for driving loudspeakers. Since the gain can be adjusted with CP_Mon Register (Register 0x10), level control in the speaker driver is not required. This analog output can be used for following applications;

Call Progress Monitoring

Driving audio output for telephone line signals such as dial tone, dialing, ring back, busy tone monitoring and modem signals through the speaker.

On-Hook Dialing

Same as call progress monitor.

Ringer Tone Output

Using the ring detector output status, Host DSP may generate a tone or signal to the speaker by transmit data stream.

Key Beep/System Alarm

Generating a beep or key tone is very useful for a certain types of keypad as a user input. The availability of this feature is limited by while the modem is idle. While the modem is active, this feature is not available.

Worldwide DAA Configuration

The 73M1822 offers a configurable global compliance with Line DC VI control, AC termination impedance control and ring detection threshold adjustment features under software control. These parameters can be set during the system initialization and can be change at any time when needed.

The AC Termination Impedance can be configured by selecting the ACZ(1:0) settings in Register 0x17:4-3.

The DC mask configuration is by selecting DCIV(1:0) settings in Register 0x13:7-6.

Ring detector threshold configuration is by selecting RGTH(1:0) in Register 0x0E:1-0. The precision ring voltage sensing can be done by polling the ring signal samples read from the auxiliary ADC from Register 0x1A. The host shall calculate the peak and frequency under software control.

The following example shows the LIC initialization using US impedance and DC mask setting.

```
static const U16 init_LIC_config[] =      // MUST HAVE Data, Control, Data, Control,.. FRAMES */
{
    CTRL_FRAME, (REG12<<8)|0x04,         // Reset offhook control register. Register12=0x04, Set ENFE bit
    CTRL_FRAME, (REG13<<8)|0x10,         // Register13=0x10, DCIV=00, ILM=0, THDCEN=1, PLDM=0,OVDTH=0,
                                        // IDPD=0
    CTRL_FRAME, (REG14<<8)|0x20,         // Register14=0x80, Set to 0db Gain in Tx path by DAA1,0=01
    CTRL_FRAME, (REG15<<8)|0x08,         // Register 15=0x00
    CTRL_FRAME, (REG16<<8)|0xD0,         // Register16=0xD0, TXEN=1, RXEN=1, RLPNEN=0, ATEN=1,
                                        // FSCTR(3:0) =0000
    CTRL_FRAME, (REG17<<8)|0x00,         // Register17=0x00, ACZ(1:0)=00.
    CTRL_FRAME, (REG18<<8)|0x01,         // Set Register18 =01
    CTRL_FRAME, (REG19<<8)|0x81         // Register19=81, POLL=1, INDX(3:0)=1.
};
```

4 Demo Board Schematics, PCB Layouts and Bill of Materials

4.1 Schematic

Figure 14 shows the schematic diagram of 73M1822 42-pin QFN Keychain Demo Board.

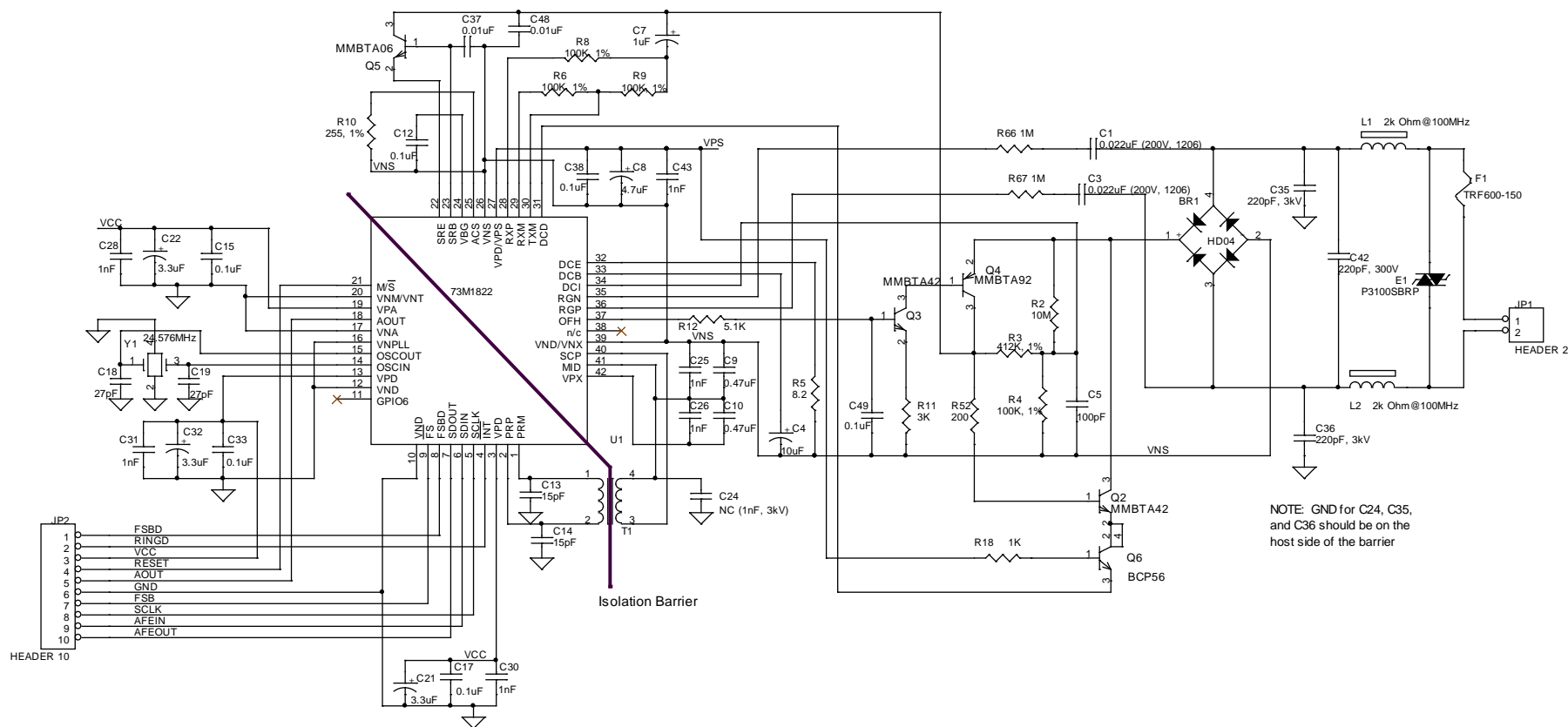


Figure 14: 73M1822 Keychain Demo Board Schematic

4.2 73M1822 MicroDAA Demo Board PCB Layout

4.2.1 73M1822 42-Pin QFN Keychain Demo Board Layout

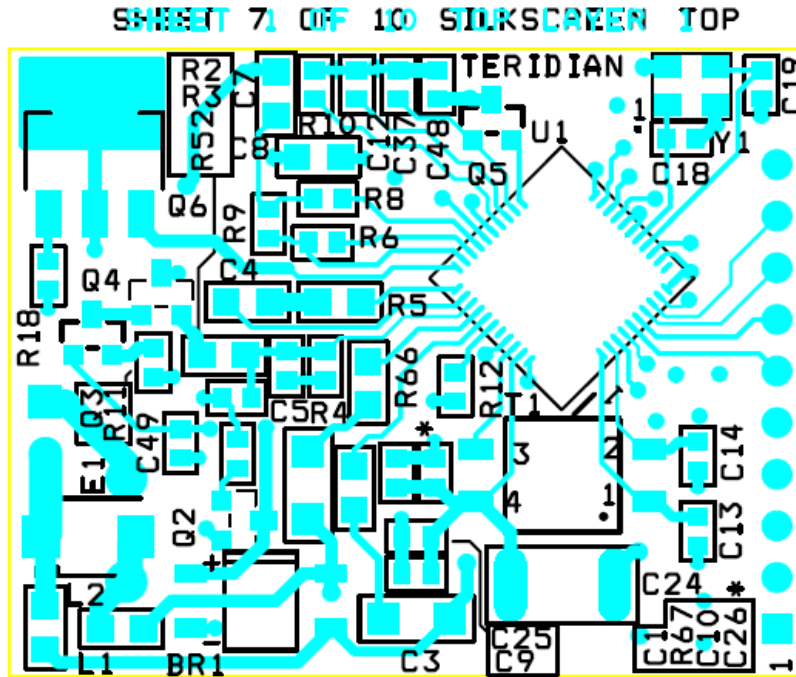


Figure 15: 73M1822 Keychain Demo Board: Top Signal Layer and Silk Screen

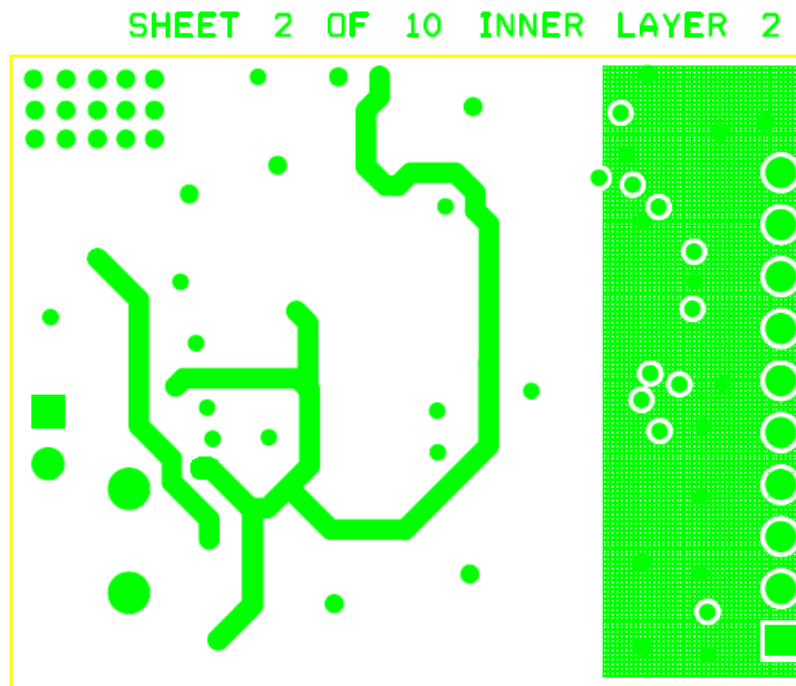


Figure 16: 73M1822 Keychain Demo Board: Layer 2, Ground Plane

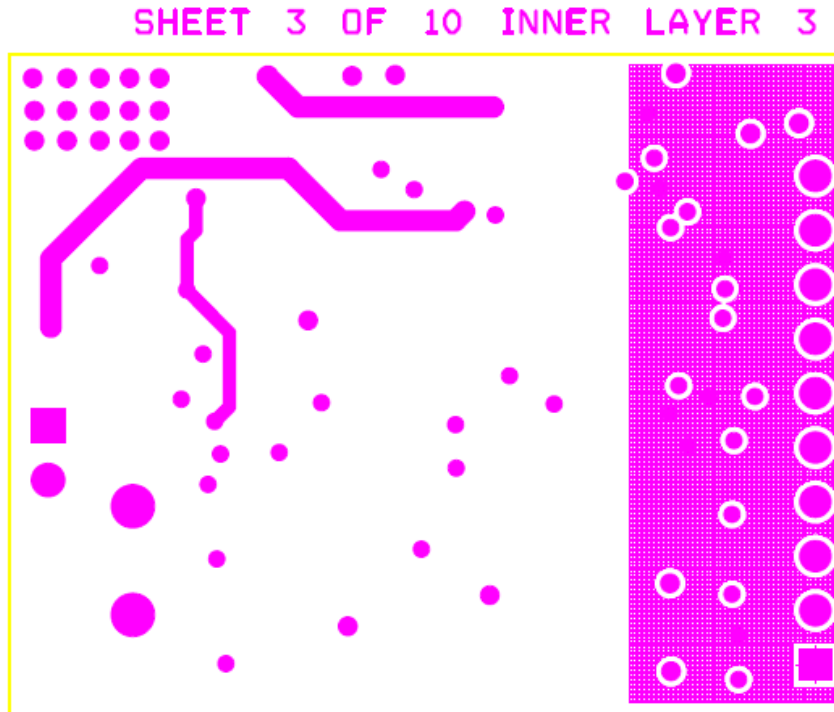


Figure 17: 73M1822 Keychain Demo Board: Layer 3, Supply Plane

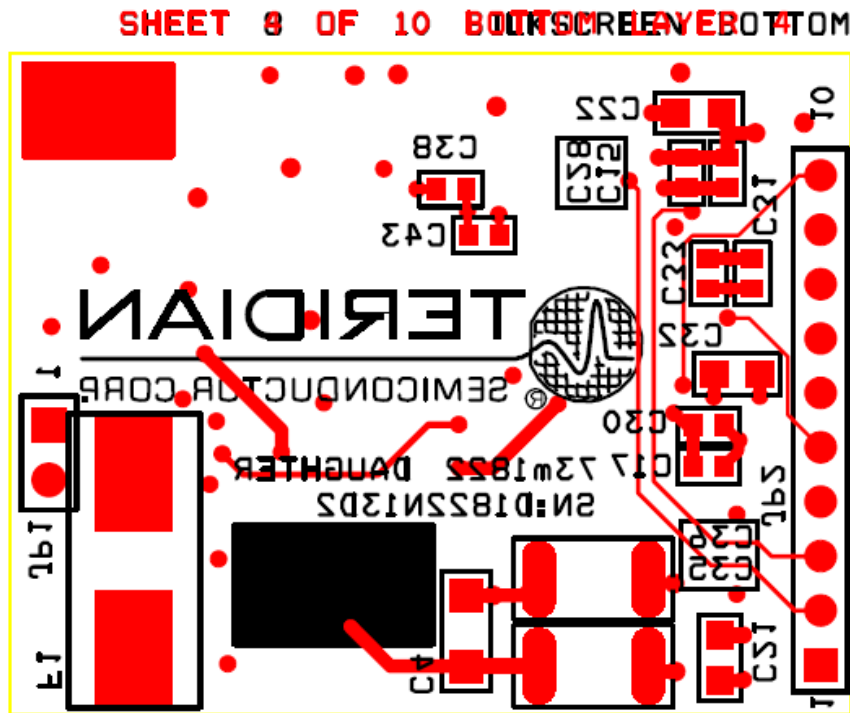


Figure 18: 73M1822 Keychain Demo Board: Bottom Signal Layer and Silk Screen

4.2.2 73M1822 Keychain Demo Board Physical Dimensions

PCB Dimensions

- Size 1.54 x 1.27" (39.10 x 32.10 mm)
- Height with components and solder 0.46" (11.75 mm)

Environmental

- Operating Temperature °-40 to +85°C
(function of crystal oscillator affected outside -10°C to +60°C)
- Storage Temperature -65 to 150°C

Power Supply

- DC Input Voltage (powered from DC supply) 3.3 VDC \pm 10%
- Supply Current 25 mA (off-hooked at room temperature) typical

4.3 Bill of Materials

Table 3: 73M1822 Keychain Demo Board Bill of Materials

Qty	Reference	Part	Digikey Pin	Manufacturer Pin	Manufacturer
1	BR1	HD04	HD04DICT-ND	HD04-T	DIODES Inc.
2	C1,C3	0.022uF, 250V	399-1242-1-ND	C1206C223K5RACTU	Kemet
1	C4	10uF	399-3138-2-ND	C0805C106K9PACTU	Kemet
1	C5	100pF	311-1069-1-ND	CC0603JRNP09BN101	Yageo
1	C7	1uF	587-1241-1-ND	EMK107BJ105KA-TR	Taiyo Yuden
1	C8	4.7uF	PCC2176CT-ND	ECJ-2FB0J475M	Panasonic
2	C9,C10	0.47uF	PCC1911CT-ND	ECJ-1VB0J474K	Panasonic
6	C12,C15,C17,C33,C38,C49	0.1uF	399-1095-1-ND	C0603C104K8RACTU	Kemet
2	C13,C14	15pF	445-1271-1-ND	C1608COG1H150J	TDK
2	C18,C19	27pF	PCC270ACVCT-ND	ECJ-1VC1H270J	Panasonic
3	C21,C22,C32	3.3uF	PCC1925CT-ND	ECJ-2YB0J335K	Panasonic
1	C24	NC			
6	C25,C26,C28,C30,C31,C43	1000pF	PCC1772CT-ND	ECJ-1VB1H102K	Panasonic
2	C35,C36	220pF, 3KV	445-2380-1-ND	C4532COG3F221K	TDK
2	C37,C48	0.01uF	478-1227-1-ND	06035C103KAT2A	AVX
1	C42	220pF, 630V	445-2338-1-ND	C3216COG2J221J	TDK
1	E1	P3100SBRP	P3100SBLRPCT-ND	P3100SBLRP	Teccor Electronics
1	F1	TRF600-150	TRF600-150-ND	TR600-150	Rachem
	J1	HEADER 2	S1011E-36-ND	PBC36SAAN	Sullin
	J2	HEADER 10	S1011E-36-ND	PBC36SAAN	Sullin
2	L1,L2	2K Ohm	240-2396-1-ND	HZ0805C202R-10	Steward
2	Q2,Q3	MMBTA42	863-MMBTA42LT1G	MMBTA42LT1G	ON Semi.
1	Q4	MMBTA92	863-MMBTA92LT1G	MMBTA92LT1G	ON Semi.
1	Q5	MMBTA06	863-MMBTA06LT1G	MMBTA06LT1G	ON Semi.
1	Q6	BCP56	568-1639-1-ND	BCP56	Philips
1	R2	10M	541-10.0MCCT-ND	CRCW080510M0FKEA	Vishay
1	R3	412K, 1%	P412KHTR-ND	ERJ-3EKF4123V	Panasonic
4	R4,R6,R8,R9	100K, 1%	P100KHCT-ND	ERJ-3EKF1003V	Panasonic
1	R5	8.2, 1%	541-8.20CCT-ND	CRCW08058R20FNEA	Vishay
1	R10	255, 1%	311-255HRCT-ND	RC0603FR-07255RL	Panasonic
1	R11	3K	311-3.0KHRCT-ND	RC0603FR-073KL	Yageo
1	R11,12	5.1K	311-5.10KHRCT-ND	RC0603FR-075K1L	Yageo
1	R18	1K	P1.00KHCT-ND	ERJ-3EKF1001V	Panasonic
1	R52	200	P200HCT-ND	ERJ-3EKF2000V	Panasonic
2	R66,R67	1M	311-1.00MCRCT-ND	RC0805FR-071ML	Yageo
1	T1	Pulse TFR	NA	ESMIT-4180/750110001	Sumida/Midcom
1	U1	73M1822	NA	73M1822	Teridian
1	Y1	24.576MHz	815-ABM8-24.576-B2-T	ABM8-24.576MHZ-B2-T	ABRACON

4.4 Pin Descriptions

Table 4 shows the 73M1822 42-pin QFN package pin definitions.

Table 4: 73M1822 42-Pin QFN Package Pin Definitions

Pin	Name	Pin	Name	Pin	Name
1	PRM	15	OSCOUT	29	RXM
2	PRP	16	VNA/VNPLL	30	TXM
3	VPD/VPT	17	VNA	31	DCD
4	INT	18	AOUT	32	DCE
5	SCLK	19	VPA/VPM	33	DCB
6	SDIN	20	VNM/VNT	34	DCI
7	SDOUT	21	M/S	35	RGN
8	FSD	22	SRE	36	RGP
9	FS	23	SRB	37	OFH
10	VND	24	VBG	38	M20BP
11	GPIO6	25	ACS	39	VNX/VNS
12	VND	26	VNS	40	SCP
13	VPD/VPPLL	27	VPS	41	MID
14	OSCIN	28	RXP	42	VPX

4.4.1 731822 Pinout

Figure 21 shows the 73M1822 42-pin QFN package pinout top view.

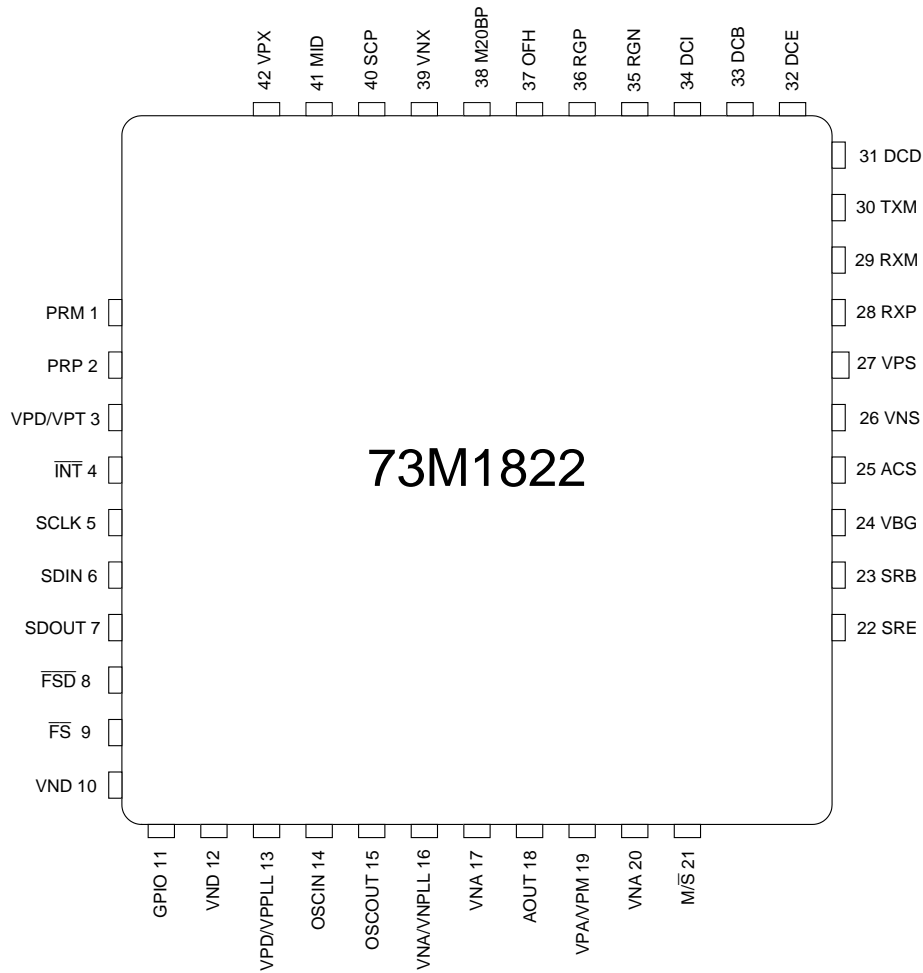


Figure 19: 73M1822 QFN 42-Pin Package: Pinout (top view)

5 Related Documentation

The following 73M1x22 documents are available from Teridian Semiconductor Corporation:

73M1822/73M1922 Data Sheet

73M1822 Keychain Demo Board User Manual (this document)

73M1822/73M1922 Layout Guidelines

73M1x22 Worldwide Design Guide

6 Contact Information

For more information about Teridian Semiconductor products or to check the availability of the 73M1822, contact us at:

6440 Oak Canyon Road
Suite 100
Irvine, CA 92618-5201

Telephone: (714) 508-8800
FAX: (714) 508-8878
Email: modem.support@teridian.com

For a complete list of worldwide sales offices, go to <http://www.teridian.com>.