

4

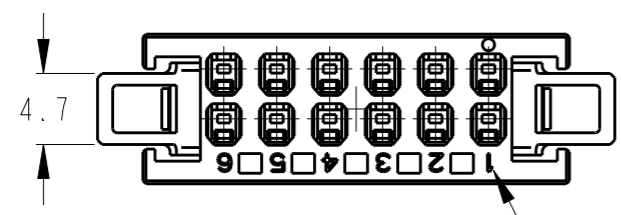
3

2

1

THIS DRAWING IS UNPUBLISHED. RELEASED FOR PUBLICATION 2008
 © COPYRIGHT 2011 Tyco Electronics Japan G.K. ALL RIGHTS RESERVED.

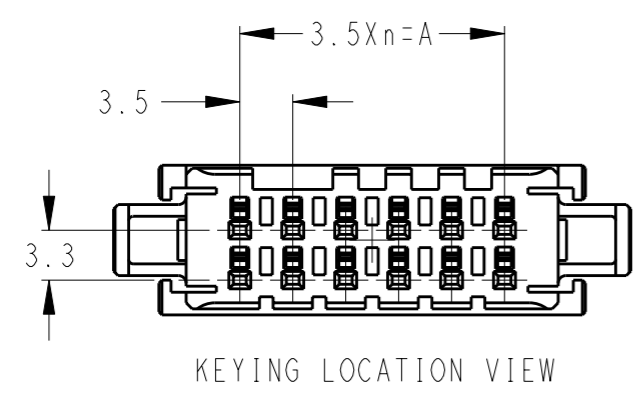
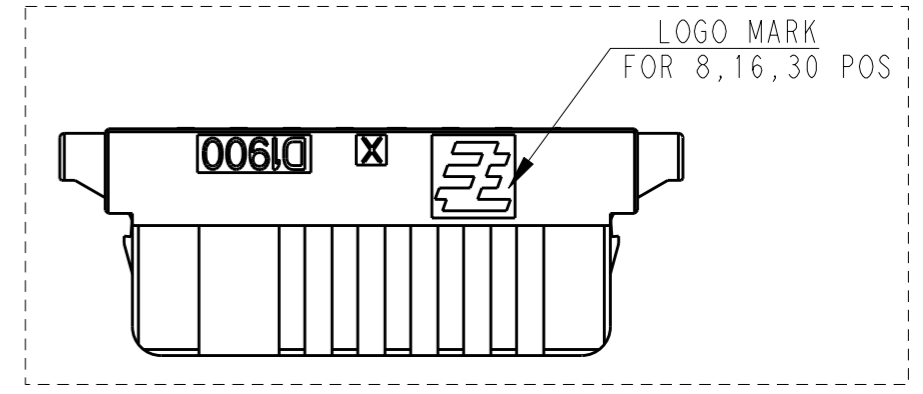
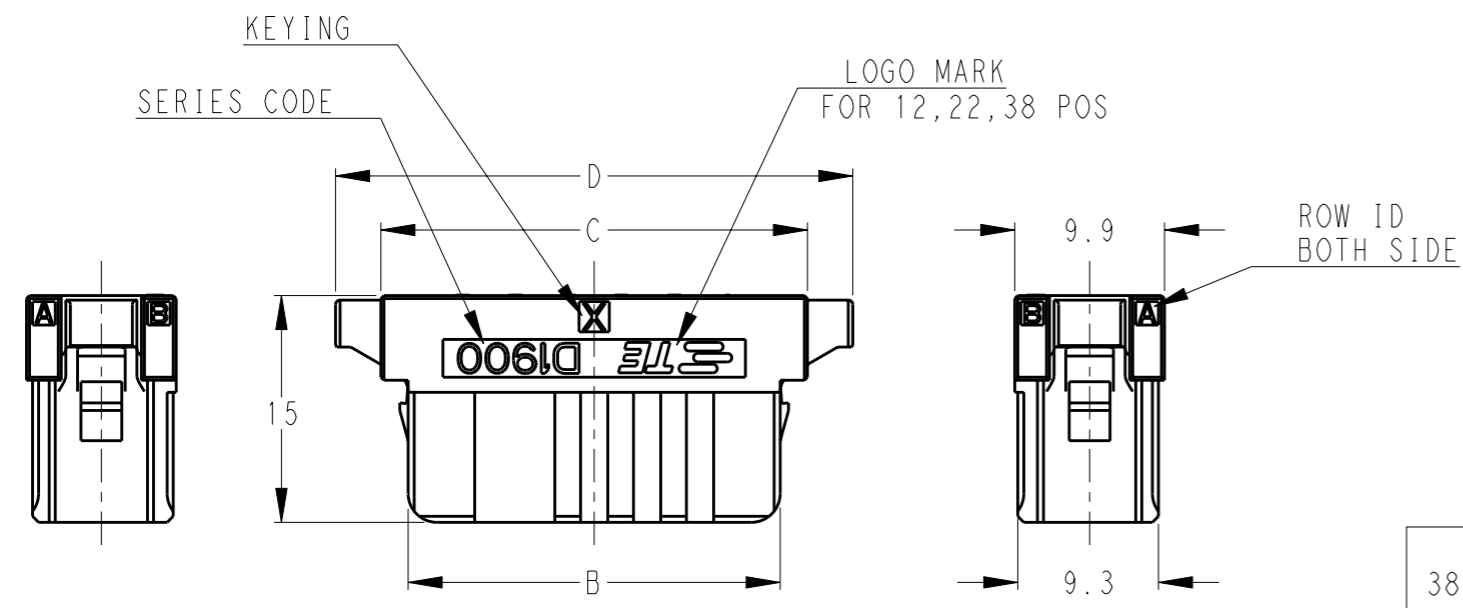
| LOC | DIST | REVISIONS | | | |
|-----|------|-------------|---------|-----------|-----------|
| P | LTR | DESCRIPTION | DATE | DWN | APVD |
| J | | F | REVISED | 24MAY2011 | M. M N. Y |



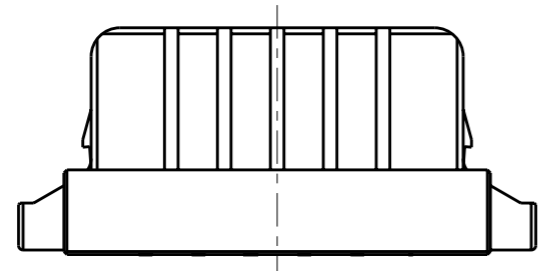
12POS(X-KEY)
 : 1-1871946-6
 1-2069575-6
 1-2069576-6

CIRCUIT NO

△ MATERIAL: GLASS FILED THERMO PLASTIC POLYESTER(94V-0)



| POS | n | A | B | C | D | KEY LOCATION | COLOR | PART NO |
|-----|----|------|------|------|------|--------------|---------|-------------|
| 38 | 18 | 63.0 | 70.1 | 73.7 | 79.7 | | BLACK | 2-1871946-9 |
| 30 | 14 | 49.0 | 56.1 | 59.7 | 65.7 | | BLACK | 2-1871946-5 |
| 22 | 10 | 35.0 | 42.1 | 45.7 | 51.7 | | YELLOW | 2-2069576-1 |
| | | | | | | | NATURAL | 2-2069575-1 |
| | | | | | | | BLACK | 2-1871946-1 |
| 16 | 7 | 24.5 | 31.6 | 35.2 | 41.2 | | BLACK | 1-1871946-8 |
| 12 | 5 | 17.5 | 24.6 | 28.2 | 34.2 | AS SHOWN | YELLOW | 1-2069576-6 |
| | | | | | | | NATURAL | 1-2069575-6 |
| | | | | | | | BLACK | 1-1871946-6 |
| 8 | 3 | 10.5 | 17.6 | 21.2 | 27.2 | | YELLOW | 1-2069576-4 |
| | | | | | | | BLACK | 1-1871946-4 |



THIS DRAWING IS A CONTROLLED DOCUMENT.

DIMENSIONS: mm

TOLERANCES UNLESS OTHERWISE SPECIFIED: ±0.3, ±5°

MATERIAL: △ 1

FINISH: -

APVD: S. MANABE 09MAY2008

CHK: T. KUDO 09MAY2008

DWN: M. MAEBASHI 09MAY2008

PRODUCT SPEC: 108-78268

APPLICATION SPEC: 114-5377

WEIGHT: -

CUSTOMER DRAWING

NAME: DYNAMIC D1900D 3.5mm PITCH REC HSG

SIZE: A3 CAGE CODE: 00779 DRAWING NO: C-1871946 RESTRICTED TO: -

SCALE: 2:1 SHEET: 1 OF 1 REV: F

STE TE Connectivity