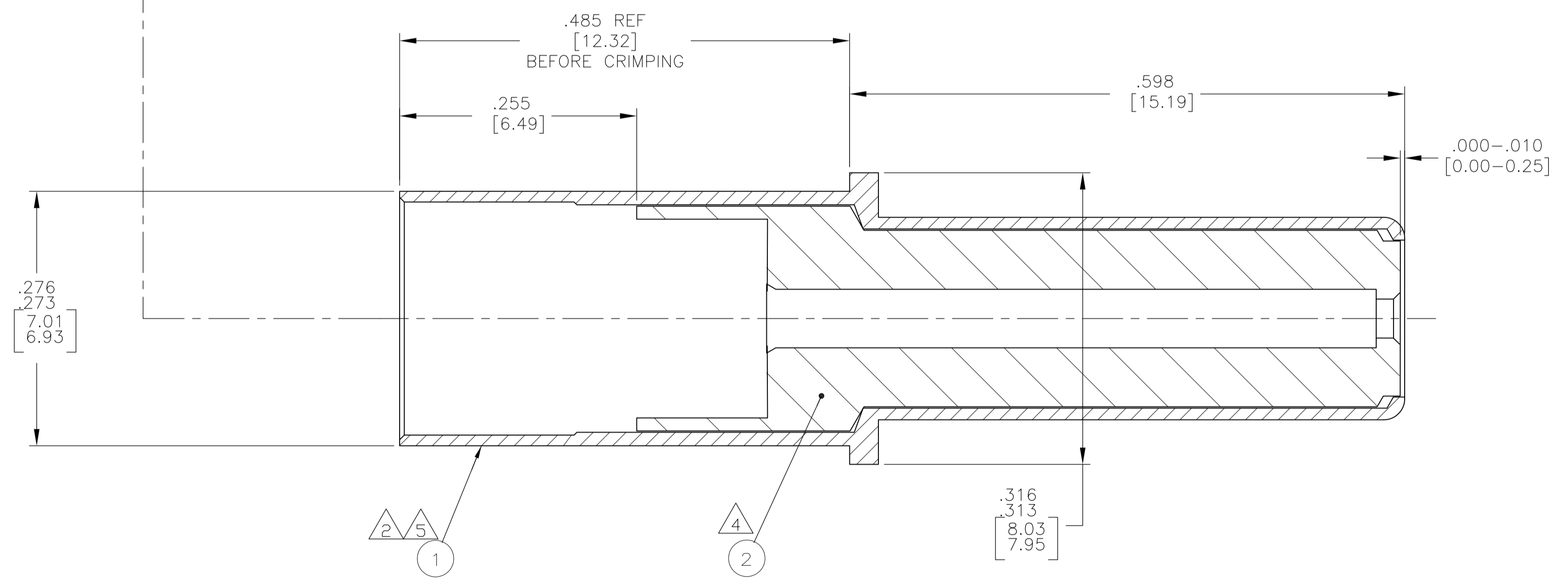
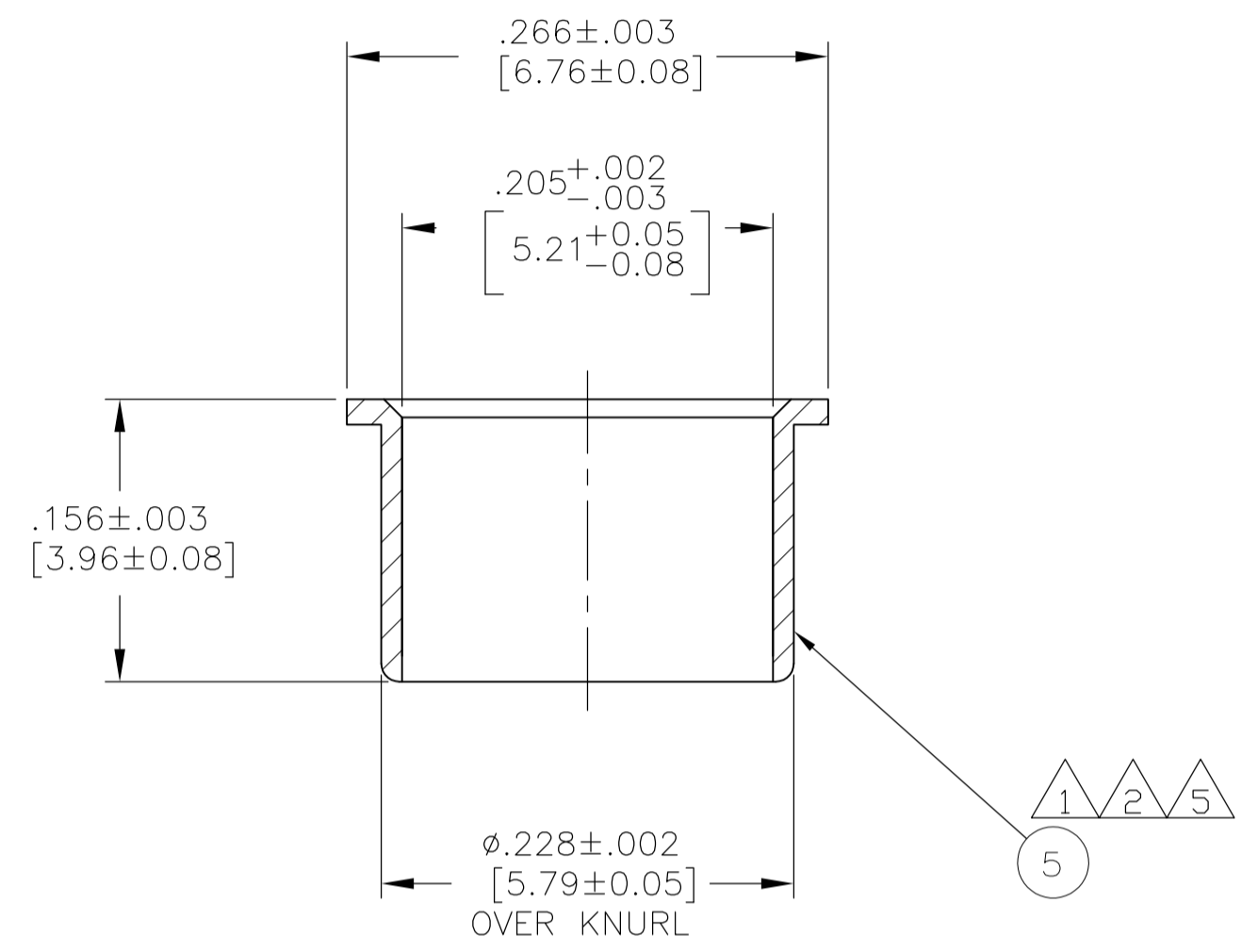
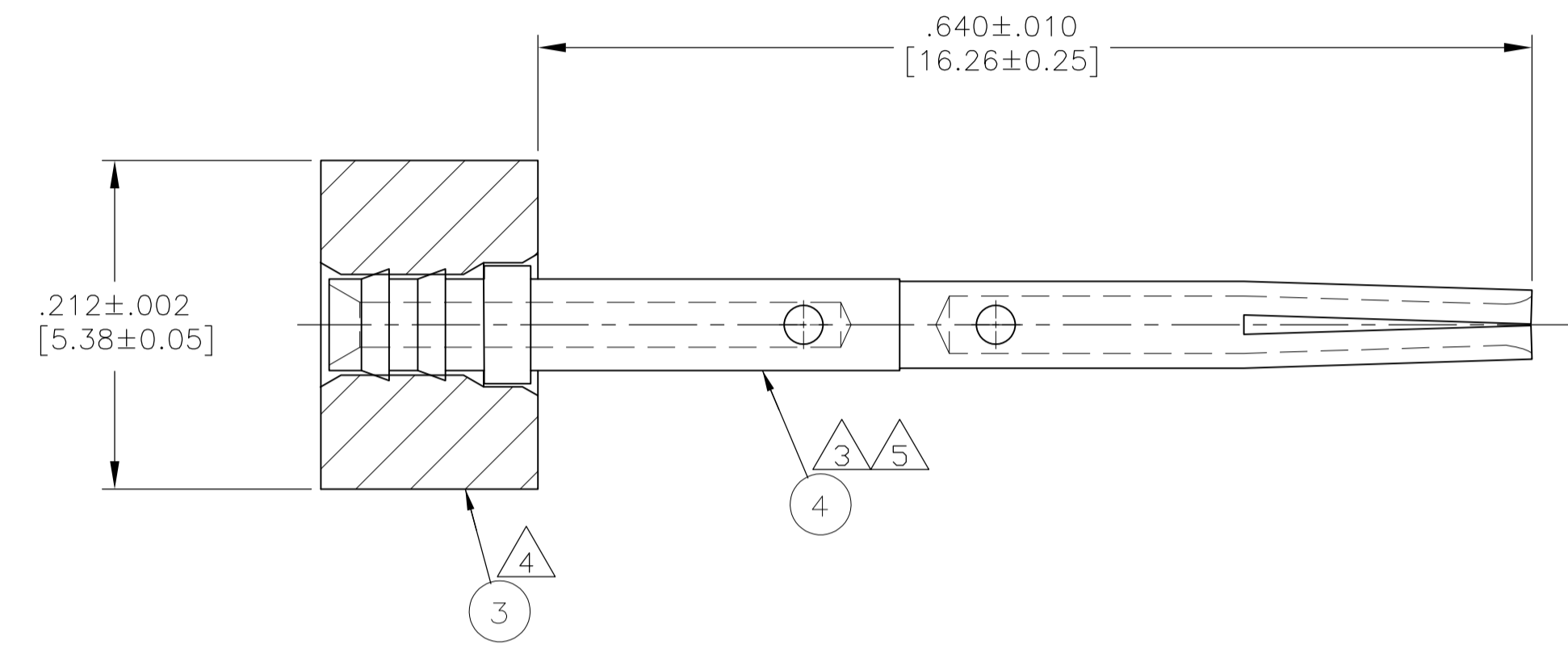


LOC		DIST		REVISIONS			
P	LTR	DESCRIPTION	DATE	DN	APVD		
A		RELEASED	1-26-15	CT	WM		

- 1 160 DP. FULL DIAMOND KNURL OVER THIS LENGTH.
- 2 MAT'L: BRASS PER ASTM-B-16
- 3 MAT'L: BERYLLIUM COPPER PER ASTM-B-196.
- 4 MAT'L: PTFE PER ASTM-D-1710.
- 5 FINISH: GOLD PLATE PER MIL-G-45204, TYPE 1, GRADE C, CLASS 1 OVER NICKEL .000050 [0.0013] THK PER QQ-N-290, CLASS 2.



INNER FERRULE	5
CONTACT,CENTER	4
DIELECTRIC,OUTER	3
DIELECTRIC,FRONT	2
SHELL,OUTER,PIN,SIZE 8	1
DESCRIPTION	ITEM NO

1218689-1
PART NUMBER

THIS DRAWING IS A CONTROLLED DOCUMENT.		DN C.C.THOMAS 1-26-15	TE Connectivity	
DIMENSIONS: INCHES [mm]		CHK W.MOYER 1-26-15	NAME CONTACT ASSY,SIZE 8,ARINC-COAX	
TOLERANCES UNLESS OTHERWISE SPECIFIED:		APVD W.MOYER 1-26-15	RESTRICTED TO	
0 PLC ± -	1 PLC ± -	PRODUCT SPEC	SIZE CAGE CODE DRAWING NO	
2 PLC ± -	3 PLC ± .005 [0.13]	APPLICATION SPEC	A1 00779 C=1218689	
4 PLC ± -	ANGLES ± -	WEIGHT	SCALE 10:1 SHEET 1 OF 1 REV A	
MATERIAL SEE CALLOUTS		FINISH	CUSTOMER DRAWING	