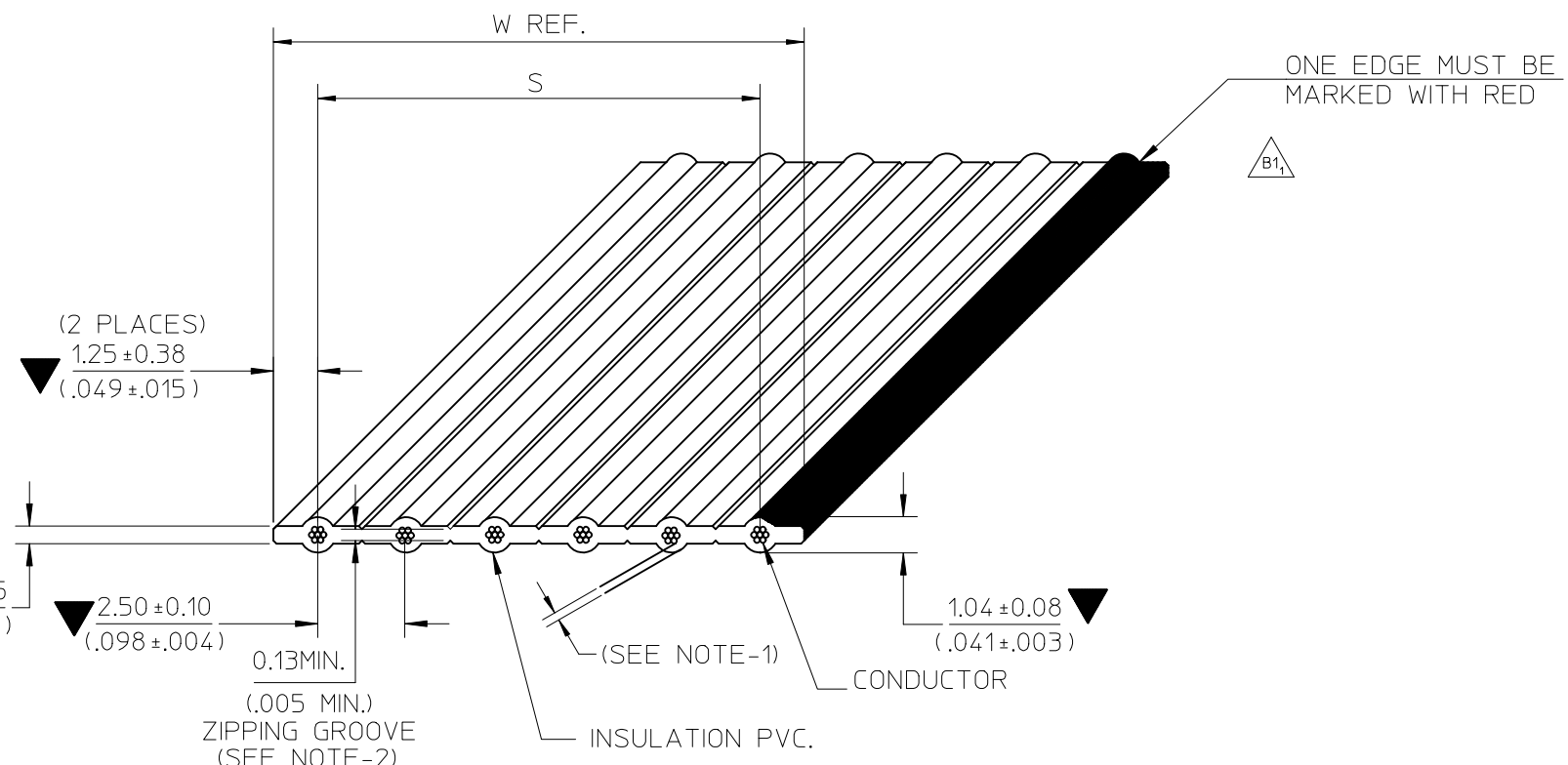


7 6 5 4 3 2 1



- NOTE :**
1. THE CABLE SHALL HAVE A MINIMUM OF 0.178mm. (.007") THICKNESS INSULATION AT ANY POINT
 2. RIP TEST:
 - THE 0.13mm. (.005") ZIPPING GROOVE SHALL BE CAPABLE OF BEING RIPPED BY HAND WITHIN THE RECESS, WITHOUT EXPOSING THE ADJACENT CONDUCTORS
 3. RoHS AND LEAD FREE COMPLIANT
 4. SPECIAL REQUIREMENT: N/A

PRODUCT APPLICATION	
<input checked="" type="checkbox"/>	GENERAL USE
<input type="checkbox"/>	AUTOMOTIVE
<input type="checkbox"/>	MEDICAL DEVICE

SEE CHANGE DETAIL
 EC NO: THL2011-0054
 DRWN: CPANSAKHOM 2010/10/08
 CHKD: PEECHAI 2011/01/25
 APPR: SVIRAT JAPOL 2011/03/31

QUALITY SYMBOLS
= 3
= 0

GENERAL TOLERANCES (UNLESS SPECIFIED)	
	mm
4 PLACES	± .005
3 PLACES	± .004
2 PLACES	± .003
1 PLACE	± .002
ANGULAR ± .005°	
DRAFT WHERE APPLICABLE MUST REMAIN WITHIN DIMENSIONS	

DIMENSION STYLE	
MM/IN	
DRAWN BY	DATE
CPANSAKHOM	2006/07/13
CHECKED BY	DATE
PMEECHAI	2006/07/13
APPROVED BY	DATE
SVIRAT JAPOL	2006/07/13
MATERIAL NO.	
SEE CHART	

SCALE	DESIGN UNITS	THIRD ANGLE PROJECTION
NTS	INCH	
TITLE		
FCB ROUND CONDUCTOR 2.50MM(.098)CENTERS PVC. 26AWG STR TOPCOATED		
molex MOLEX INCORPORATED		
MATERIAL NO.	DOCUMENT NO.	SHEET NO.
SEE CHART	SD-40160-001	1 OF 3
THIS DRAWING CONTAINS INFORMATION THAT IS PROPRIETARY TO MOLEX INCORPORATED AND SHOULD NOT BE USED WITHOUT WRITTEN PERMISSION		

REV.	EC NO.	DETAIL	DATE
B1	E-10-0371	B1 : REMOVE REELS MFG. IN NOG.	2011/01/25
B	E-07-0748	B2 : ADD NON-OPERATING TEMP. B1 : ADD SOLDERING CONDITION	2007/10/02
A	N/A	NEW RELEASE	2006/07/13

6 5 4 3 2 1

SPECIFICATIONS

PHYSICAL

CONDUCTOR SPACING _ _ _ _ _ .250 (.098") ϕ TO ϕ
 WIRE GAUGE _ _ _ _ _ .26 AWG(7/34) STRANDED TOPCOATED
 INSULATION _ _ _ _ _ P.V.C GRAY (LEAD FREE)

AGENCY

U.L. STYLE NO. _ _ _ _ _ 2651
 TEMPERATURE RATING _ _ _ _ _ -20°C TO 105°C
 VOLTAGE RATING _ _ _ _ _ 300V.MAX.
 FLAMMABILITY RATING _ _ _ _ _ VW-1

ELECTRICAL

CONDUCTOR RESISTANCE (D.C.) _ _ _ _ _ 43 m OHMS/FT. MAX.
 CHARACTERISTIC IMPEDANCE _ _ _ _ _ 143 OHMS NOM. (GS)
 121 OHMS NOM. (GSG)
 CAPACITANCE _ _ _ _ _ 5.7 pF/FT. NOM. (GS)
 10.4 pF/FT. NOM. (GSG)
 PROPAGATION DELAY _ _ _ _ _ 1.4 ns/FT. NOM.
 INSULATION RESISTANCE _ _ _ _ _ 10M OHMS (10FT. SAMPLE)
 DIELECTRIC WITHSTAND VOLTAGE _ _ _ _ _ 2000 VRMS/MINUTE

GENERAL

NON-OPERATING TEMPERATURE _ _ _ _ _ -20°C TO 105°C
 FAULTS AND/OR SPLICES _ _ _ _ _ 1/REEL MAX. 100⁺³₀ FT. (30.48^{+0.914}₀ M.)/REEL
 20FT. (6.096M.) MIN. LENGTH

SOLDERING CONDITION

SOLDER TEMPERATURE _ _ _ _ _ 260°C. MAX.
 SOLDERING TIME _ _ _ _ _ 3 SECOND, MAX.
 INSULATION SHRINK _ _ _ _ _ 2MM. NOM

SEE CHANGE DETAIL EC NO: THL2011-0054 DRWN: CPANSAKHOM 2010/10/08 CHKD: PMEECHAI 2011/01/25 APPR: SVIRAT JAPOL 2011/03/31	DESCRIPTION REV	QUALITY SYMBOLS	GENERAL TOLERANCES (UNLESS SPECIFIED)		DIMENSION STYLE MM/IN		SCALE NTS	DESIGN UNITS INCH	THIRD ANGLE PROJECTION			
		▼ = ▽ =		mm	INCH	DRAWN BY	DATE	TITLE FCB ROUND CONDUCTOR 2.50MM(.098)CENTERS PVC. 26AWG STR TOPCOATED				
			4 PLACES	±---	±---	CPANSAKHOM	2006/07/13					
			3 PLACES	±---	±---	CHECKED BY	DATE					
			2 PLACES	±---	±---	PMEECHAI	2006/07/13					
			1 PLACE	±---	±---	APPROVED BY	DATE					
		ANGULAR ±---°		SVIRAT JAPOL	2006/07/13	MOLEX INCORPORATED DOCUMENT NO. SD-40160-001 SHEET NO. 2 OF 3						
DRAFT WHERE APPLICABLE MUST REMAIN WITHIN DIMENSIONS		SEE CHART										
				SIZE		THIS DRAWING CONTAINS INFORMATION THAT IS PROPRIETARY TO MOLEX INCORPORATED AND SHOULD NOT BE USED WITHOUT WRITTEN PERMISSION						

7

6

5

4

3

2

1

CHART A

DIMENSIONS MM. (INCHES)

ENGINEERING NO.	ORDER NO.	NO. OF CONDUCTOR	DIMENSION S	DIM. W (REF.)
40160-02-100B	82-26-5502	2	2.50±0.10 (.098±.004)	5.00 (.197)
↑ -03- ↑	↑ 03	3	5.00±0.20 (.197±.008)	7.50 (.295)
-04-	04	4	7.50±0.30 (.295±.012)	10.00 (.394)
-05-	05	5	10.00±0.33 (.394±.013)	12.50 (.492)
-06-	06	6	12.50±0.33 (.492±.013)	15.00 (.591)
-07-	07	7	15.00±0.33 (.591±.013)	17.50 (.689)
-08-	08	8	17.50±0.33 (.689±.013)	20.00 (.787)
-09-	09	9	20.00±0.33 (.787±.013)	22.50 (.886)
-10-	10	10	22.50±0.33 (.886±.013)	25.00 (.984)
-11-	11	11	25.00±0.33 (.984±.013)	27.50 (1.083)
-12-	12	12	27.50±0.33 (1.083±.013)	30.00 (1.181)
-13-	13	13	30.00±0.33 (1.181±.013)	32.50 (1.280)
-14-	14	14	32.50±0.33 (1.280±.013)	35.00 (1.378)
-15-	15	15	35.00±0.33 (1.378±.013)	37.50 (1.476)
-16-	16	16	37.50±0.33 (1.476±.013)	40.00 (1.575)
-17-	17	17	40.00±0.33 (1.575±.013)	42.50 (1.673)
-18-	18	18	42.50±0.33 (1.673±.013)	45.00 (1.772)
-19-	19	19	45.00±0.33 (1.772±.013)	47.50 (1.870)
-20-	20	20	47.50±0.33 (1.870±.013)	50.00 (1.969)
-21-	21	21	50.00±0.33 (1.969±.013)	52.50 (2.067)
-22-	22	22	52.50±0.33 (2.067±.013)	55.00 (2.165)
↓ -23- ↓	↓ 23	23	55.00±0.33 (2.165±.013)	57.50 (2.264)
40160-24-100B	82-26-5524	24	57.50±0.33 (2.264±.013)	60.00 (2.362)

ENGINEERING NO.

$$\frac{40160-XX-XXXX}{A \quad B \quad C \quad D}$$

A : CABLE 2.50mm. (.098") CENTERS 26AWG STRANDED TOPCOATED

B : CONDUCTOR SIZE (AVAILABILITY 2 THROUGH 24)

C : CABLE LENGTH 100FT. (30.48M.)

D : A = INCHES

B = FEET

SEE CHANGE DETAIL EC NO: THL2011-0054 DRWN: CPANSAKHOM 2010/10/08 CHKD: PREECHAI 2011/01/25 APPR: SVIRAT JAPOL 2011/03/31	QUALITY SYMBOLS ▼ = ▽ =	DESCRIPTION REV	GENERAL TOLERANCES (UNLESS SPECIFIED)		DIMENSION STYLE MM/IN	SCALE NTS	DESIGN UNITS INCH	THIRD ANGLE PROJECTION	
			4 PLACES ± --- ± ---	3 PLACES ± --- ± ---	2 PLACES ± --- ± ---	1 PLACE ± --- ± ---	DRAWN BY CPANSAKHOM	DATE 2006/07/13	TITLE FCB ROUND CONDUCTOR 2.50MM(.098)CENTERS PVC. 26AWG STR TOPCOATED
			ANGULAR ± ---°				CHECKED BY PREECHAI	DATE 2006/07/13	
			DRAFT WHERE APPLICABLE MUST REMAIN WITHIN DIMENSIONS				APPROVED BY SVIRAT JAPOL	DATE 2006/07/13	
							MATERIAL NO.	DOCUMENT NO.	
				SIZE A 4	THIS DRAWING CONTAINS INFORMATION THAT IS PROPRIETARY TO MOLEX INCORPORATED AND SHOULD NOT BE USED WITHOUT WRITTEN PERMISSION				

6

5

4

3

2

1