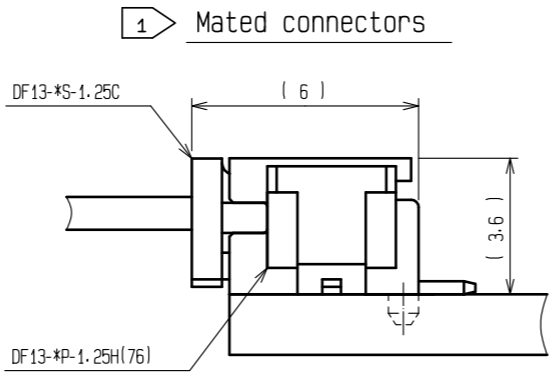
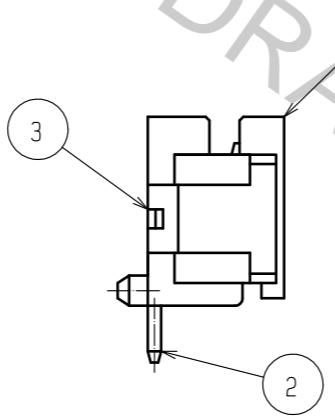
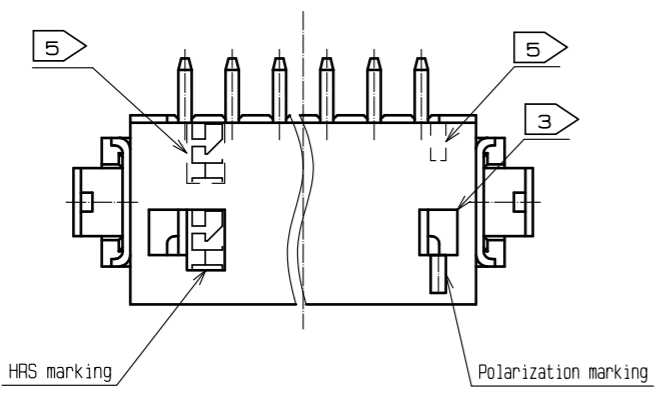
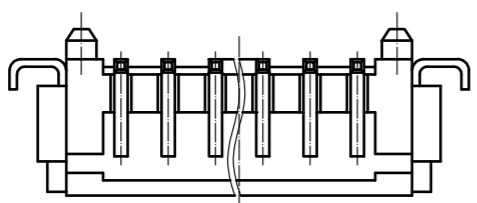
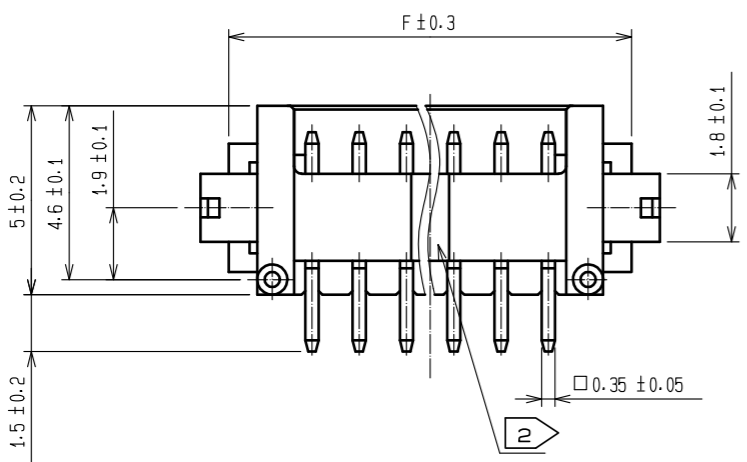
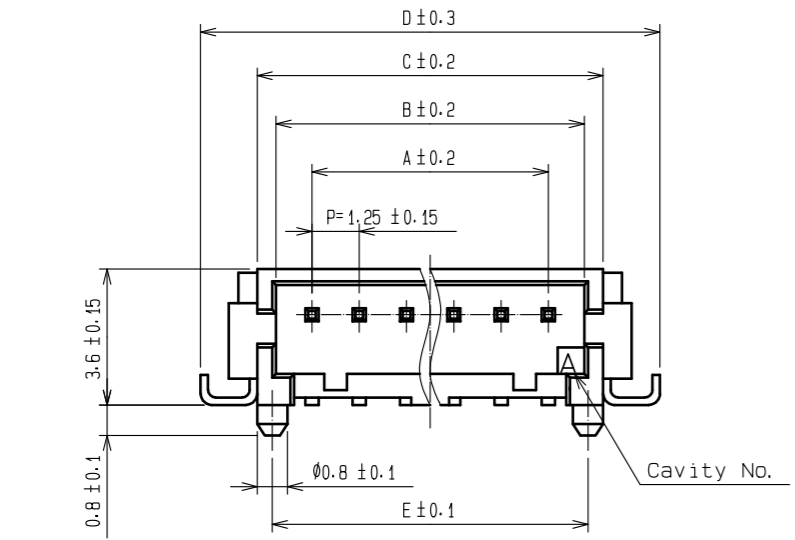
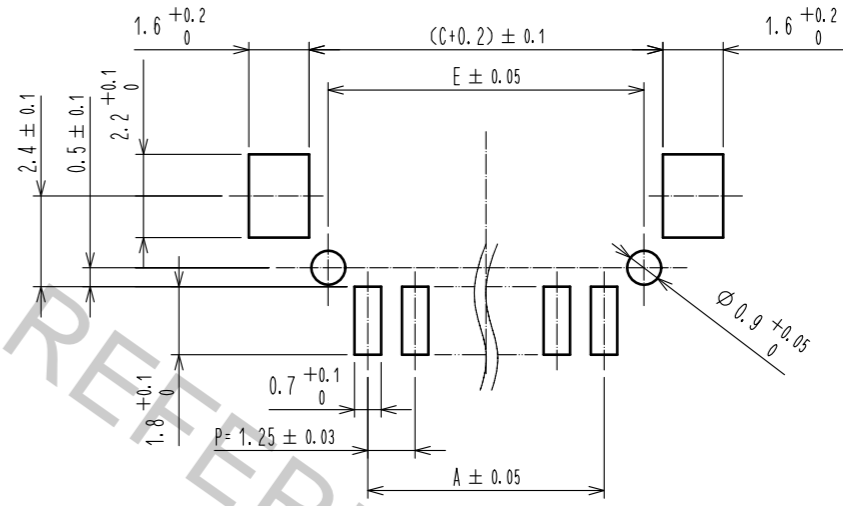


Aug.1.2018 Copyright 2018 HIROSE ELECTRIC CO., LTD. All Rights Reserved.
 In case that the application demands a high level of reliability, such as automotive,
 please contact a company representative for further information.



| Code No. | Parts No. | Number of Contact | A | B | C | D | E | F |
|-----------------|--------------------|-------------------|-------|-------|-------|-------|-------|-------|
| CL536-0251-1-76 | DF13- 2P-1.25H(76) | 2 | 1.25 | 3.15 | 4.15 | 7.15 | 3.35 | 5.65 |
| CL536-0252-4-76 | DF13- 3P-1.25H(76) | 3 | 2.5 | 4.4 | 5.4 | 8.4 | 4.60 | 6.9 |
| CL536-0253-7-76 | DF13- 4P-1.25H(76) | 4 | 3.75 | 5.65 | 6.65 | 9.65 | 5.85 | 8.15 |
| CL536-0254-0-76 | DF13- 5P-1.25H(76) | 5 | 5.0 | 6.9 | 7.9 | 10.9 | 7.10 | 9.40 |
| CL536-0255-2-76 | DF13- 6P-1.25H(76) | 6 | 6.25 | 8.15 | 9.15 | 12.15 | 8.35 | 10.65 |
| CL536-0256-5-76 | DF13- 7P-1.25H(76) | 7 | 7.5 | 9.4 | 10.4 | 13.4 | 9.60 | 11.9 |
| CL536-0257-8-76 | DF13- 8P-1.25H(76) | 8 | 8.75 | 10.65 | 11.65 | 14.65 | 10.85 | 13.15 |
| CL536-0258-0-76 | DF13- 9P-1.25H(76) | 9 | 10.0 | 11.9 | 12.9 | 15.9 | 12.1 | 14.4 |
| CL536-0259-3-76 | DF13-10P-1.25H(76) | 10 | 11.25 | 13.15 | 14.15 | 17.15 | 13.35 | 15.65 |
| - | DF13-11P-1.25H(76) | 11 | 12.5 | 14.4 | 15.4 | 18.4 | 14.6 | 16.9 |
| CL536-0261-5-76 | DF13-12P-1.25H(76) | 12 | 13.75 | 15.65 | 16.65 | 19.65 | 15.85 | 18.15 |
| CL536-0263-0-76 | DF13-14P-1.25H(76) | 14 | 16.25 | 18.15 | 19.15 | 22.15 | 18.35 | 20.65 |
| CL536-0264-3-76 | DF13-15P-1.25H(76) | 15 | 17.5 | 19.4 | 20.4 | 23.4 | 19.6 | 21.9 |

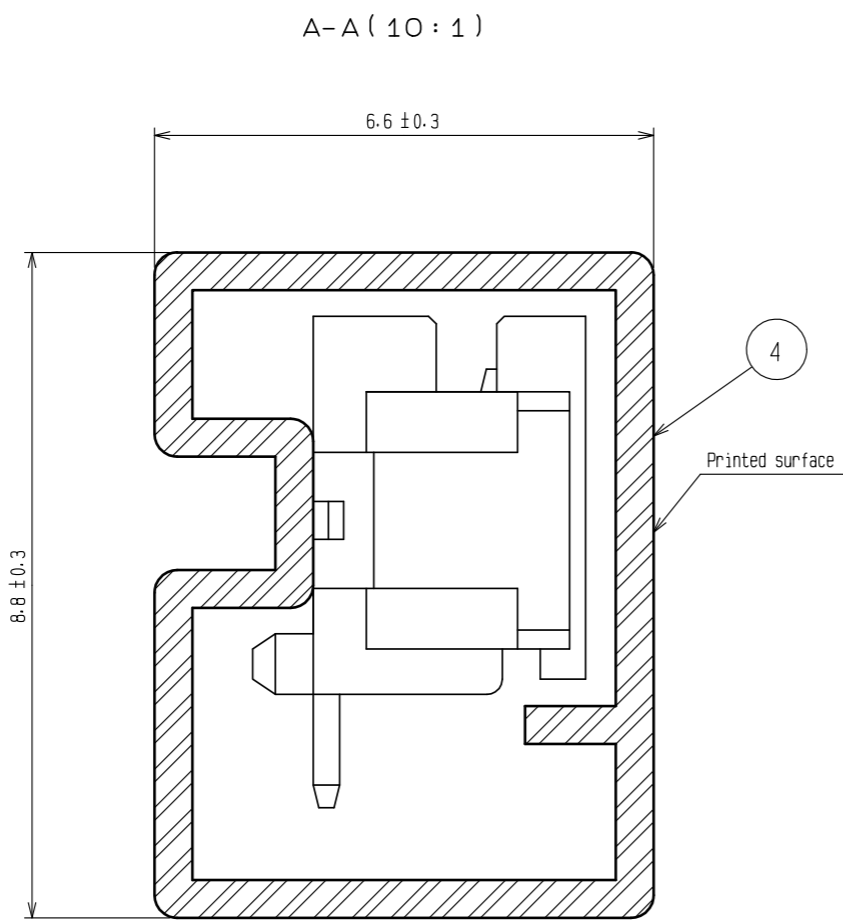
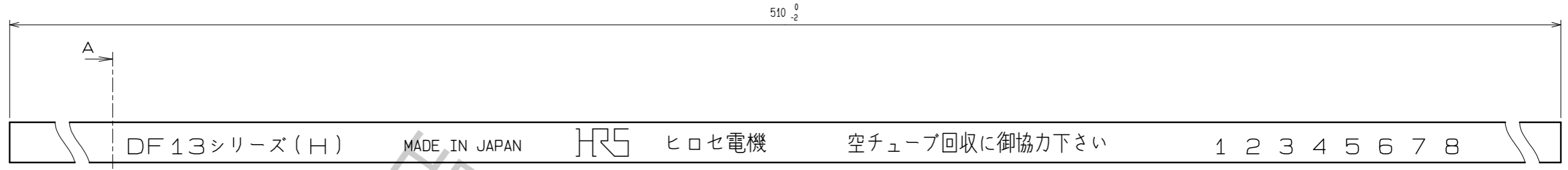
RECOMMENDED PATTERN



- Notes
- 1: When this connector mates with DF13-*S-1.25C the mating height is 3.6mm.
 - 2: There shall be standoff more than five contacts.
 - 3: When this connector has two or three contacts, the lock shall be set at the center of housing. If more than four, the two locks shall be set as shown on this drawing.
 - 4: Flatness of lead with reinforced metal fittings shall be within 0.1mm.
 - 5: When this connector has more than seven contacts, HRS marking and polarization marking shift to the place indicating dotted lines.

| | | | | | |
|-------------------------|-----------|--|-----------|--------------------------|-------------------|
| 2 | Brass | Surface plating:Gold plated 0.2µm min Under plating:Nickel platde 0.5µm min | 5 | Elastomer | Stopper, Gray |
| 1 | Polyamide | Beige(Natural), UL94V-0 | 4 | R. PVC | Tube, Clear |
| NO. | MATERIAL | FINISH . REMARKS | NO. | MATERIAL | FINISH . REMARKS |
| UNITS mm | | SCALE 5 : 1 | COUNT | DESCRIPTION OF REVISIONS | DESIGNED |
| APPROVED : HS. OKAWA | | | 18.03.16 | DRAWING NO. | EDC-083662-76-00 |
| CHECKED : TS. FUKUSHIMA | | | 18.03.16 | PART NO. | DF13-*P-1.25H(76) |
| DESIGNED : TS. KUMAZAWA | | | 18.03.16 | CODE NO. | CL536- |
| DRAWN : MK. INOUE | | | 18.03.01 | | |

Aug.1.2018 Copyright 2018 HIROSE ELECTRIC CO., LTD. All Rights Reserved.
 In case that the application demands a high level of reliability, such as automotive,
 please contact a company representative for further information.



| Code No. | Parts No. | Quantity of connector |
|-----------------|--------------------|-----------------------|
| CL536-0251-1-76 | DF13- 2P-1.25H(76) | 67 |
| CL536-0252-4-76 | DF13- 3P-1.25H(76) | 57 |
| CL536-0253-7-76 | DF13- 4P-1.25H(76) | 49 |
| CL536-0254-0-76 | DF13- 5P-1.25H(76) | 44 |
| CL536-0255-2-76 | DF13- 6P-1.25H(76) | 39 |
| CL536-0256-5-76 | DF13- 7P-1.25H(76) | 36 |
| CL536-0257-8-76 | DF13- 8P-1.25H(76) | 33 |
| CL536-0258-0-76 | DF13- 9P-1.25H(76) | 30 |
| CL536-0259-3-76 | DF13-10P-1.25H(76) | 28 |
| - | DF13-11P-1.25H(76) | 26 |
| CL536-0261-5-76 | DF13-12P-1.25H(76) | 24 |
| CL536-0263-0-76 | DF13-14P-1.25H(76) | 21 |
| CL536-0264-3-76 | DF13-15P-1.25H(76) | 20 |

Notes 6 : The tube has one stopper at each end.
 7 : Warpage of the tube shall be allowed ± 0.2 mm per 510mm.
 8 : Minimum unit of purchase shall be the quantity of connectors in tube.

| | | |
|------------|-------------|-------------------|
| HRS | DRAWING NO. | EDC-083662-76-00 |
| | PART NO. | DF13-*P-1.25H(76) |
| | CODE NO. | CL536- |