

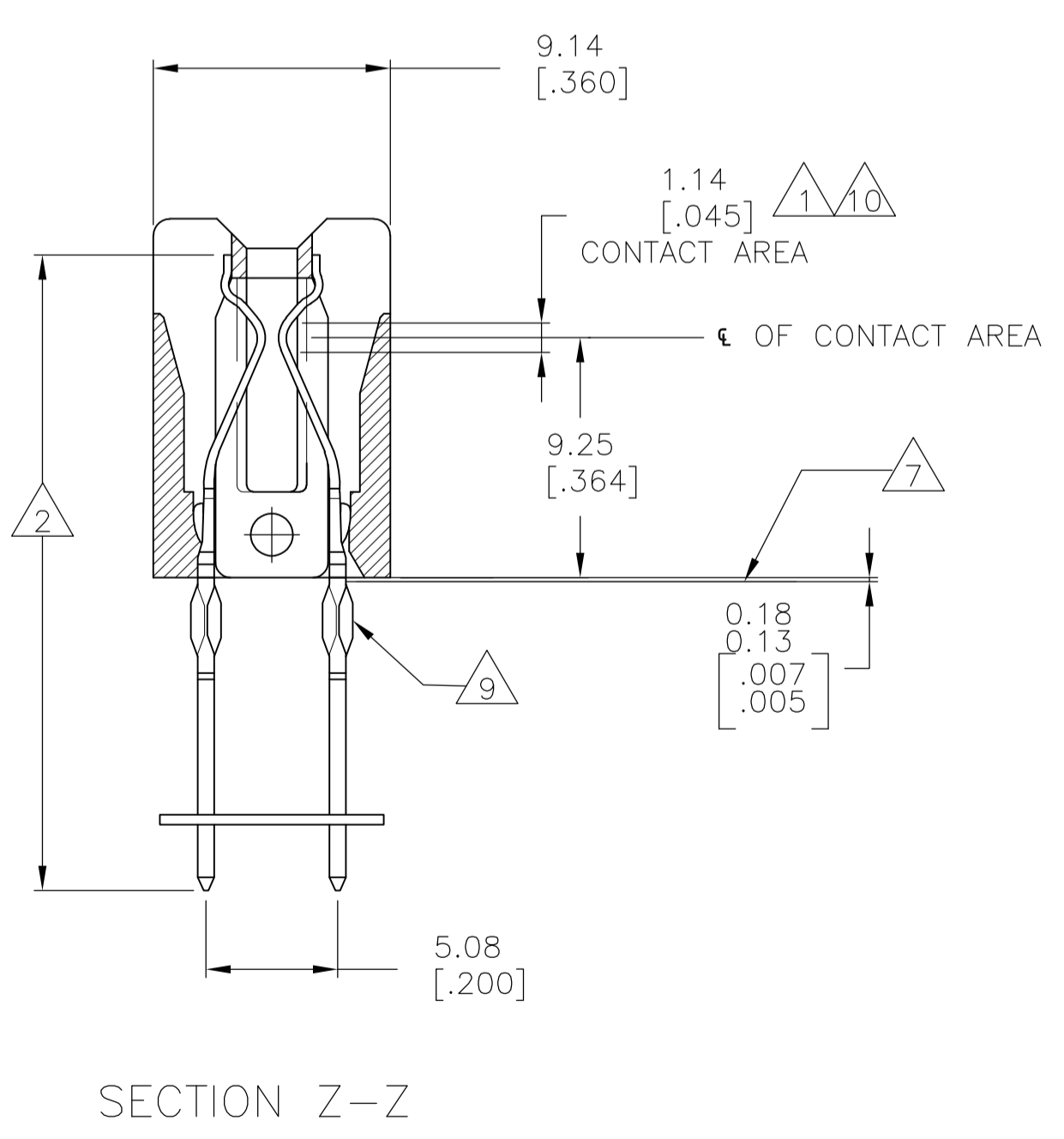
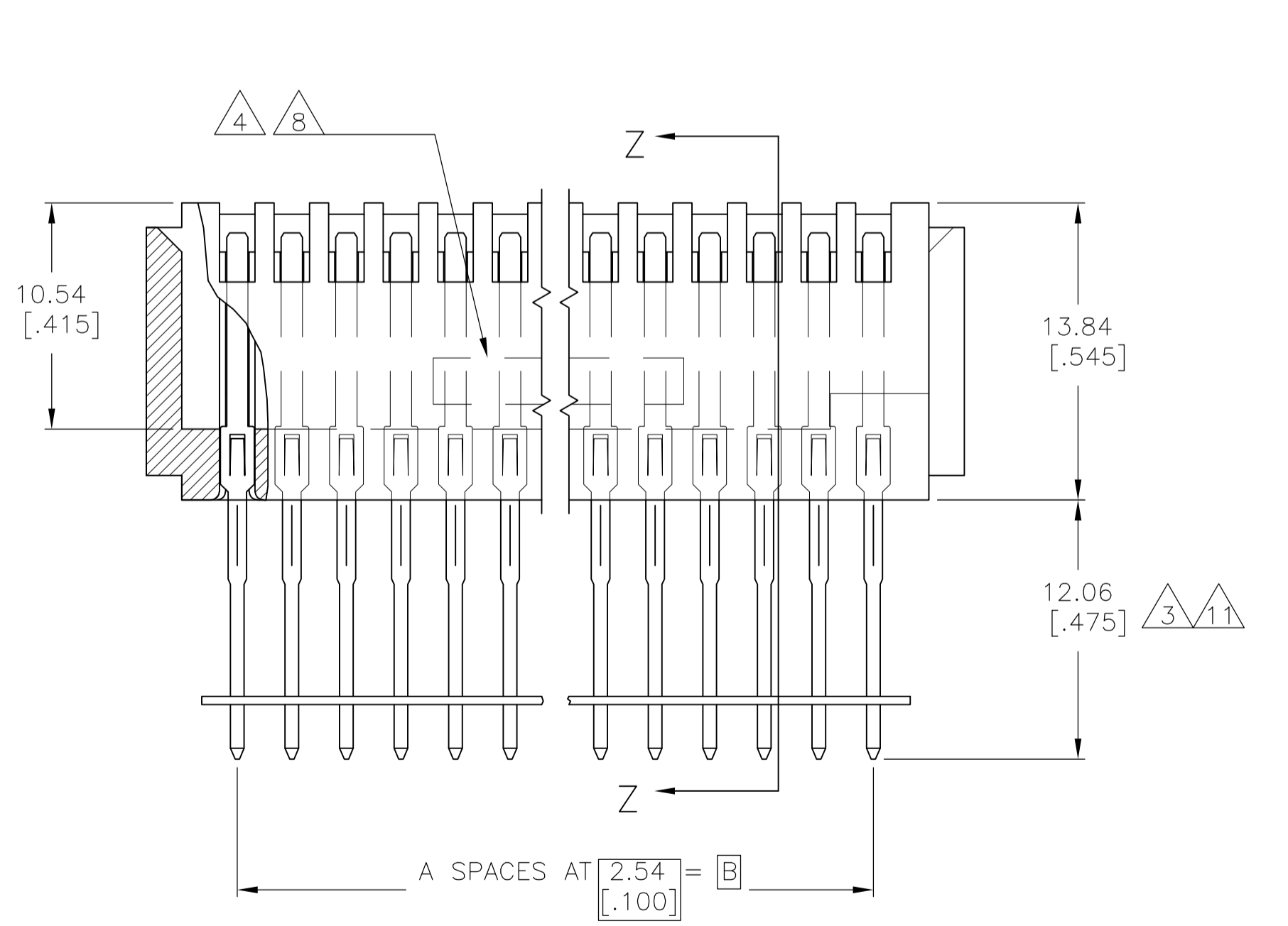
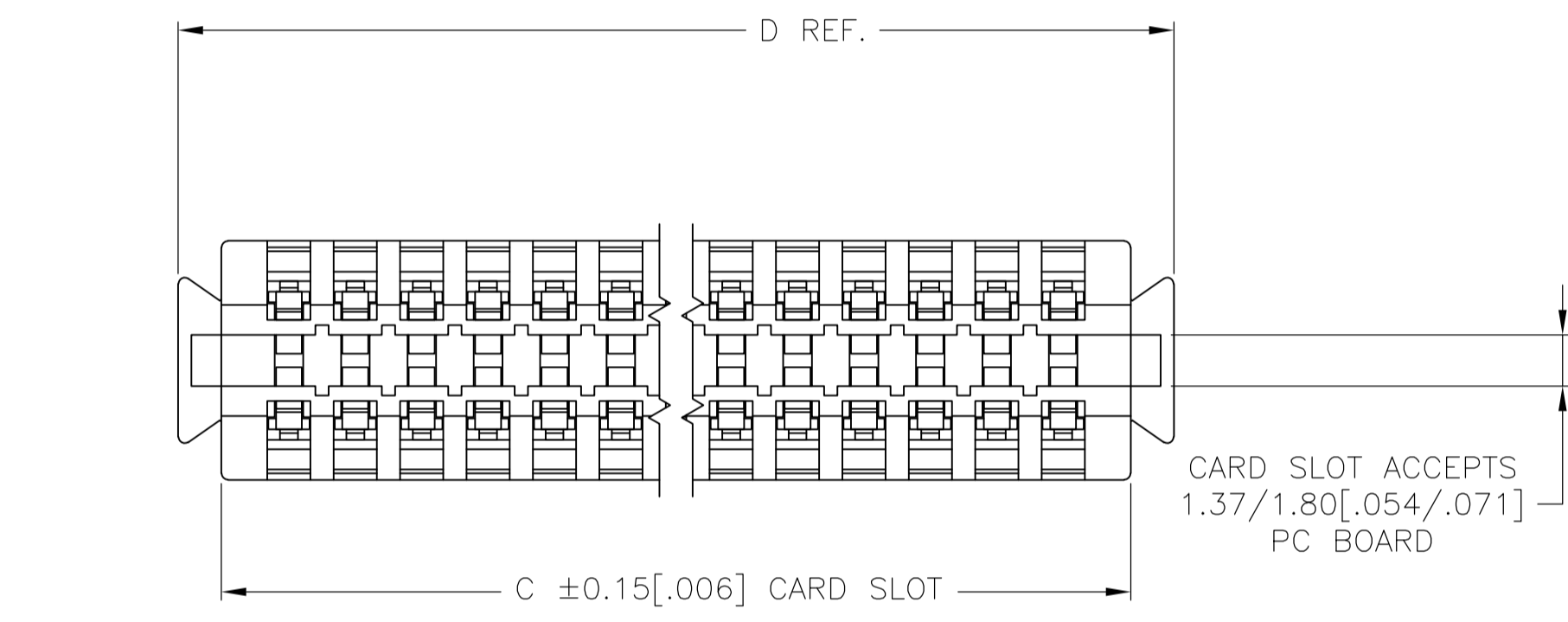
REVISONS		DATE	BY	APP'D
Y	REVISED PER EC 0G3C-0205-05	07FEB06	SSK	MM
Y1	REVISED PER ECO-09-020932	01SEP09	KK	AEG

- 1 GOLD PLATE .00076 [.000030] MIN. THICK.
- 2 NICKEL PL. .00127[.000050] MIN. THK. PER QQ-N-290.
- 3 TIN PL. .00254[.000100] MIN. THK.
- 4 STAMPED P/N & DATE CODE.
- 5. OPTIONAL: KEYING PLUG FOR INTERCONTACT KEYING IS 118982-1.
- 6. OPTIONAL: CARD GUIDE (BASE NO 117169).
- 7 TOP SURFACE OF P.C.BOARD AFTER APPLICATION DUE TO MYLAR THICKNESS.
- 8 ALL PARTS ASSEMBLED IN MEXICO MUST BE STAMPED "ASSY. IN MEXICO". THE WORD "MEXICO" CAN BE SUBSTITUTED ONLY WHERE PART SIZE PROHIBITS STAMPING "ASSY IN MEXICO", INK PER 115-9009, APPROX. WHERE SHOWN, SIDE OPTIONAL.
- 9 ACTION PIN REQUIRES 2.31[.084] MIN. THK. P.C. BOARD.

REQ'D DRILL SIZE	HOLE DIA ±.03[.001]	PLATING THICKNESS		HOLE DIAMETER		COPPER HARDNESS (KNOOP)	PAD DIA MIN.
		COPPER	TIN/LEAD	AFTER PLATING	AFTER REFLOW		
1.15mm	1.15 [.0453]	0.03-0.08 [.001-.003]	0.008 MIN. [.0003] MIN.	0.94-1.09 [.037-.043]	0.914-1.09 [.0036-.043]	150 MAX.	1.57 [.062]
1.15mm	1.15 [.0453]	NOT PLATED THRU.					1.65 [.065]

- 10 GOLD PL. .00076[.000030] MIN. THICK.
- 11 MATTE TIN PL. .00254[.000100] MIN. THK.
- 12 OBSOLETE PARTS: OBSOLETE CIS STREAMLINING PER D.RENAUD/D.SINISI

REV	DESCRIPTION	DATE	BY	APP'D
1	150.72 [5.934]	147.42 [5.804]	142.24 [5.600]	56 57 9-119216-3
1	140.56 [5.534]	137.26 [5.404]	132.08 [5.200]	52 53 8-119216-9
1	132.94 [5.234]	129.64 [5.104]	124.46 [4.900]	49 50 8-119216-6
1	130.40 [5.134]	127.10 [5.004]	121.92 [4.800]	48 49 8-119216-5
1	117.70 [4.634]	114.40 [4.504]	109.22 [4.300]	43 44 8-119216-0
1	107.54 [4.234]	104.24 [4.104]	99.06 [3.900]	39 40 7-119216-6
1	97.38 [3.834]	94.08 [3.704]	88.90 [3.500]	35 36 7-119216-2
1	94.84 [3.734]	91.54 [3.604]	86.36 [3.400]	34 35 7-119216-1
1	92.30 [3.634]	89.00 [3.504]	83.82 [3.300]	33 34 7-119216-0
1	82.14 [3.234]	78.84 [3.104]	73.66 [2.900]	29 30 6-119216-6
1	61.82 [2.434]	58.52 [2.304]	53.34 [2.100]	21 22 5-119216-8
1	160.88 [6.334]	157.58 [6.204]	152.40 [6.000]	60 61 4-119216-7
1	158.34 [6.234]	155.04 [6.104]	149.86 [5.900]	59 60 4-119216-6
1	155.80 [6.134]	152.50 [6.004]	147.32 [5.800]	58 59 4-119216-5
1	153.26 [6.034]	149.96 [5.904]	144.78 [5.700]	57 58 4-119216-4
1	150.72 [5.934]	147.42 [5.804]	142.24 [5.600]	56 57 4-119216-3
1	148.18 [5.834]	144.88 [5.704]	139.70 [5.500]	55 56 4-119216-2
1	145.64 [5.734]	142.34 [5.604]	137.16 [5.400]	54 55 4-119216-1
1	143.10 [5.634]	139.80 [5.504]	134.62 [5.300]	53 54 4-119216-0
1	140.56 [5.534]	137.26 [5.404]	132.08 [5.200]	52 53 3-119216-9
1	138.02 [5.434]	134.72 [5.304]	129.54 [5.100]	51 52 3-119216-8
1	135.48 [5.334]	132.18 [5.204]	127.00 [5.000]	50 51 3-119216-7
1	132.94 [5.234]	129.64 [5.104]	124.46 [4.900]	49 50 3-119216-6
1	130.40 [5.134]	127.10 [5.004]	121.92 [4.800]	48 49 3-119216-5
1	127.86 [5.034]	124.56 [4.904]	119.38 [4.700]	47 48 3-119216-4
1	125.32 [4.934]	122.02 [4.804]	116.84 [4.600]	46 47 3-119216-3
1	122.78 [4.834]	119.48 [4.704]	114.30 [4.500]	45 46 3-119216-2
1	120.24 [4.734]	116.94 [4.604]	111.76 [4.400]	44 45 3-119216-1
1	117.70 [4.634]	114.40 [4.504]	109.22 [4.300]	43 44 3-119216-0
1	115.16 [4.534]	111.86 [4.404]	106.68 [4.200]	42 43 2-119216-9
1	112.62 [4.434]	109.32 [4.304]	104.14 [4.100]	41 42 2-119216-8
1	110.08 [4.334]	106.78 [4.204]	101.60 [4.000]	40 41 2-119216-7
1	107.54 [4.234]	104.24 [4.104]	99.06 [3.900]	39 40 2-119216-6
1	105.00 [4.134]	101.70 [4.004]	96.52 [3.800]	38 39 2-119216-5
1	102.46 [4.034]	99.16 [3.904]	93.98 [3.700]	37 38 2-119216-4
1	99.92 [3.934]	96.62 [3.804]	91.44 [3.600]	36 37 2-119216-3
1	97.38 [3.834]	94.08 [3.704]	88.90 [3.500]	35 36 2-119216-2
1	94.84 [3.734]	91.54 [3.604]	86.36 [3.400]	34 35 2-119216-1
1	92.30 [3.634]	89.00 [3.504]	83.82 [3.300]	33 34 2-119216-0
1	89.76 [3.534]	86.46 [3.404]	81.28 [3.200]	32 33 1-119216-9
1	87.22 [3.434]	83.92 [3.304]	78.74 [3.100]	31 32 1-119216-8
1	84.68 [3.334]	81.38 [3.204]	76.20 [3.000]	30 31 1-119216-7
1	82.14 [3.234]	78.84 [3.104]	73.66 [2.900]	29 30 1-119216-6
1	79.60 [3.134]	76.30 [3.004]	71.12 [2.800]	28 29 1-119216-5
1	77.06 [3.034]	73.76 [2.904]	68.58 [2.700]	27 28 1-119216-4
1	74.52 [2.934]	71.22 [2.804]	66.04 [2.600]	26 27 1-119216-3
1	71.98 [2.834]	68.68 [2.704]	63.50 [2.500]	25 26 1-119216-2
1	69.44 [2.734]	66.14 [2.604]	60.96 [2.400]	24 25 1-119216-1
1	66.90 [2.634]	63.60 [2.504]	58.42 [2.300]	23 24 1-119216-0
1	64.36 [2.534]	61.06 [2.404]	55.88 [2.200]	22 23 119237-9
1	61.82 [2.434]	58.52 [2.304]	53.34 [2.100]	21 22 119216-8
1	59.28 [2.334]	55.98 [2.204]	50.80 [2.000]	20 21 119216-7
1	56.74 [2.234]	53.44 [2.104]	48.26 [1.900]	19 20 119216-6
1	54.20 [2.134]	50.90 [2.004]	45.72 [1.800]	18 19 119216-5
1	51.66 [2.034]	48.36 [1.904]	43.18 [1.700]	17 18 119216-4
1	49.12 [1.934]	45.82 [1.804]	40.64 [1.600]	16 17 119216-3
1	46.58 [1.834]	43.28 [1.704]	38.10 [1.500]	15 16 119216-2
1	44.04 [1.734]	40.74 [1.604]	35.56 [1.400]	14 15 119216-1



THIS DRAWING IS A CONTROLLED DOCUMENT.

DIMENSIONS: mm [INCHES]
 TOLERANCES UNLESS OTHERWISE SPECIFIED:
 0 PLC ± -
 1 PLC ± -
 2 PLC ± -
 3 PLC ± ± 0.25 [.010]
 4 PLC ± -
 ANGLES ± -

MATERIAL: HOUSING: VALOX 420 500, BLACK
 CONTACTS: PHOSPHOR BRONZE
 STRIP: MYLAR, CLEAR

FINISH: 1 2 3 10 11

CUSTOMER DRAWING
 SCALE: 4:1
 SHEET: 1 of 1
 REV: Y1

Tyco Electronics Corporation
 Harrisburg, Pa 17105-3608
 CONNECTOR, AMP PACE . 100x.200
 SIZE: A1
 CAGE CODE: 00779
 DRAWING NO: 119216
 WEIGHT: -