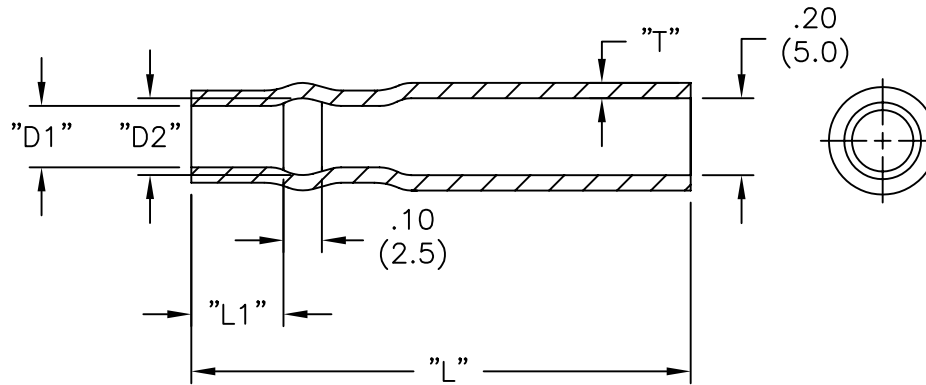


PART #	WIRE O.D. RANGE	WIRE Ga.	"D1"	"D2"	"L1" ±.04 (±1.0)	"L" ±.04 (±1.0)	"T"
215025	.058-.091	22-18	.10(2.5)	.16(4.0)	.24(6.0)	1.30(33.0)	.04(1.0)
215028	.058-.091	22-18	.11(2.8)	.18(4.5)	.24(6.0)	1.34(34.0)	.04(1.0)
215030	.068-.113	20-18	.12(3.0)	.16(4.0)	.24(6.0)	1.30(33.0)	.04(1.0)
215032	.071-.126	18-16	.13(3.2)	.18(4.5)	.28(7.0)	1.34(34.0)	.04(1.0)
215035	.071-.140	18-14	.14(3.5)	.16(4.0)	.24(6.0)	1.30(33.0)	.04(1.0)
215040	.091-.140	16-14	.16(4.0)	.20(5.0)	.24(6.0)	1.30(33.0)	.04(1.0)



NOTES:

1. MATERIAL: SOFT PVC (RMS-55).
2. COLOR: TRANSPARENT BLUE.

A	CHANGED FILE NO. AND TITLE BLOCK	SM 03.21.02
REV	DESCRIPTION	ENGR DATE

TITLE: INSULATING SLEEVE FOR PIN RECEPTACLE		DWG IN IN (MM)		FINAL			
TOLERANCES UNLESS NOTED .XX=±.010 .XXX=±.005 FRAC=±1/64 ANG=±1°		FILE # 2150XX	DWN: D.D.	APP:	PART #		PRINT TYPE
		MAT'L: SEE NOTES	DT: 05-21-96	DT:	SEE TABLE		CA
		RE: RICHCO, INC.	RICHCO INC. PO BOX 804238, CHICAGO, 60680 (773) 539-4060				