

Directive 2002/95/EC
RoHS*
Compliant

NOTES:

1. METALSHELLS: COPPER ALLOY; min. 315µm TIN over 40-80µm NICKEL
2. INSULATORS: PBT GF UL 94 V-0; GREEN
3. SIGNAL CONTACTS: COPPER ALLOY
PLATING: 30µm HARD GOLD over min. 50µm NICKEL
CONTACT TAILS PRETINNED
4. HIGH POWER CONTACTS 40A: COPPER ALLOY
PLATING MATING AREA: 30µm HARD GOLD over min. 50µm NICKEL
PLATING TERMINATION SIDE: 160-240µm TIN over 80µm NICKEL
5. THREADED INSERTS: COPPER ALLOY; min. 200µm TIN over 80µm NICKEL
6. METAL BRACKETS: ZINC DIE CAST; 300µm COPPER/40-120µm NICKEL/
120-200µm TIN
7. PCB-SNAPS: COPPER ALLOY; min. 200µm TIN over 80µm NICKEL
PCB-HOLE: ø3.1±0,1mm; PCB-THICKNESS: 1,6mm
8. P.C.B. HOLE DRILLINGS ON SHEET 2
9. MAXIMUM TORQUE VALUE FOR THREAD: 6 in.LB
10. CONNECTOR IS PART MARKED: 13-503291 CONEC ABC

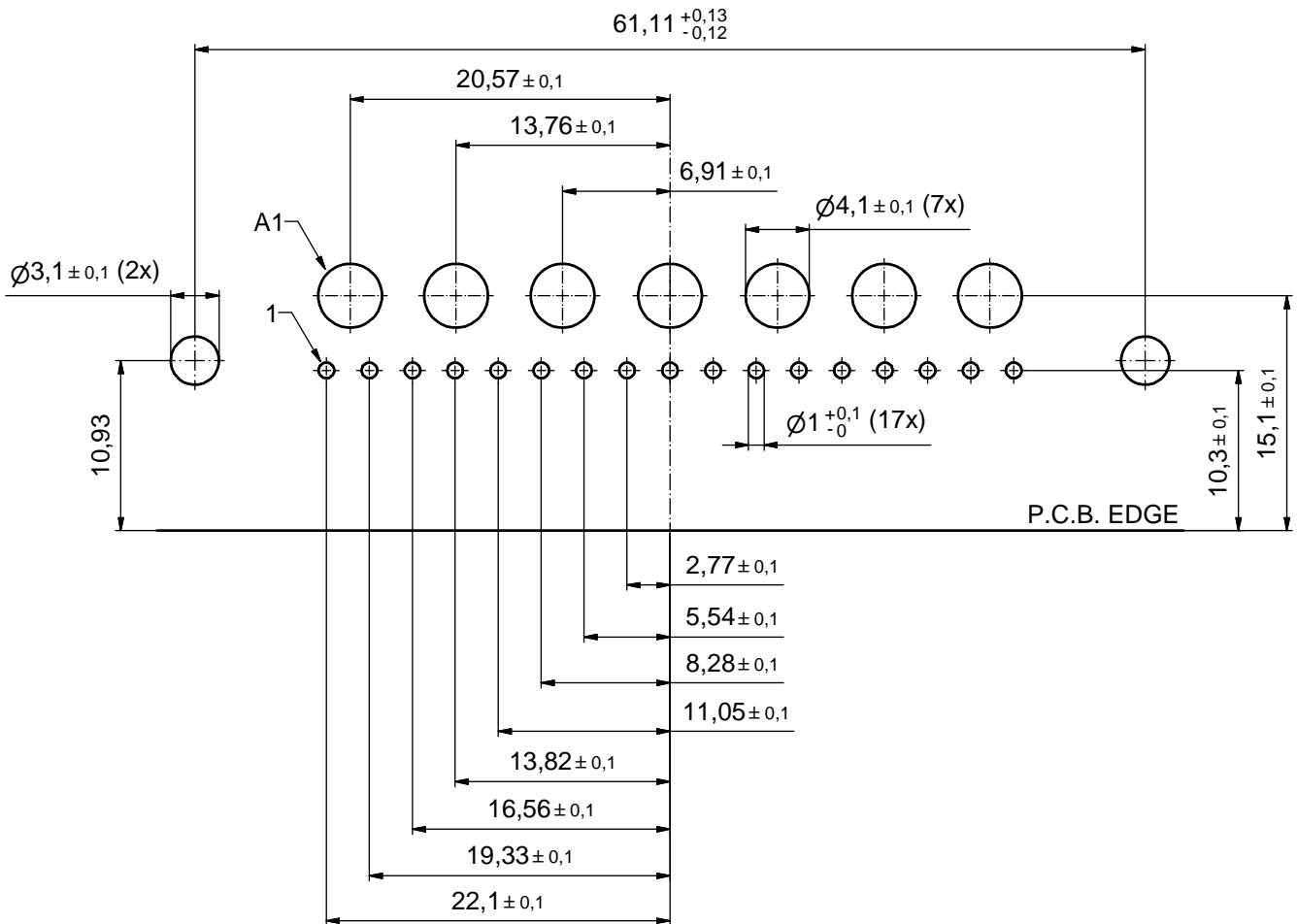
APPROVAL # FREIGABE # DEBLOCAGE # AUTORIZACION # APPROVAL	
CUSTOMER APPROVAL DATE:	
NAME:	TITLE:
COMPANY NAME:	
APPROVAL # FREIGABE # DEBLOCAGE # AUTORIZACION # APPROVAL	

Customer Specific Product				tolerance	dim. in mm
date	name				
drawn	05.08.10	Lehmenkühler			
appd.	06.08.10	Fischer			
norm					
d-old					
a	Origin				
rev.	description	date	name		

scale: 2:1 (5:1)	
material: SEE NOTES	
title: D-SUB COMBINATION MALE 90° 24W7P SOLDER PIN ANGLED with threaded insert, metal bracket and snap	
dwg no: Inventor 10	DIN-A3
13K1A3361	
sh: 1	
part no: 13-503291	



P.C.B. HOLE DRILLINGS
(P.C.B. TOP SIDE)



APPROVAL # FREIGABE # DEBLOCAGE # AUTORIZACION # APPROVAL	
CUSTOMER APPROVAL DATE:	
NAME:	TITLE:
COMPANY NAME:	
APPROVAL # FREIGABE # DEBLOCAGE # AUTORIZACION # APPROVAL	

THIS DRAWING MAY NOT BE COPIED OR REPRODUCED IN ANY WAY, AND MAY NOT BE PASSED ON TO A THIRD PARTY WITHOUT WRITTEN PERMISSION. OWNERSHIP AND COPYRIGHT OF CONEC GmbH				tolerance		dim. in mm	
DO NOT ALTER CAD DRAWING BY HAND				date	name		
a Origin				drawn	05.08.10	Lehmenkühler	
rev.				appd.	06.08.10	Fischer	
				norm			
				d-old			

scale: 3:1	
material: SEE SHEET 1	
title: P.C.B. HOLE DRILLINGS D-SUB COMBINATION MALE 90° 24W7P with threaded insert, metal bracket and snap	
dwg no: Inventor 10	DIN-A3
13K1A3361	
sh: 2	
part no: SEE SHEET 1	