

JG0-0129NL 4

NOTICE: THE INFORMATION AND DESIGN CONTAINED HEREIN IS THE PROPERTY OF PULSE WHO RESERVES ALL RIGHTS THERETO.

ELECTRICAL CHARACTERISTICS AT 25°C

PARAMETER	SPECIFICATIONS	
	INSERTION LOSS	100 KHz -1.2 dB MAX
RETURN LOSS, 1000BT (Z OUT = 100 OHM)	.1-40 MHz -18 dB MIN	40-100 MHz -12+20*LOG <sub>10</sub> (f/80 MHz) dB MIN
INDUCTANCE (OCL) (MEDIA SIDE, 0°C-70°C)	350 uH MIN (MEASURED AT 100 KHz, 100 mVRMS AND WITH 8 mA DC BIAS)	
CROSSTALK, ADJACENT CHANNELS	1 MHz -40 dB MIN	10-100 MHz -40+10*LOG <sub>10</sub> (f/10) dB MIN
	2 MHz -50 dB MIN	30-200 MHz -15+20*LOG <sub>10</sub> (f/200) dB MIN
COMMON MODE REJECTION RATIO	2250 VDC FOR 60 SECONDS	
INPUT - OUTPUT ISOLATION	2250 VDC FOR 60 SECONDS	

NOTE: f IS FREQUENCY IN MHZ.

EMMITTED COLOR	GREEN	YELLOW
WAVELENGTH (nm)	568 nm	585 nm
BRIGHTNESS - TYP (mCD) If (mA)	8.5 20	6 20
VIEWING ANGLE	100°	100°
POWER DISSIPATION (Pd)	100 mW MAX	100 mW MAX
PEAK FORWARD CURRENT(10 uS PULSE)	150 mA MAX	150 mA MAX
FORWARD VOLTAGE (Vr) (if = 20mA)	2.2 TO 2.6 VOLTS	2.1 TO 2.6 VOLTS

NOTE: PER VENDOR'S SPECIFICATION

D

C

B

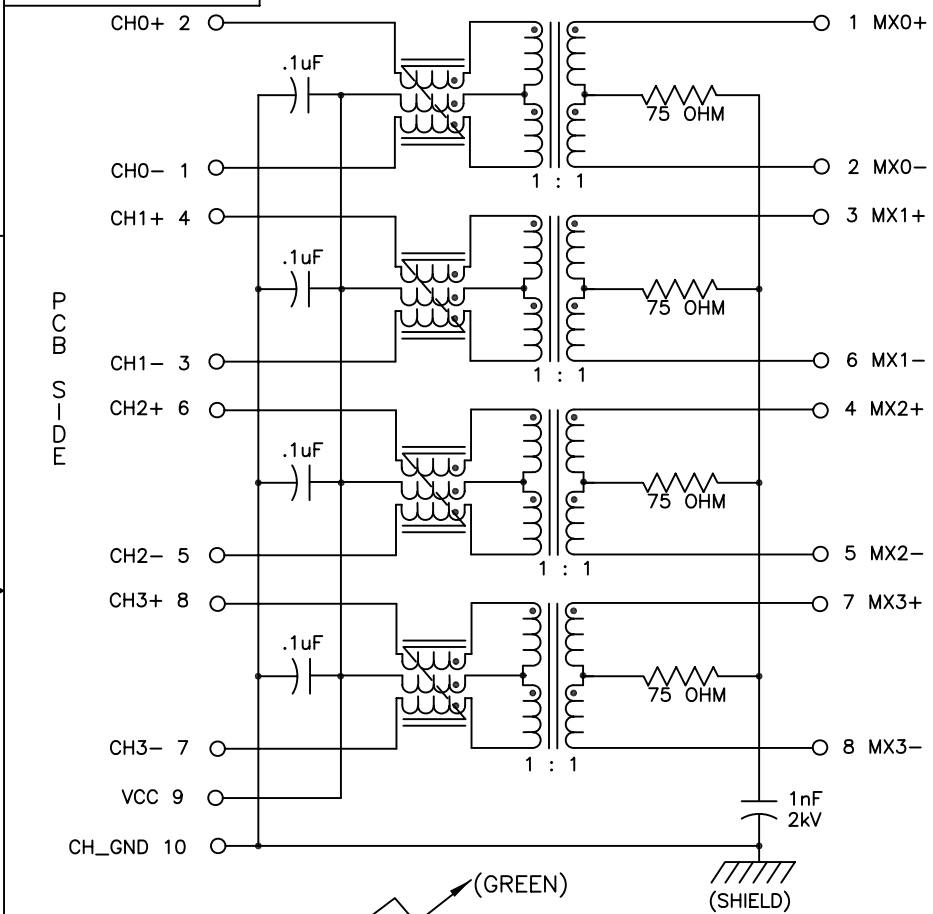
A

D

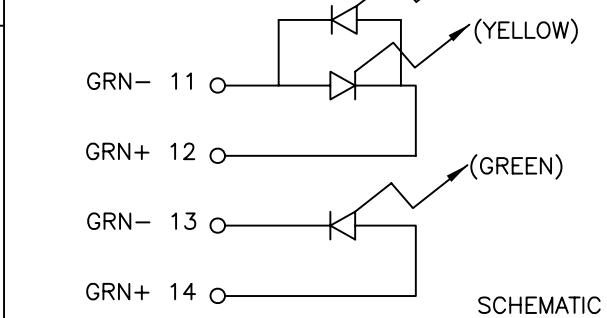
C

B

A



CABLE SIDE



SCHEMATIC

NOTICE: THIS IS A RoHS COMPLIANT COMPONENT/PRODUCT. ALL ENGINEERING CHANGES MUST HAVE PRIOR APPROVAL BY THE DESIGN CENTER.

RoHS

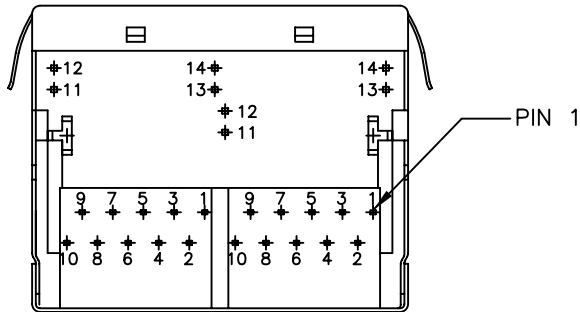
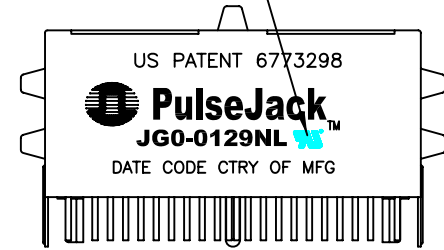
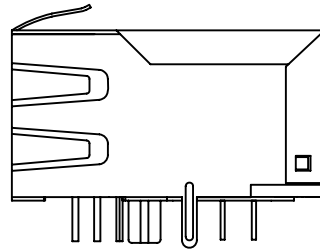
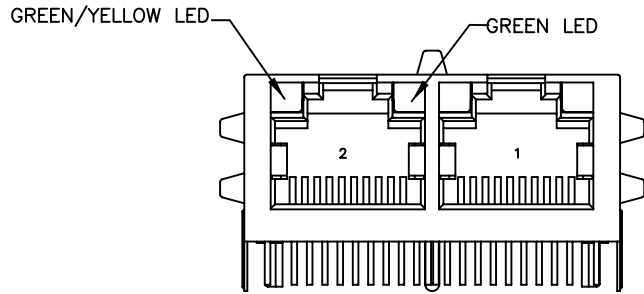
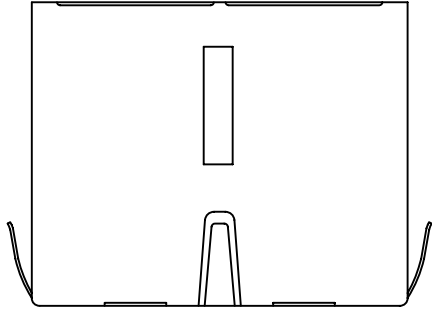
UNLESS OTHERWISE SPECIFIED, ALL DIMENSIONS ARE IN INCHES. TOLERANCES ARE:  
 DECIMALS .XX ±.01 ANGLES ± 1°  
 .XXX ±.005  
 DO NOT SCALE DRAWING

SIZE	CAGE CODE	DWG. NO.	REV.
B01961	JG0-0129NL	X1	
SCALE	CADD FILE	SHEET	OF
NONE	JG0-0129NL-1	1	4

JG0-0129NL

NOTICE: THE INFORMATION AND DESIGN CONTAINED HEREIN IS THE PROPERTY OF PULSE WHO RESERVES ALL RIGHTS THERETO.

FINAL OUTLINE NOTE:  
CHECK DIMENSIONS PER PACKAGE SPECIFICATION, ITEM 10.



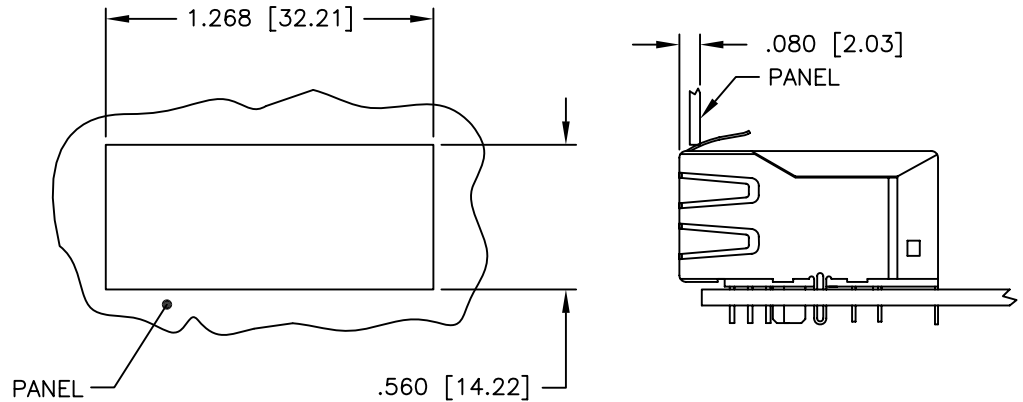
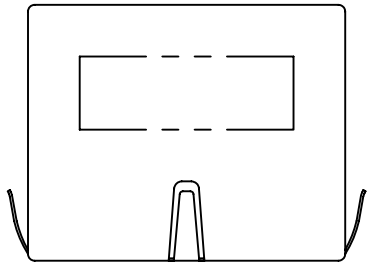
BOTTOM VIEW

UNLESS OTHERWISE SPECIFIED, ALL DIMENSIONS ARE IN INCHES  
TOLERANCES ARE:  
DECIMALS ANGLES  
.XX ±.01 ± 1°  
.XXX ±.005  
DO NOT SCALE DRAWING

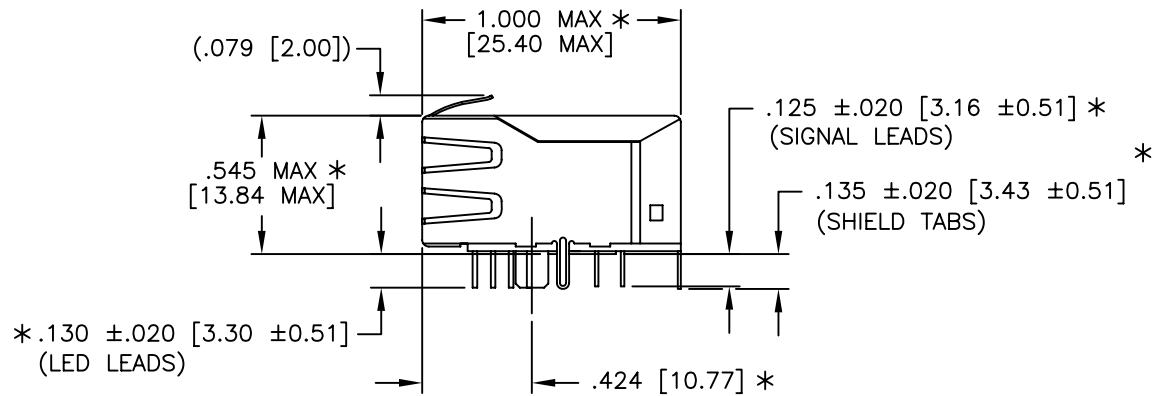
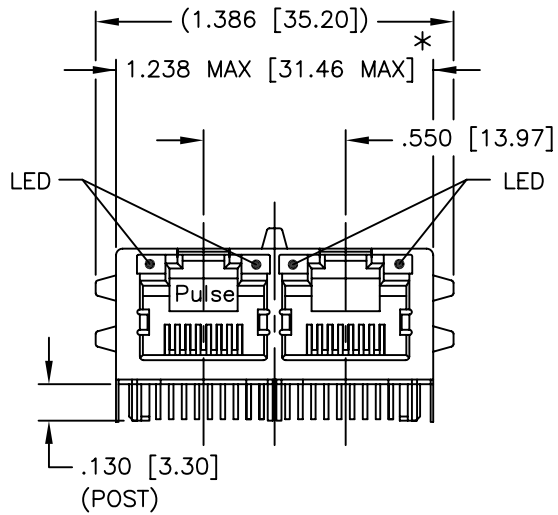
SIZE	CAGE CODE	DWG. NO.	REV.
B01961		JG0-0129NL	X1
SCALE	CADD FILE	SHEET	
NONE	JG0-0129NL-2	2 OF 4	

JG0-0129NL

NOTICE: THE INFORMATION AND DESIGN CONTAINED HEREIN IS THE PROPERTY OF PULSE WHO RESERVES ALL RIGHTS THERETO.



SUGGESTED PANEL CUTOUT



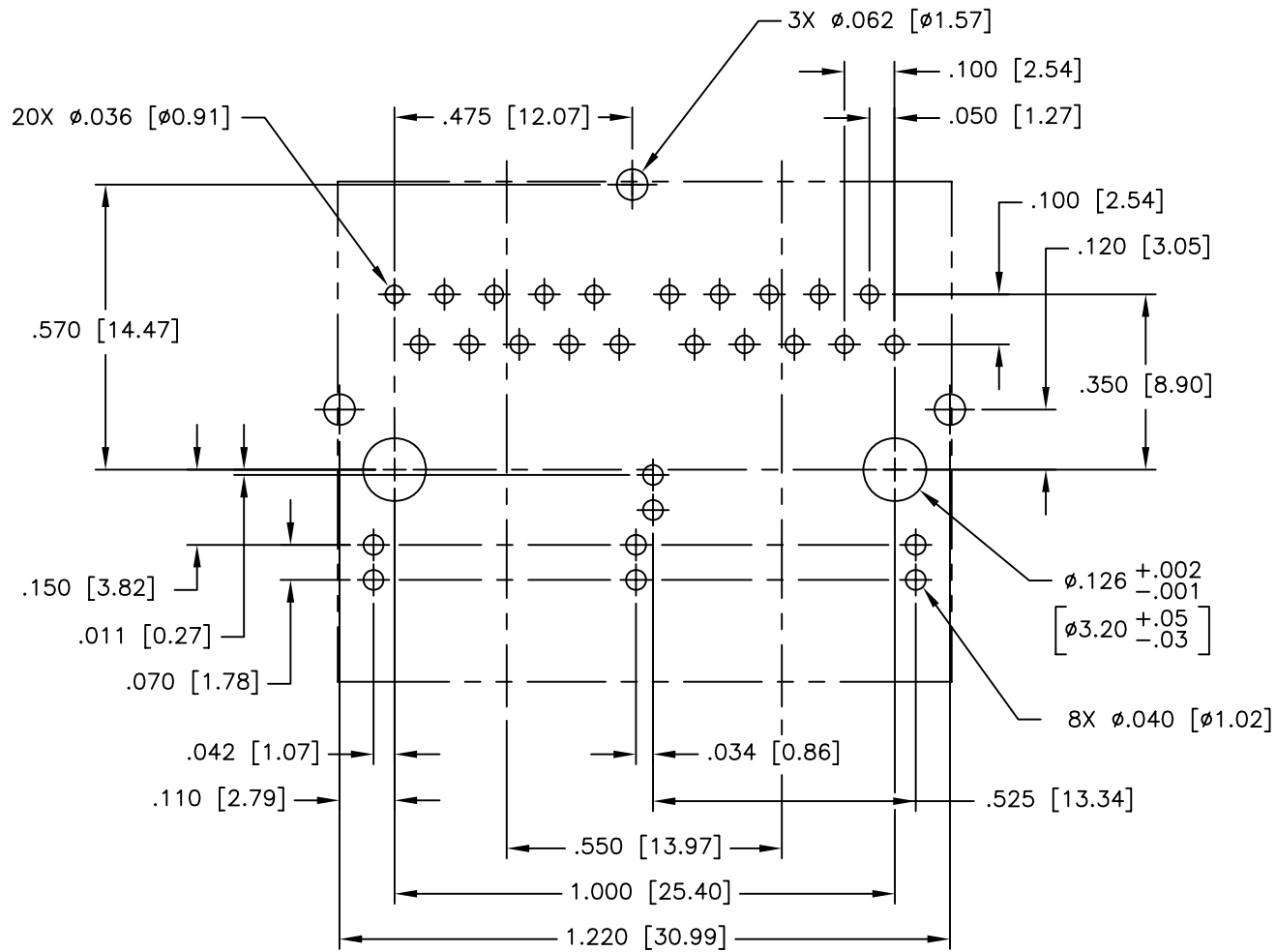
\*.130 ±.020 [3.30 ±.51] (LED LEADS)

UNLESS OTHERWISE SPECIFIED, ALL DIMENSIONS ARE IN INCHES TOLERANCES ARE:  
DECIMALS: .XX ±.01, .XXX ±.005  
ANGLES: 3°  
DO NOT SCALE DRAWING

SIZE	CAGE CODE	DWG. NO.	REV
2/1	B01961	JG0-0129NL	X1
SCALE		CADD FILE	SHEET
2/1		JG0-0129NL-3	3 OF 4

JG0-0129NL

NOTICE: THE INFORMATION AND DESIGN CONTAINED HEREIN IS THE PROPERTY OF PULSE WHO RESERVES ALL RIGHTS THERETO.



SUGGESTED FOOTPRINT (COMPONENT SIDE SHOWN)  
 DIMENSIONAL TOLERANCE: (UNLESS OTHERWISE SPECIFIED)  
 .XXX ±.003 [X.XX ±0.08]

UNLESS OTHERWISE SPECIFIED, ALL DIMENSIONS ARE IN INCHES  
 TOLERANCES ARE:  
 DECIMALS: .XX ±.01  
 .XXX ±.005  
 ANGLES: 3°  
 DO NOT SCALE DRAWING

SIZE	CAGE CODE	DWG. NO.	REV
4/1	B01961	JG0-0129NL	X1
SCALE	CADD FILE	SHEET	
4/1	JG0-0129NL-4	4 OF 4	