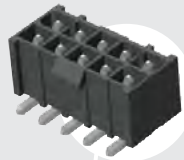


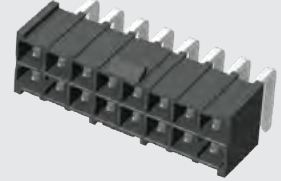


(4.19 mm) .165"

IPBT-105-H2-T-D-K



IPBT-108-H1-T-D-RA-K



IPBT-105-H1-T-D-GP

IPBT SERIES

# ISOLATED TERMINAL POWER HEADER

## SPECIFICATIONS

For complete specifications see [www.samtec.com?IPBT](http://www.samtec.com?IPBT)

**Insulator Material:** Black Liquid Crystal Polymer

**Contact Material:** High Copper Alloy

**Plating:** Sn over 50 μm (1.27 μm) Ni

**Operating Temp Range:** -55 °C to +105 °C

**Voltage Rating:** 400 VAC/565 VDC

**Standard Creepage:** (3.66 mm) .144" (-S)

(3.63 mm) .143" (-D)

**Standard Clearance:** (3.05 mm) .120"

**RoHS Compliant:** Yes

**Lead-Free Solderable:** Yes

Yes

**Board Mates:**

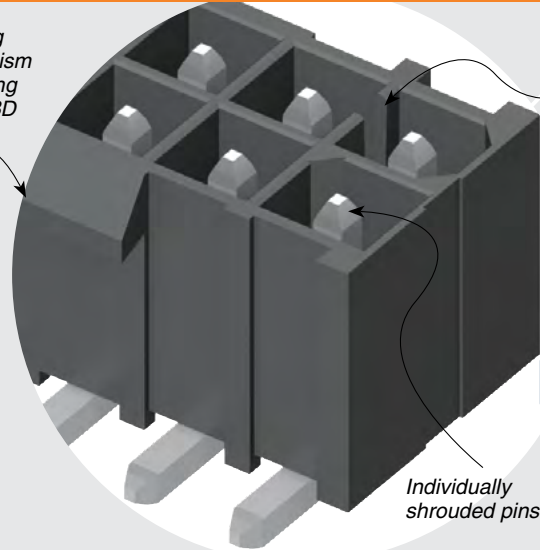
IPBS, IPBD

**Cable Mates:**

PMSD, PMSS

IPBT/IPBS	
PINS POWERED	CURRENT RATING (PER CONTACT)
2	10.3 A
4	8.4 A
6	7.6 A
8	7.1 A
30	6.0 A

Latching mechanism for mating with IPBD Series



Keyed polarization

Individually shrouded pins

**RUGGEDIZED**  
BY SAMTEC

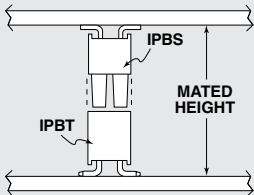
- Individually shrouded contacts
- Polarized guide post hole option

## RECOGNITIONS

For complete scope of recognitions see [www.samtec.com/quality](http://www.samtec.com/quality)



## APPLICATION



IPBT/IPBS LEAD STYLE	MATED HEIGHT*
H1-01	(15.25) .600
-H2-02	(16.84) .663

\*Processing conditions will affect mated height.

## ALSO AVAILABLE (MOQ Required)

- Other sizes
  - Other lead styles
  - Increased creepage and clearance with the removal of contacts
- Contact Samtec.

**Note:** Some lengths, styles and options are non-standard, non-returnable.

IPBT	1	NO. OF POSITIONS PER ROW	LEAD STYLE	PLATING OPTION	ROW OPTION	OPTION
		02, 03, 04, 05, 08, 10, 15 (-D only)	-H1 = Through-hole -H2 = Surface Mount	-T = Matte Tin	-S = Single Row -D = Double Row	-RA = Right-angle (Lead Style -H1 only) -GP = Guide Post Holes (8 positions not available) -K = Keyed Polarization (not available with -GP option, is required callout if -GP not called out)
		02, 03, 04, 05, 08, 10 (Standard sizes)				
			(10.29) .405	(9.65) .380	(3.30) .130	
			-H1-S	(1.14) .045 SQ	-H1-D	
			(11.40) .449	(6.58) .259	(9.60) .378	(15.62) .615
			-H2-S	No. of Positions x (4.19) .165 + (1.33) .052	(11.43) .450	-H2-D
			(1.52) .060	(3.43) .135 DIA	(5.21) .205	(4.06) .160
			-H1-S-RA	No. of Positions x (4.19) .165 + (12.27) .483	(3.73) .147	(5.51) .217
				No. of Positions x (4.19) .165 + (6.10) .240	(10.77) .424	(1.52) .060
						-GP OPTION
						-H1-D-RA