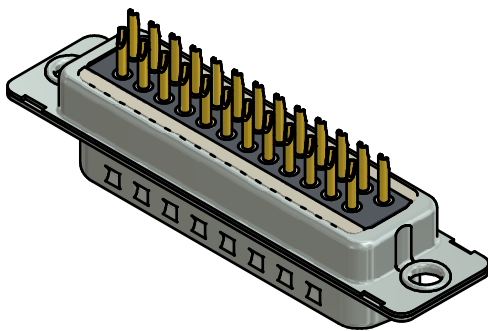
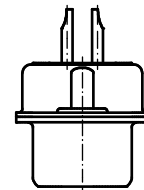
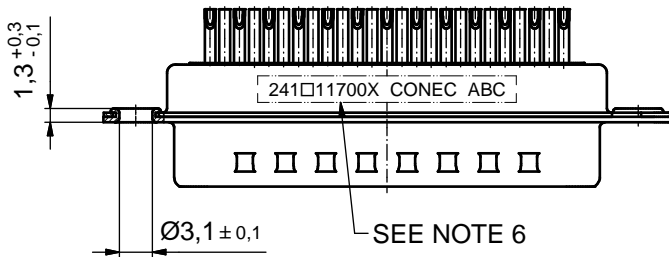
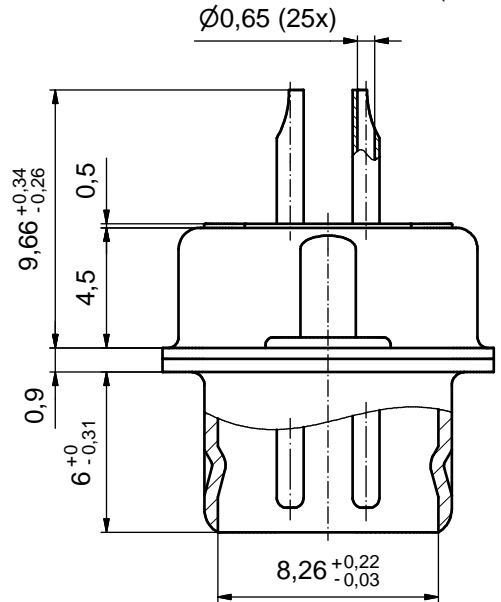
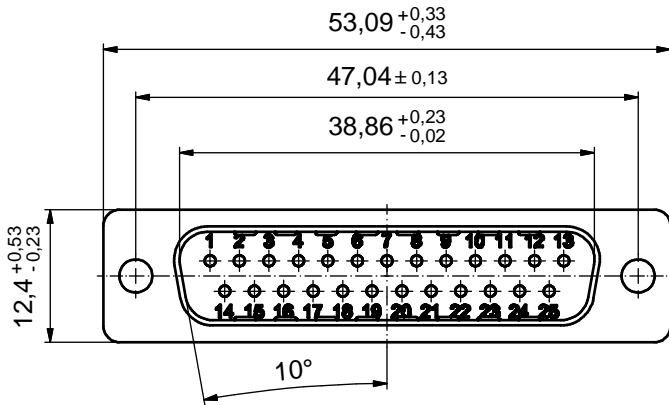


(5:1)



NOTES:

- METALSHELLS: STEEL; min. 315µm TIN over 40-80µm NICKEL
- INSULATOR: HIGH TEMPERATURE PLASTIC UL 94 V-0; BLACK
- CONTACTS: COPPER ALLOY; PLATING (SEE PART NO.)
 - PLEASE ADD A for GOLD FLASH over NICKEL (PREFERRED TYPE)
 - PLEASE ADD B for 20µm HARD GOLD over min. 50µm NICKEL
 - PLEASE ADD C for 30µm HARD GOLD over min. 50µm NICKEL
- CAPACITANCE: 830pF ± 20%
- DIELECTRIC WITHSTANDING VOLTAGE: 424 VDC
- CONNECTOR IS PART MARKED: 241□11700X CONEC ABC (see note 3)

RoHS compliant

THIS DRAWING MAY NOT BE COPIED OR REPRODUCED IN ANY WAY, AND MAY NOT BE PASSED ON TO A THIRD PARTY WITHOUT WRITTEN PERMISSION. OWNERSHIP AND COPYRIGHT OF CONEC GmbH DO NOT ALTER CAD DRAWING BY HAND	tolerance		dim. in mm		scale: 2:1 (5:1)	
					material: SEE NOTES	
	date		name		title:	
	drawn 24.03.2016		Unkrüer		D-SUB C-FILTER MALE 25pos. SOLDER CUP	
	appd. 24.03.2016		Lehmenkühler			
	norm		d-old		dwg no:	
a Original				24K1A1675		
rev.	description	date	name	part no: 241□11700X (see note 3)		



DIN-A3
sh: 1