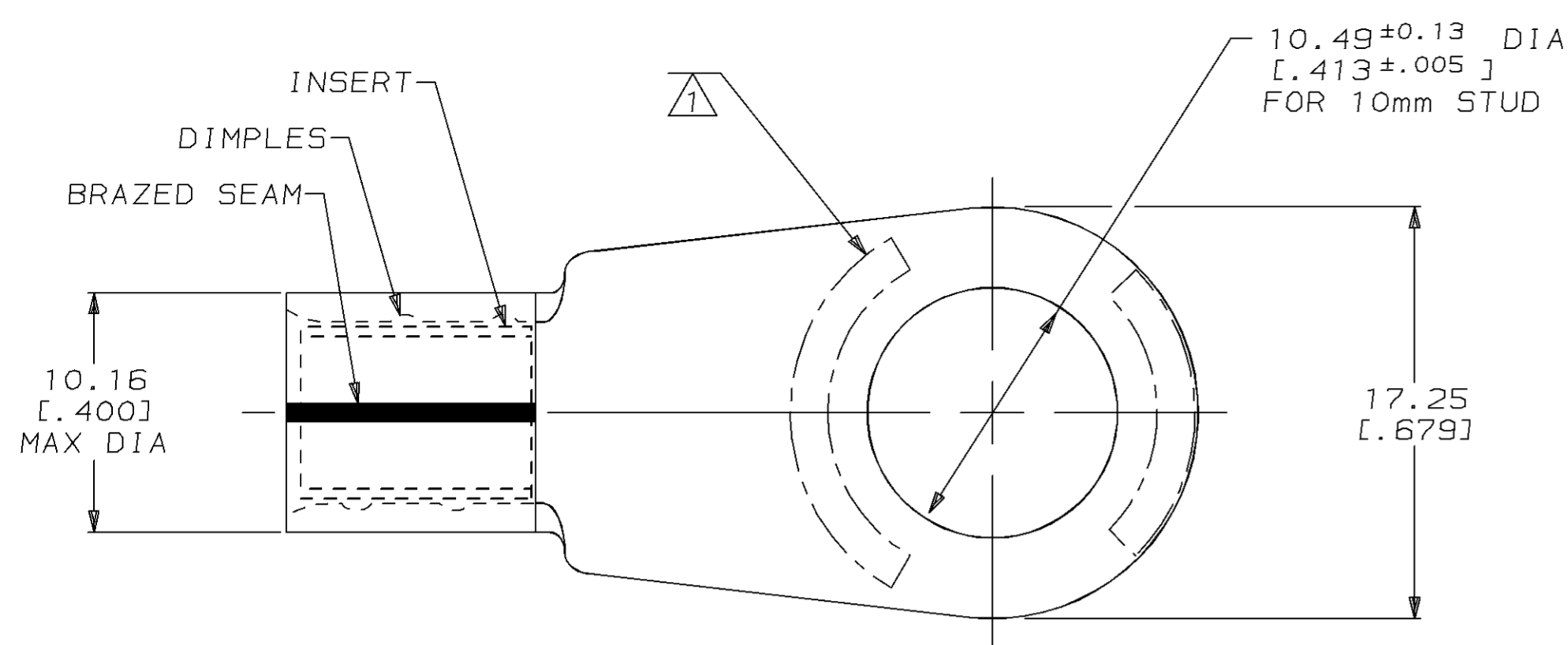
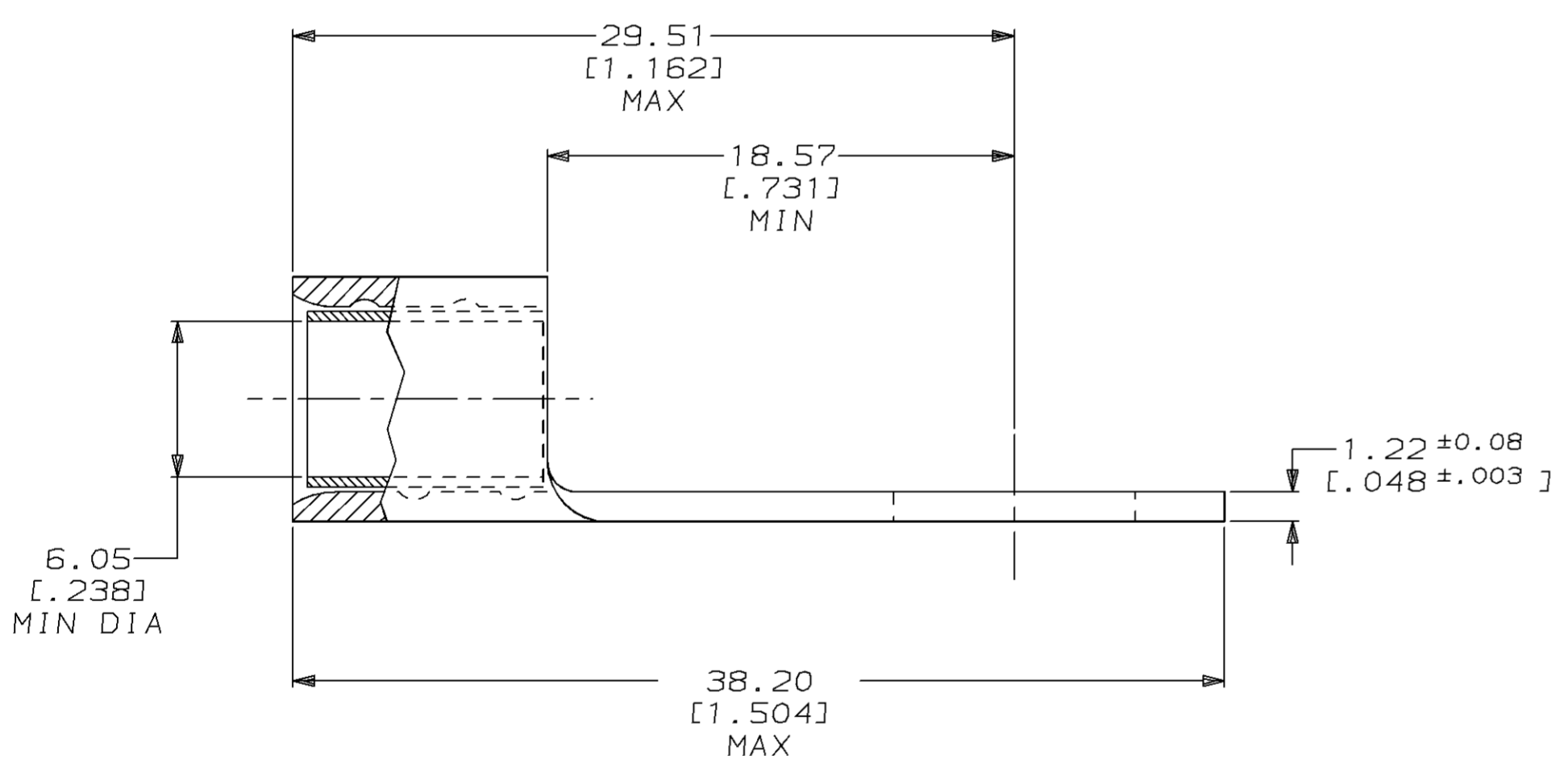


LOC	DIST	P	F	ZONE	LTR	DESCRIPTION	DATE	APPD
G	86					0 RELEASED PER PR 94-116	18JUL94	OKS AJK

METRIC
 DIMENSIONS LISTED IN mm [INCHES]



△ 1 STAMP AMP 6 AL90CU APPROX AS SHOWN



BODY: COPPER PER ASTM B-152 TIN PLATE 0.00254[.000100] MIN THK PER MIL-T-10727	184079-1
INSERT: COPPER PER ASTM B-152 TIN PLATE 0.00254[.000100] MIN THK PER MIL-T-10727	

AMP INCORPORATED CUSTOMER SERVICE SYSTEMS		MAX RECOMMENDED OPERATING TEMPERATURE: 170°C MAX	DO NOT SCALE PRINT. UNLESS SPECIFIED DIMENSIONS IN mm [INCHES] TOLERANCES ON: 2 PLC DEC ± - 3 PLC DEC ± - ANGLES ± -	DR 18JUL94 DK SCHRUM	AMP AMP Incorporated Harrisburg, PA 17105-3608
FOR ADDITIONAL PRODUCT INFORMATION OR COPIES OF DRAWINGS AND TECHNICAL DOCUMENTS	PRODUCT INFORMATION CENTER 1-800-522-6752	VOLTAGE RATING: NOT APPLICABLE	MATERIAL SEE TABLE	CHK 20JUL94 AJ KAUFMAN	
FOR APPLICATION TOOLING INFORMATION	TOOLING ASSISTANCE CENTER 1-800-722-1111	WIRE CROSS SECTIONAL AREA RANGE: 10.5-16.8mm² [20,800-33,100] CIR MILS SOLID OR STRANDED	FINISH SEE TABLE	APPD 20JUL94 RE ROSER	SIZE C 00779
FOR ORDER ENTRY	1-800-526-5142	THIS DRAWING IS A CONTROLLED DOCUMENT FOR AMP INCORPORATED. IT IS SUBJECT TO CHANGE AND THE CONTROLLING ENGINEERING ORGANIZATION SHOULD BE CONTACTED FOR THE LATEST REVISION.		APPD 20JUL94 JL MECKLEY	DRAWING NO C=184079
				PRODUCT SPEC -	SCALE 4:1
				APPLICATION SPEC -	SHEET 1 OF 1
				WEIGHT -	