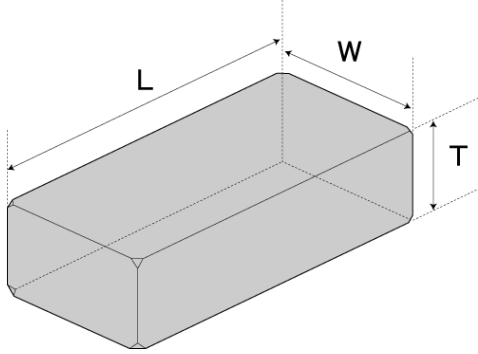


Multilayer Ceramic Devices (Diplexers)

FI 212P085909



■ Features

- Item Summary
Diplexer, W-CDMA / CDMA / GSM / LTE / ISM900 / GPS, 1mm, 0805
- Lifecycle Stage
Mass Production
- Standard packaging quantity (minimum)
Taping Embossed 3000

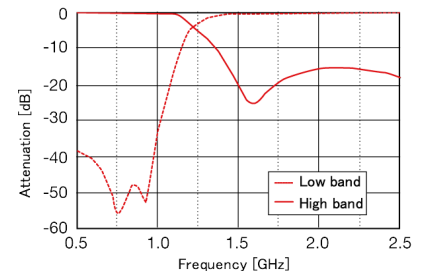
■ Products characteristics table

Temperature Range	-30 to +85°C
Impedance 1	50Ω
Passband Frequency 1	698-960MHzHz
Insertion Loss 1	0.70dBmax (25°C) 0.75dBmax (-30 to +85°C)
Attenuation 1	20dBmin (1570 to 1580MHz) -
V.S.W.R. 1	1.6max
Passband Frequency 2	1570-1610MHzHz
Insertion Loss 2	0.70dBmax (25°C) 0.80dBmax (-30 to +85°C)
Attenuation 2	42dBmin (824 to 894MHz)
V.S.W.R. 2	1.6max
RoHS Compliance	Yes
Halogen Free	Yes
Soldering Method	Reflow

■ External Dimensions

L	2mm +0.15:-0.15
W	1.25mm +0.15:-0.15
T	1mm max

■ Typical Characteristics Fig.



The data is reference only. Electrical characteristics vary depending on environment or measurement condition. TAIYO YUDEN reserves the right to make change to the Date at any time without notice. Before making final selection, please check product specification.