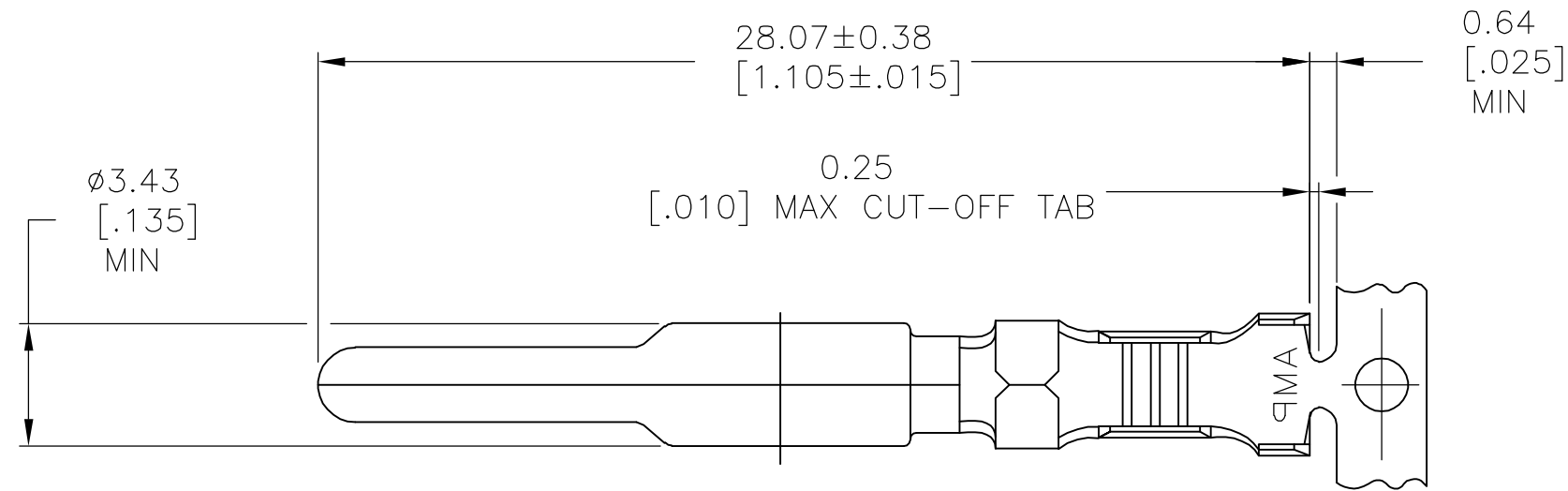


THIS DRAWING IS UNPUBLISHED. RELEASED FOR PUBLICATION  
 © COPYRIGHT BY TYCO ELECTRONICS CORPORATION. ALL RIGHTS RESERVED.

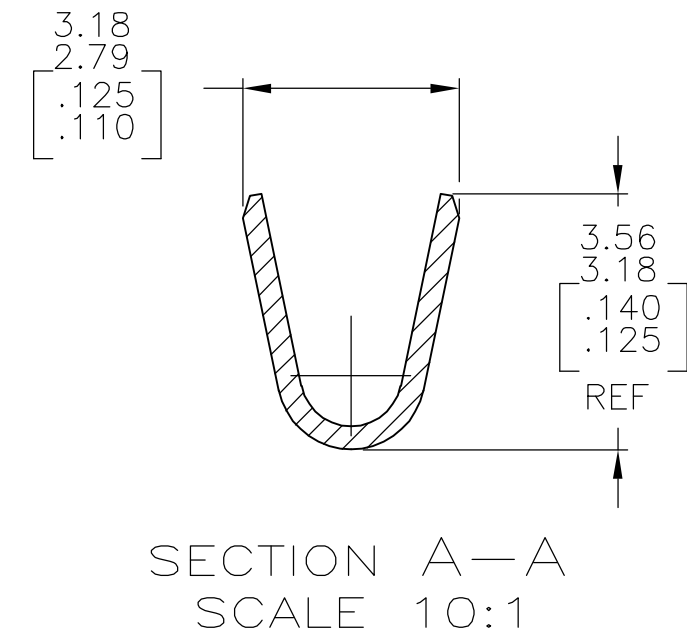
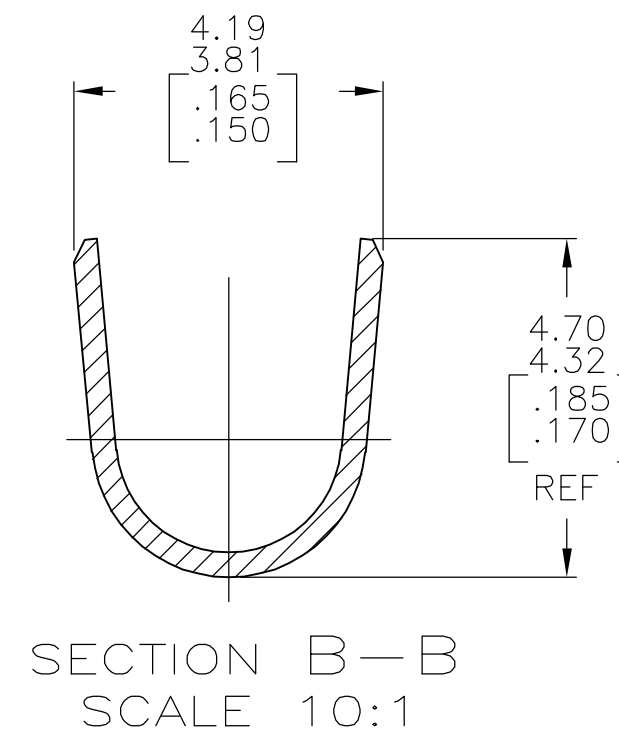
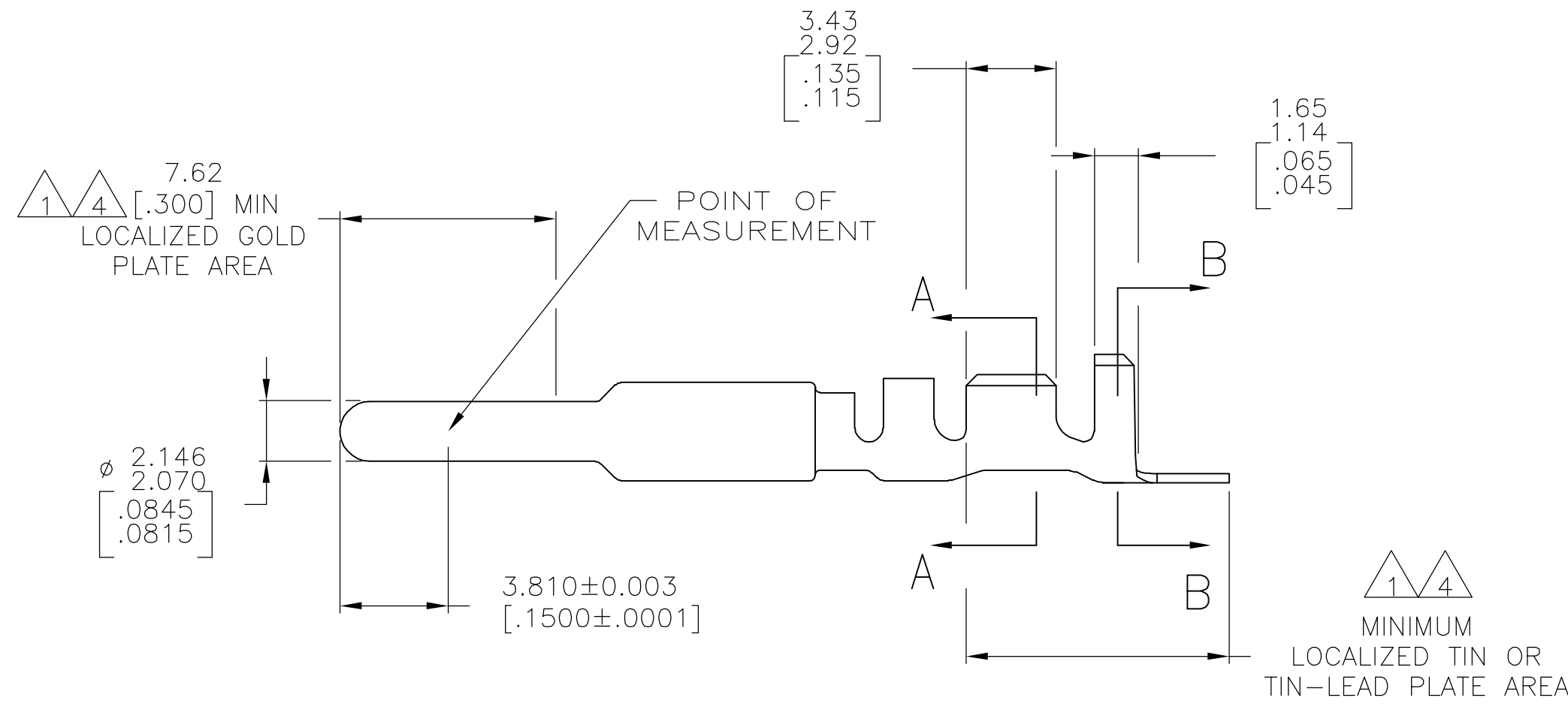
LOC	DIST	REVISIONS			
P	LTR	DESCRIPTION	DATE	DWN	APVD
CM	00	K	EC 0G3B 0215 05	22SEP05	BSV RCJ



1. 0.00076[.000030] MIN GOLD AT POINT OF MEASUREMENT IN THE LOCALIZED GOLD PLATE AREA, 0.00127[.000050] MIN TIN-LEAD IN THE TIN-LEAD PLATE AREA, 0.00127[.000050] MIN NICKEL UNDERPLATE ON ENTIRE CONTACT.

2. WIRE RANGE: 0.5-2mm<sup>2</sup> [20-14] AWG.  
 INSULATION RANGE: 1.52-3.30[.060-.130] DIA.  
 3. DIMENSIONS IN BRACKETS ARE IN INCHES.

4. 0.00076[.000030] MIN GOLD AT POINT OF MEASUREMENT IN THE LOCALIZED GOLD PLATE AREA, 0.00127[.000050] MIN MATTE TIN IN MATTE TIN PLATE AREA, 0.00127[.000050] MIN NICKEL UNDERPLATE ON ENTIRE CONTACT.



FINISH	MATERIAL	PART NUMBER
GOLD 4	0.30[.012] BRASS	1-770193-0
GOLD 1	0.30[.012] BRASS	770193-2
PRE-TIN	0.30[.012] BRASS	770193-1

THIS DRAWING IS A CONTROLLED DOCUMENT.		DWN S. CARPENTER 11AUG03	Tyco Electronics Corporation Harrisburg, PA 17105-3608																			
DIMENSIONS: mm [INCHES]		CHK C. JONES 11AUG03																				
TOLERANCES UNLESS OTHERWISE SPECIFIED:		APVD C. JONES 11AUG03	NAME PIN, GROUNDING, UNIVERSAL MATE-N-LOK(TM) II																			
<table border="1"> <tr><td>0 PLC</td><td>±</td><td>-</td></tr> <tr><td>1 PLC</td><td>±</td><td>-</td></tr> <tr><td>2 PLC</td><td>±</td><td>-</td></tr> <tr><td>3 PLC</td><td>±</td><td>-</td></tr> <tr><td>4 PLC</td><td>±</td><td>-</td></tr> <tr><td>ANGLES</td><td>±</td><td>-</td></tr> </table>		0 PLC	±	-	1 PLC	±	-	2 PLC	±	-	3 PLC	±	-	4 PLC	±	-	ANGLES	±	-	PRODUCT SPEC -	SIZE A2	CAGE CODE 00779
0 PLC	±	-																				
1 PLC	±	-																				
2 PLC	±	-																				
3 PLC	±	-																				
4 PLC	±	-																				
ANGLES	±	-																				
MATERIAL SEE TABLE		FINISH SEE TABLE	DRAWING NO C=770193	RESTRICTED TO -																		
		WEIGHT -	SCALE 5:1	SHEET 1 of 1																		
		CUSTOMER DRAWING	REV K																			

