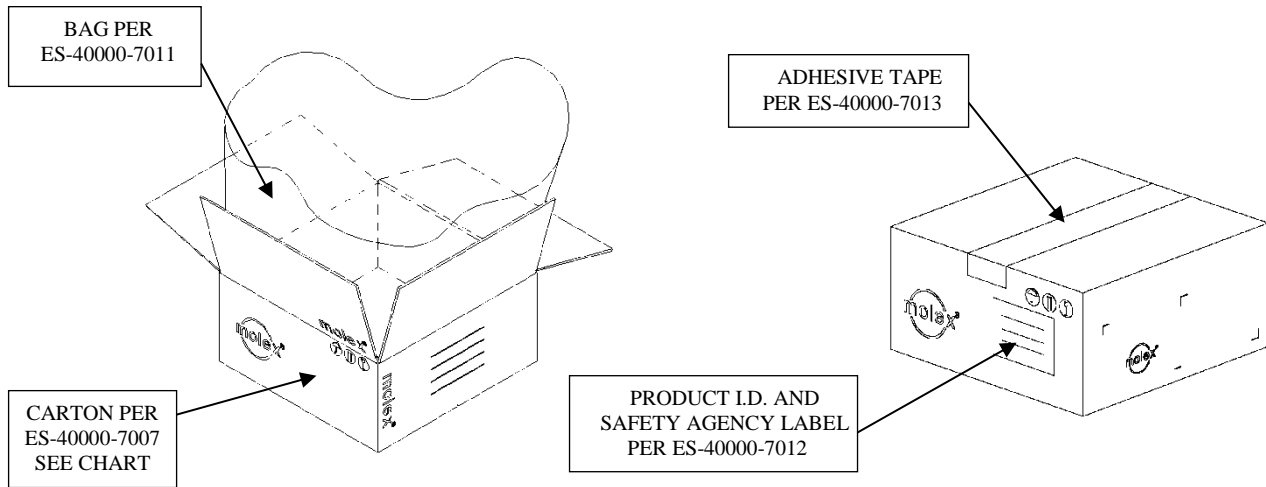




PACKAGING SPECIFICATION



- 1) PARTS ARE TO BE BULK PACKED IN BAGS IN QUANTITIES SHOWN IN CHART. BAG PART NUMBER AND SIZE ARE LISTED FOR REFERENCE ONLY. BAGS ARE TO BE CLOSED.
- 2) PLACE BAGS IN CARTON AS INDICATED.
- 3) SHEETS 1 AND 2 ARE FOR PANEL MOUNT. SEE SHEETS 3 AND 4 FOR FREE HANGING.

CKT SIZE	MATERIAL NO.	LINER BAG PART NO. OR EQUIVALENT (SEE NOTE 1)	CARTON PART NO. OR EQUIVALENT	PARTS PER BAG/CARTON (SPQ)
2	43020-0200	31300-6440	30907-3001	4000
	43020-0208			
	43020-0210			
4	43020-0400	31300-6440	30907-3001	2500
	43020-0408			
	43020-0410			
6	43020-0600	31300-6440	30907-3001	2500
	43020-0608			
	43020-0610			
8	43020-0800	31300-6440	30907-3001	1500
	43020-0808			
	43020-0810			
10	43020-1000	31300-8790	96707-0015	3000
	43020-1008			
	43020-1010			
12	43020-1200	31300-8790	96707-0015	3000
	43020-1208			
	43020-1210			

REVISION: B2	ECR/ECN INFORMATION: EC No: UCP2016-4090 DATE: 2016/05/20	TITLE: BULK PACKAGING SPECIFICATION MICROFIT 43020 SERIES	SHEET No. 1 of 4
DOCUMENT NUMBER: PK-43020-001	CREATED / REVISED BY: MCOLE	CHECKED BY: SSOUSEK	APPROVED BY: BPISZCZOR



PACKAGING SPECIFICATION

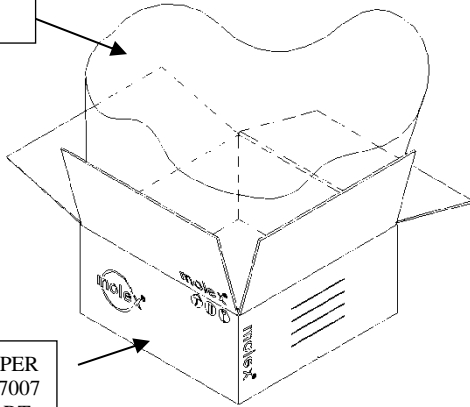
CKT SIZE	MATERIAL NO.	LINER BAG PART NO. OR EQUIVALENT (SEE NOTE 1)	CARTON PART NO. OR EQUIVALENT	PARTS PER BAG/CARTON (SPQ)
14	43020-1400	31300-6440	30907-3001	1000
	43020-1410			
16	43020-1600	31300-6440	30907-3001	800
	43020-1610			
18	43020-1800	31300-6440	30907-3001	600
	43020-1810			
20	43020-2000	31300-6440	30907-3001	600
	43020-2010			
22	43020-2200	31300-6440	30907-3001	500
	43020-2210			
24	43020-2400	31300-6440	30907-3001	500
	43020-2410			

REVISION: B2	ECR/ECN INFORMATION: EC No: UCP2016-4090 DATE: 2016/05/20	TITLE: BULK PACKAGING SPECIFICATION MICROFIT 43020 SERIES	SHEET No. 2 of 4
DOCUMENT NUMBER: PK-43020-001	CREATED / REVISED BY: MCOLE	CHECKED BY: SSOUSEK	APPROVED BY: BPISZCZOR



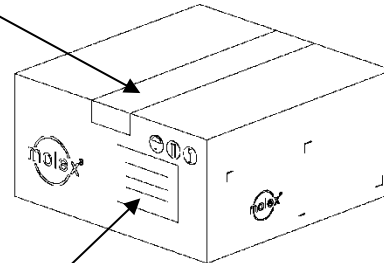
PACKAGING SPECIFICATION

BAG PER
ES-40000-7011



CARTON PER
ES-40000-7007
SEE CHART

ADHESIVE TAPE PER
ES-40000-7013



PRODUCT I.D. AND SAFETY
AGENCY LABEL PER
ES-40000-7012

1.) SHEETS 3 AND 4 ARE FOR FREE HANGING. SEE SHEET 1 AND 2 FOR PANEL MOUNT.

CKT SIZE	MATERIAL NO.	LINER BAG PART NO. OR EQUIVALENT (SEE NOTE 1)	CARTON PART NO. OR EQUIVALENT	PARTS PER BAG/CARTON (SPQ)
2	43020-0201	31300-6440	30907-3001	5000
	43020-0209			
	43020-0211			
4	43020-0401	31300-6440	30907-3001	2500
	43020-0409			
	43020-0411			
6	43020-0601	31300-8790	96707-0015	4500
	43020-0609			
	43020-0611			
8	43020-0801	31300-8790	96707-0015	4000
	43020-0809			
	43020-0811			
10	43020-1001	31300-8790	96707-0015	4000
	43020-1009			
	43020-1011			
12	43020-1201	31300-8790	96707-0015	3000
	43020-1209			
	43020-1211			

REVISION: B2	ECR/ECN INFORMATION: EC No: UCP2016-4090 DATE: 2016/05/20	TITLE: BULK PACKAGING SPECIFICATION MICROFIT 43020 SERIES	SHEET No. 3 of 4
DOCUMENT NUMBER: PK-43020-001	CREATED / REVISED BY: MCOLE	CHECKED BY: SSOUSEK	APPROVED BY: BPISZCZOR



PACKAGING SPECIFICATION

CKT SIZE	MATERIAL NO.	LINER BAG PART NO. OR EQUIVALENT (SEE NOTE 1)	CARTON PART NO. OR EQUIVALENT	PARTS PER BAG/CARTON (SPQ)
14	43020-1401	31300-6440	30907-3001	1000
	43020-1411			
16	43020-1601	31300-6440	30907-3001	1000
	43020-1611			
18	43020-1801	31300-6440	30907-3001	1000
	43020-1811			
20	43020-2001	31300-6440	30907-3001	500
	43020-2011			
22	43020-2201	31300-6440	30907-3001	500
	43020-2211			
24	43020-2401	31300-6440	30907-3001	500
	43020-2411			

REVISION: B2	ECR/ECN INFORMATION: EC No: UCP2016-4090 DATE: 2016/05/20	TITLE: BULK PACKAGING SPECIFICATION MICROFIT 43020 SERIES	SHEET No. 4 of 4
DOCUMENT NUMBER: PK-43020-001	CREATED / REVISED BY: MCOLE	CHECKED BY: SSOUSEK	APPROVED BY: BPISZCZOR