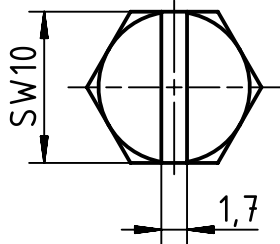
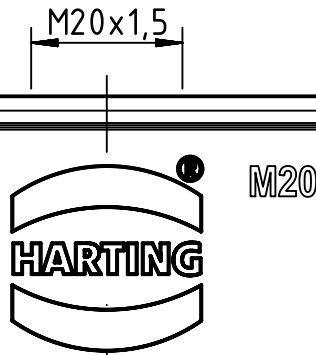


X (2:1)



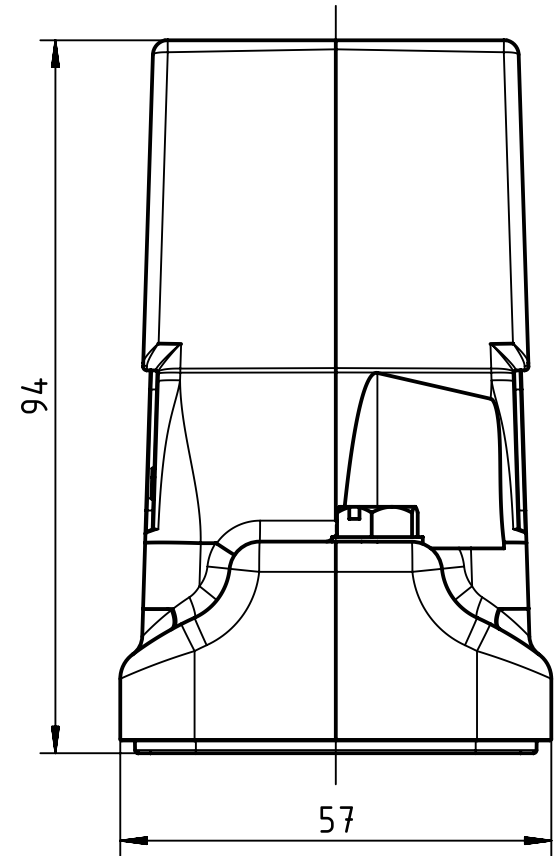
Seal

19396160445  
XXXXXXXXXX

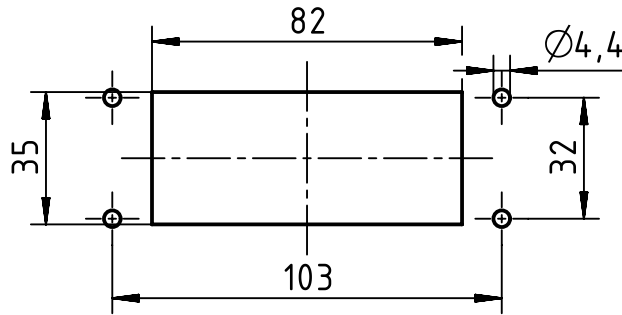


Han

127



Panel cut out (1:2)



	All Dimensions in mm Original Size DIN A4		Scale 1:1		Free size tol.		Ref.	
	All rights reserved		Created by LONGL		Inspected by WENE		Standardisation SCHMIDTM	
Department EL PD - CN		Date 2017-03-20		State Final Release		Doc-Key / ECM-Nr. 100632927/UGD/002/C 500000116961		
HARTING (Zhuhai) Manufacturing Co., Ltd. 519085 Zhuhai, China		Title Han 16HP Direct/B-HTE-M20		Type TB		Number 19 39 616 0445		Rev. C
								Page 1/1