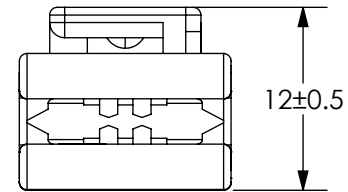
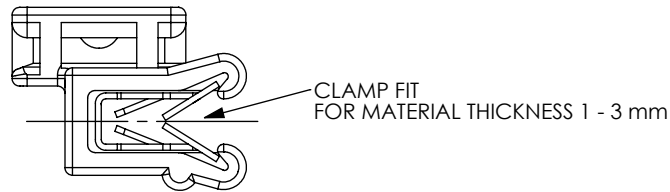
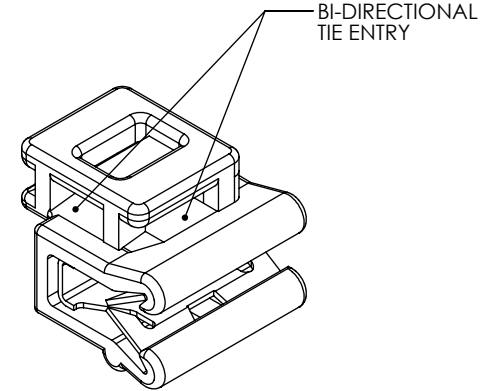
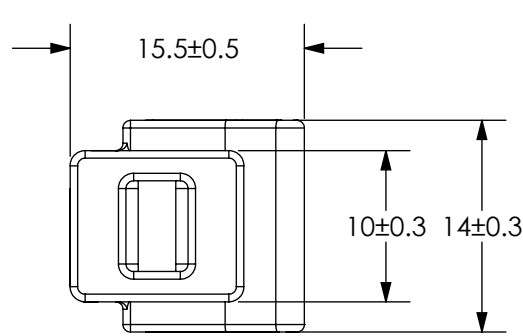


Revision level		Revision Record	Changed	Date	Approved	Date
Part	Drawing					
-	01	See ECN 011029	AAC	05/19/2008	KAC	05/19/2008



PA66HIRHS

Material

Dimension tolerances unless otherwise specified

- .xxxx = ±.013
- .xxx = ±.13
- .xx = ±.3
- .x = NOTED
- ∠ = ±0.5°

Dimension Units millimeters

PERFORMANCE SPECIFICATION

SW 2007



Drawn	AAC	05/19/2008
Approved	KAC	05/19/2008

Scale 2:1
Title

Computer File Number
XCL-HMAN109CST_01

ALL PROPRIETARY RIGHTS IN THE SUBJECT MATTER SHOWN ON THIS DRAWING ARE EXCLUSIVE PROPERTY OF HELLERMANNNTYTON

HellermannTyton®
Cable Management Products

7930 N. Faulkner Rd.
Milwaukee, WI 53224
Ph: (414) 355-1130
Fx: (414) 362-8342

**EC5
EDGE CLIP**

Drawing-No

XCL-HMAN109CST

Format
AH

Sheet 1 of 1