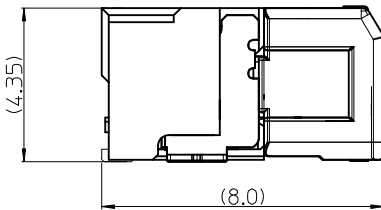
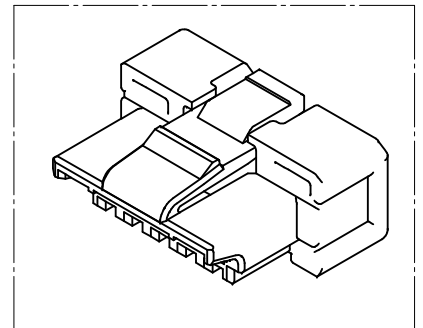
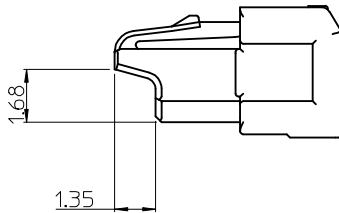


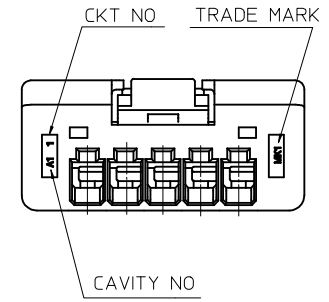
TERMINAL ASSEMBLY DRAWING
[REFERENCE]



MATED WITH HEADER ASSEMBLY
[REFERENCE]



- NOTES.
- MATED WITH : 104091-0520
 - MATERIAL : LCP, VECTRA E471i
GLASS FILLED, UL94V-0
HALOGEN FREE, NATURAL COLOR
 - APPLICABLE TERMINAL : 104521-6001
 - PRODUCT SPECIFICATION : PS-104091-001



ORDER NO 104092-0500

RELEASED EC NO: KOR2012-0022 DRWN: JHPARK01 2011/09/22 CHKD: APPR: YUNSIKKIM 2011/09/30	DESCRIPTION REV A	QUALITY SYMBOLS ▽=0 ◻=0	GENERAL TOLERANCES (UNLESS SPECIFIED)		DIMENSION STYLE MM ONLY		SCALE 6:1	DESIGN UNITS METRIC	THIRD ANGLE PROJECTION		
			mm INCH	DRAWN BY JHPARK01	DATE 2011/09/22	TITLE 1.25 W-T-B CONN. PLUG HOUSING-5P					
		4 PLACES ± --- ± --- 3 PLACES ± --- ± --- 2 PLACES ± 0.15 ± --- 1 PLACE ± 0.2 ± ---	DRAWN BY SHCHU	DATE 2011/09/22	MOLEX INCORPORATED						
		ANGULAR ± 1 °	APPROVED BY YUNSIKKIM	DATE 2011/09/30							MATERIAL NO. 1040920500
DRAFT WHERE APPLICABLE MUST REMAIN WITHIN DIMENSIONS			SIZE A3	THIS DRAWING CONTAINS INFORMATION THAT IS PROPRIETARY TO MOLEX INCORPORATED AND SHOULD NOT BE USED WITHOUT WRITTEN PERMISSION							