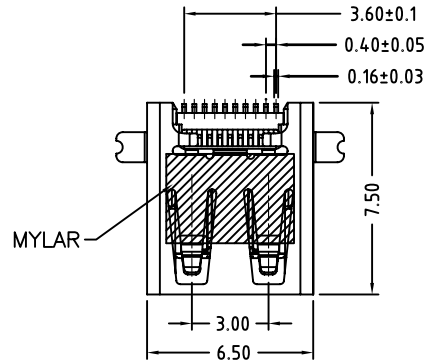


PART NUMBER

10118241-001RLF

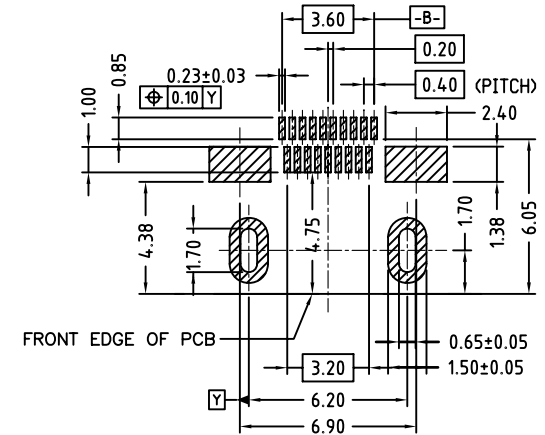
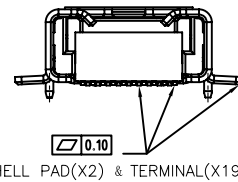
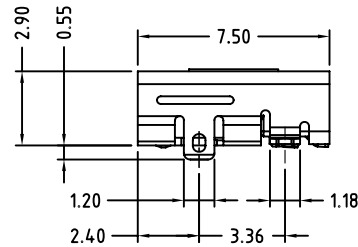
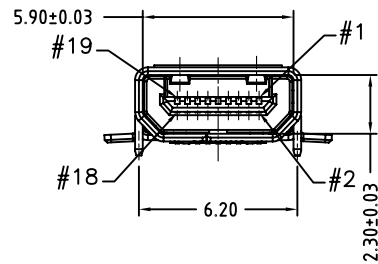


PART NO. DESCRIPTION:

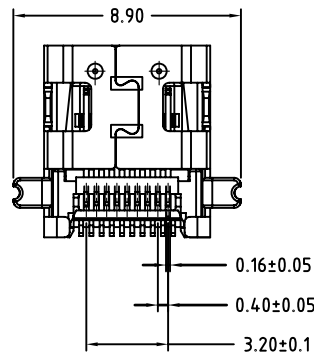
- 10118241-00XXLF
 - RoHS COMPATIBLE
 - PACKING TYPE R:TAPE & REEL
 - CONTACT AREA PLATING 1:Au 15u"

NOTES:

1. MATERIAL:
HOUSING: LCP+30%GF ,UL94 V-0,BLACK
TERMINAL: COPPER ALLOY.
SHELL: STAINLESS STEEL
2. FINISH:
CONTACT AREA: GOLD PLATED
CONTACT SOLDER AREA: GOLD FLASH PLATED
SHELL: TIN PLATED
UNDER NICKEL PLATED OVER ALL.
3. PRODUCT SPECIFICATION: GS-12-0983.
4. PACKAGING SPECIFICATION: GS-14-2164.
5. THE PRODUCT MEETS EUROPEAN UNION DIRECTIVES AND OTHER COUNTRY REGULATIONS AS DESCRIBED IN GS-22-008.
6. THE CONNECTOR CAN WITHSTAND EXPOSURE TO 260 DEGREE C PEAK TEMPERATURE FOR 10 SECONDS IN IR REFLOW OVEN.



RECOMMENDED PCB LAYOUT (.XX±0.05)
CONNECTOR SIDE (TOP VIEW)



mat'l. code		surface ASME Y14.5		tolerance ASME Y14.5		projection		product family HDMI	
ltr		ecn no		dr		date		tolerances unless otherwise specified	
A		LS		09/13/11		angles		title	
B		ELX-N-16493		Henry		06/24/14		HDMI TYPE D RECEPTACLE	
						linear		MM	
						X°±1°		scale	
						.X±0.25		FCI	
						.XX±0.20		dwg no	
						.XXX±0.10		sheet 1 of 1	
				dr		LEIF SHEN		09/13/11	
				enrg		LEIF SHEN		09/13/11	
				chr		GARY HSIEH		09/13/11	
				appd		GARY HSIEH		09/13/11	
sheet		revision		B				size	
index		sheet		1				10118241	
								A4	
								type	
								CUSTOMER Drawing	