

Electronic housing - ME MAX 6,2 SC 4-4 KMGY - 2713094

Please be informed that the data shown in this PDF Document is generated from our Online Catalog. Please find the complete data in the user's documentation. Our General Terms of Use for Downloads are valid (<http://download.phoenixcontact.com>)



Extra slim electronic housing, pitch 6.2 mm, 4 connection levels, 8-pos. with screw connection

Product Features

- ✓ Easy device testing thanks to integrated test openings
- ✓ Housing can be labeled using standard laser systems
- ✓ IP20 shock protection
- ✓ Same PCB geometry for spring-cage and screw versions
- ✓ Transparent front cover can be swiveled, reversed, and labeled



Key commercial data

Packing unit	1 1
GTIN	 4 017918 984793
Weight per Piece (excluding packing)	46.01 GRM
Custom tariff number	85369010
Country of origin	Germany

Technical data

General

Housing type	Complete housing
Housing material	PBT
Color	light gray

Dimensions

Length	93.1 mm
Constructional height	101.2 mm
Width	6.2 mm

Electronic housing - ME MAX 6,2 SC 4-4 KMGY - 2713094

Technical data

Dimensions

Pitch	6.2 mm
-------	--------

Technical data

Connection in acc. with standard	CUL
Nominal voltage U_N	300 V
Nominal current I_N	8 A
AWG/kcmil	30-12
Indicator1	CUL1
Inflammability class according to UL 94	V0
Number of positions	8

Connection data

Conductor cross section solid min.	0.2 mm ²
Conductor cross section solid max.	2.5 mm ²
Conductor cross section stranded min.	0.2 mm ²
Conductor cross section stranded max.	2.5 mm ²
Conductor cross section AWG/kcmil min.	26
Conductor cross section AWG/kcmil max	12
Stripping length	12 mm

Classifications

eCl@ss

eCl@ss 4.0	27180401
eCl@ss 4.1	27180401
eCl@ss 5.0	27180506
eCl@ss 5.1	27180506
eCl@ss 6.0	27180802
eCl@ss 7.0	27182702
eCl@ss 8.0	27182702

ETIM

ETIM 2.0	EC001031
ETIM 3.0	EC001031
ETIM 4.0	EC001031
ETIM 5.0	EC001031

UNSPSC

UNSPSC 6.01	31261501
-------------	----------

Electronic housing - ME MAX 6,2 SC 4-4 KMGY - 2713094

Classifications

UNSPSC

UNSPSC 7.0901	31261501
UNSPSC 11	31261501
UNSPSC 12.01	31261501
UNSPSC 13.2	31261501

Approvals

Approvals

Approvals

UL Recognized / cUL Recognized / cULus Recognized

Ex Approvals

Approvals submitted

Approval details

UL Recognized

cUL Recognized		
	B	D
mm ² /AWG/kcmil	30-12	30-12
Nominal current I _N	8 A	8 A
Nominal voltage U _N	300 V	300 V

cULus Recognized

Accessories

Accessories

Electronic housing - ME MAX 6,2 SC 4-4 KMGY - 2713094

Accessories

Screwdriver tools

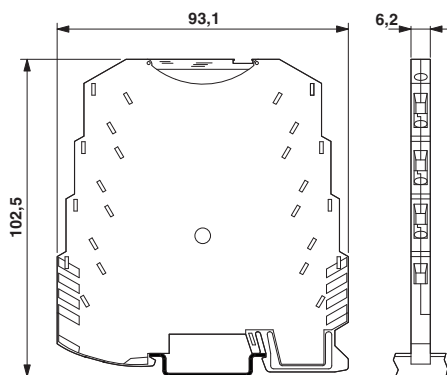
Screwdriver - SZF 1-0,6X3,5 - 1204517



Actuation tool, for ST terminal blocks, also suitable for use as a bladed screwdriver, size: 0.6 x 3.5 x 100 mm, 2-component grip, with non-slip grip

Drawings

Dimensioned drawing



Dimensioned drawing

