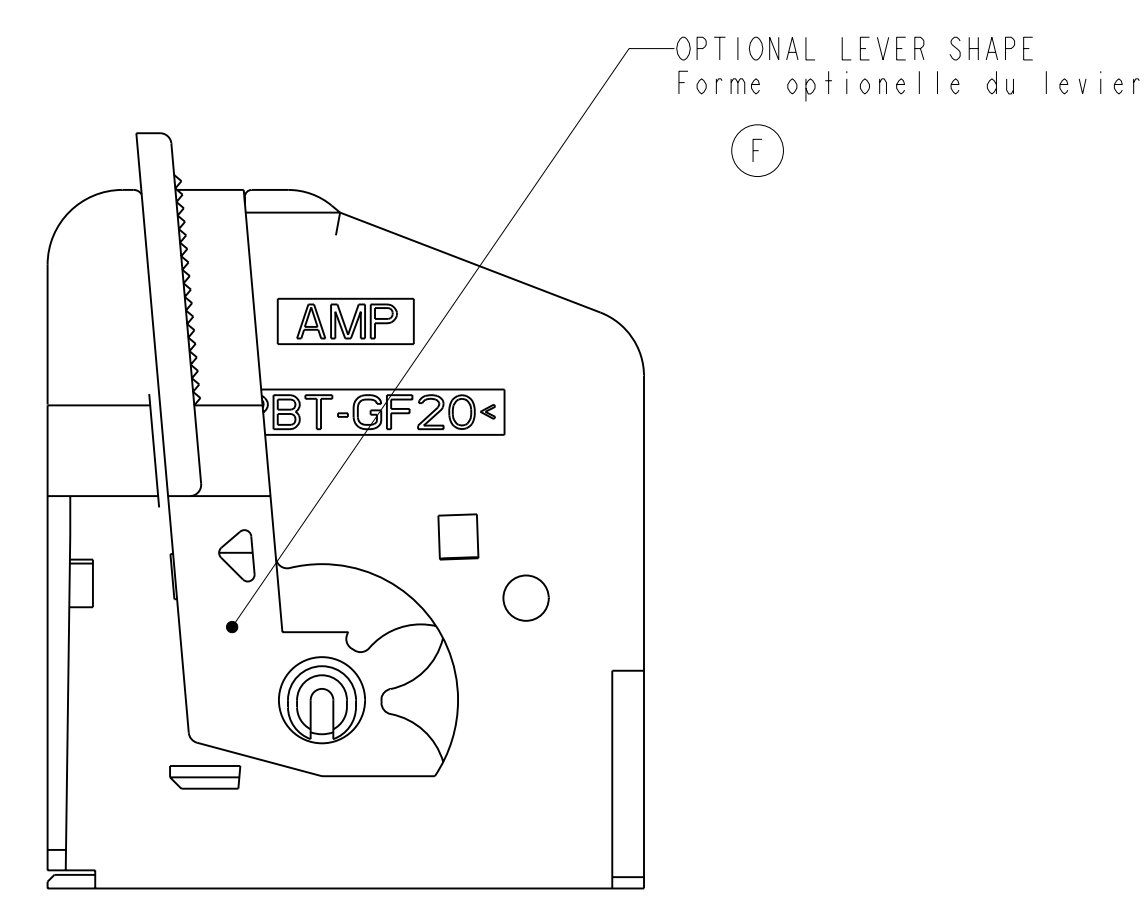
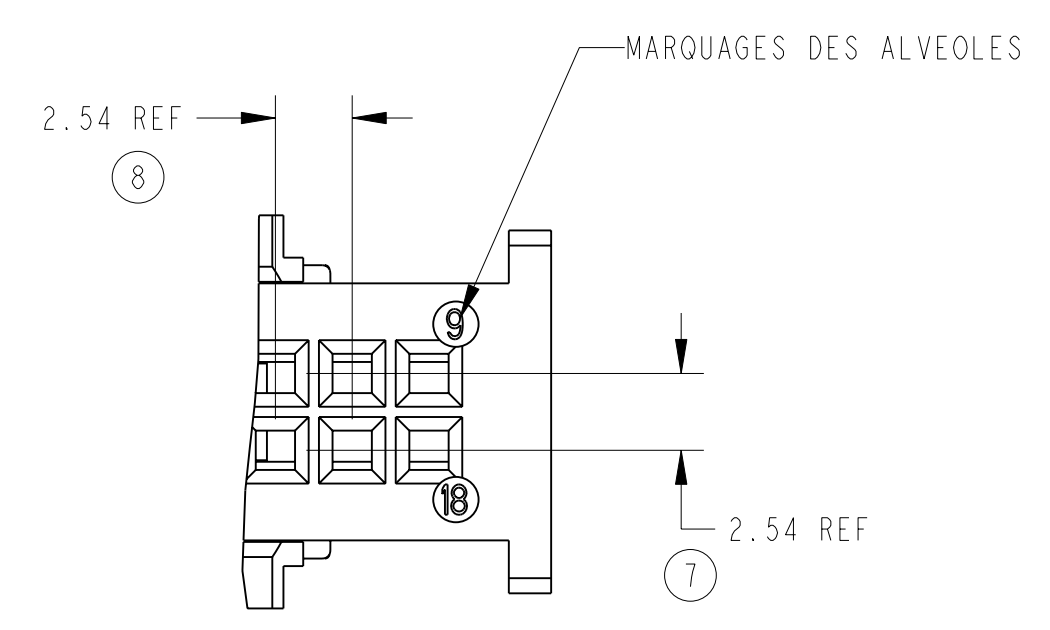
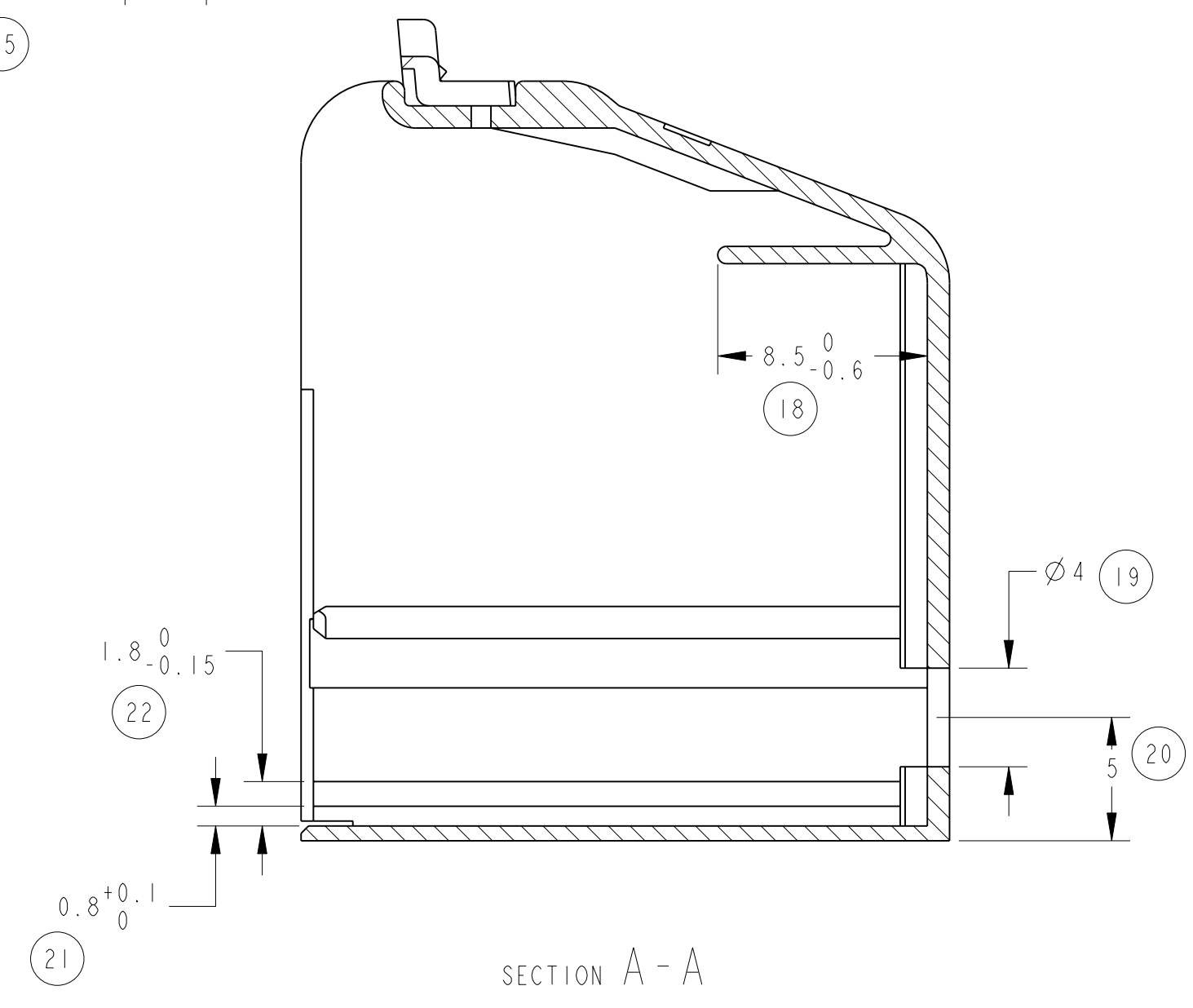
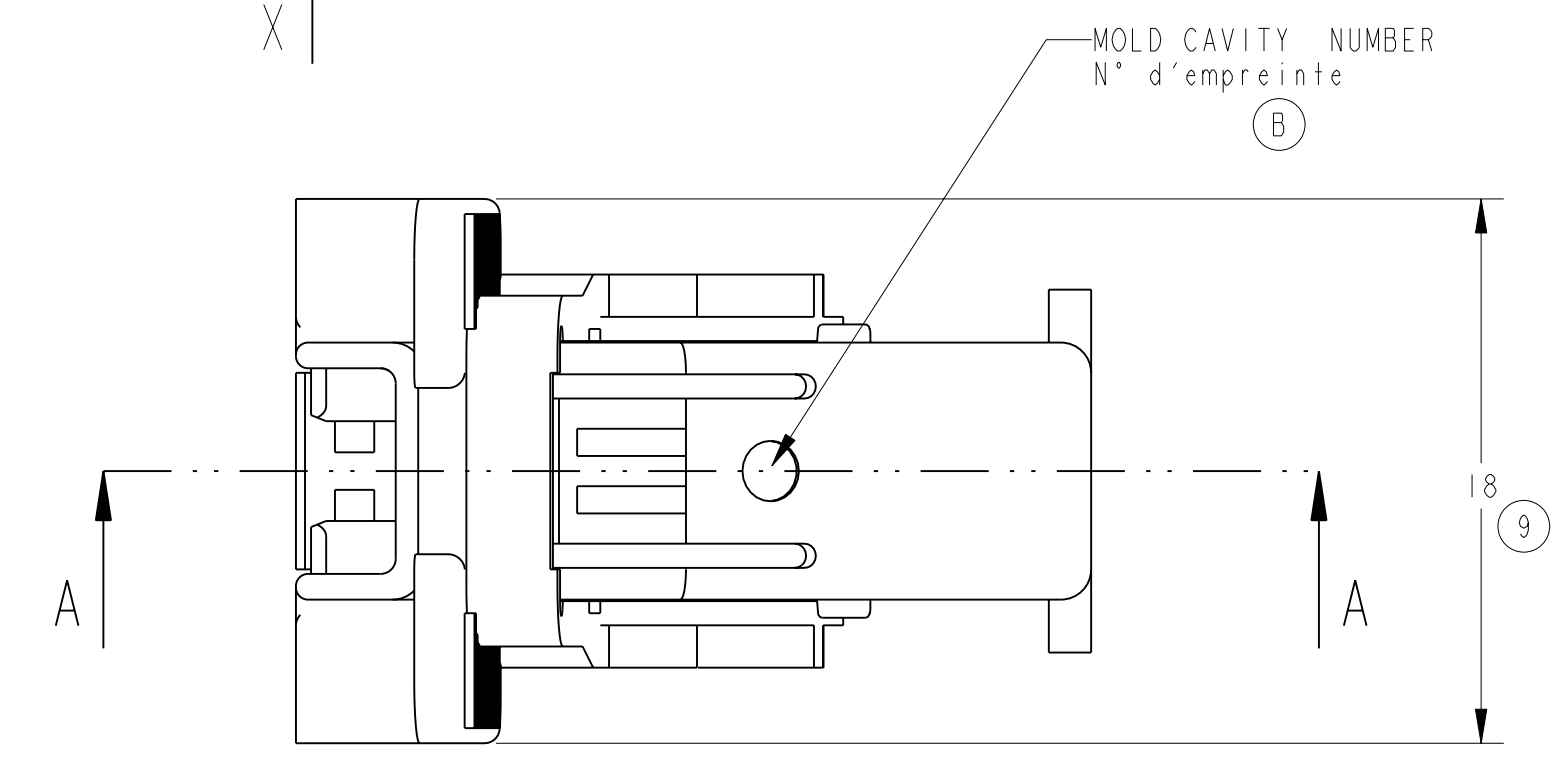
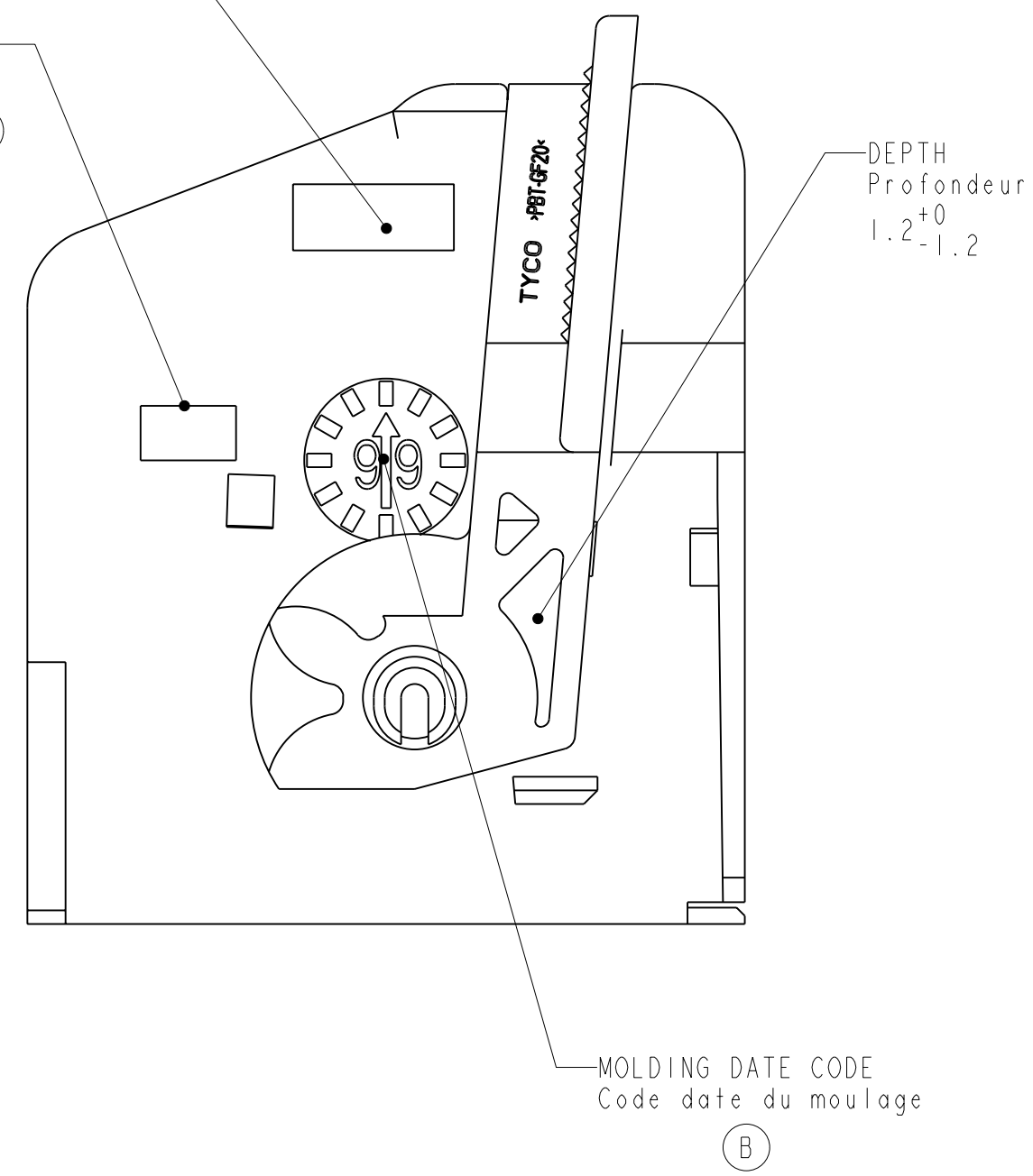
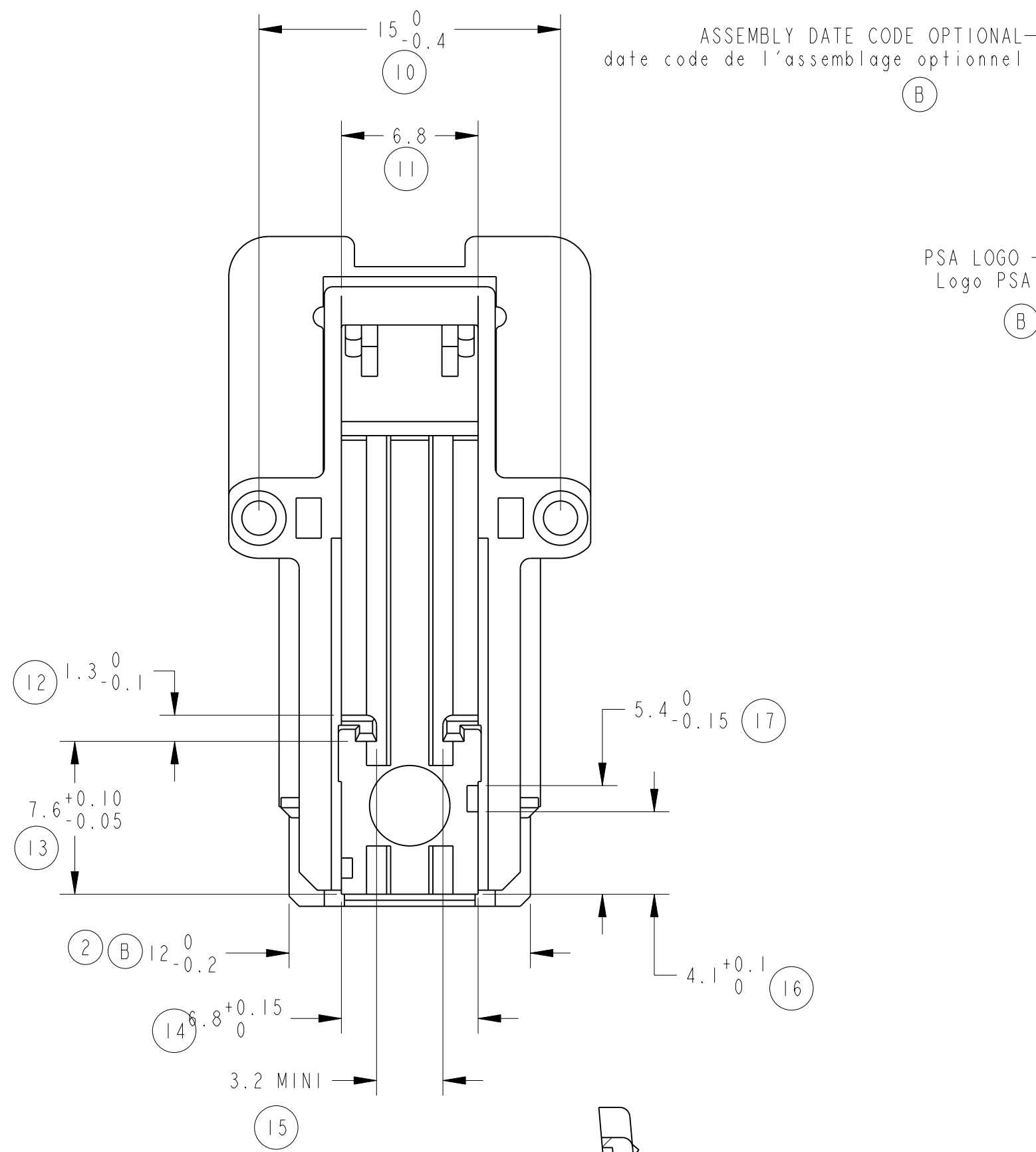
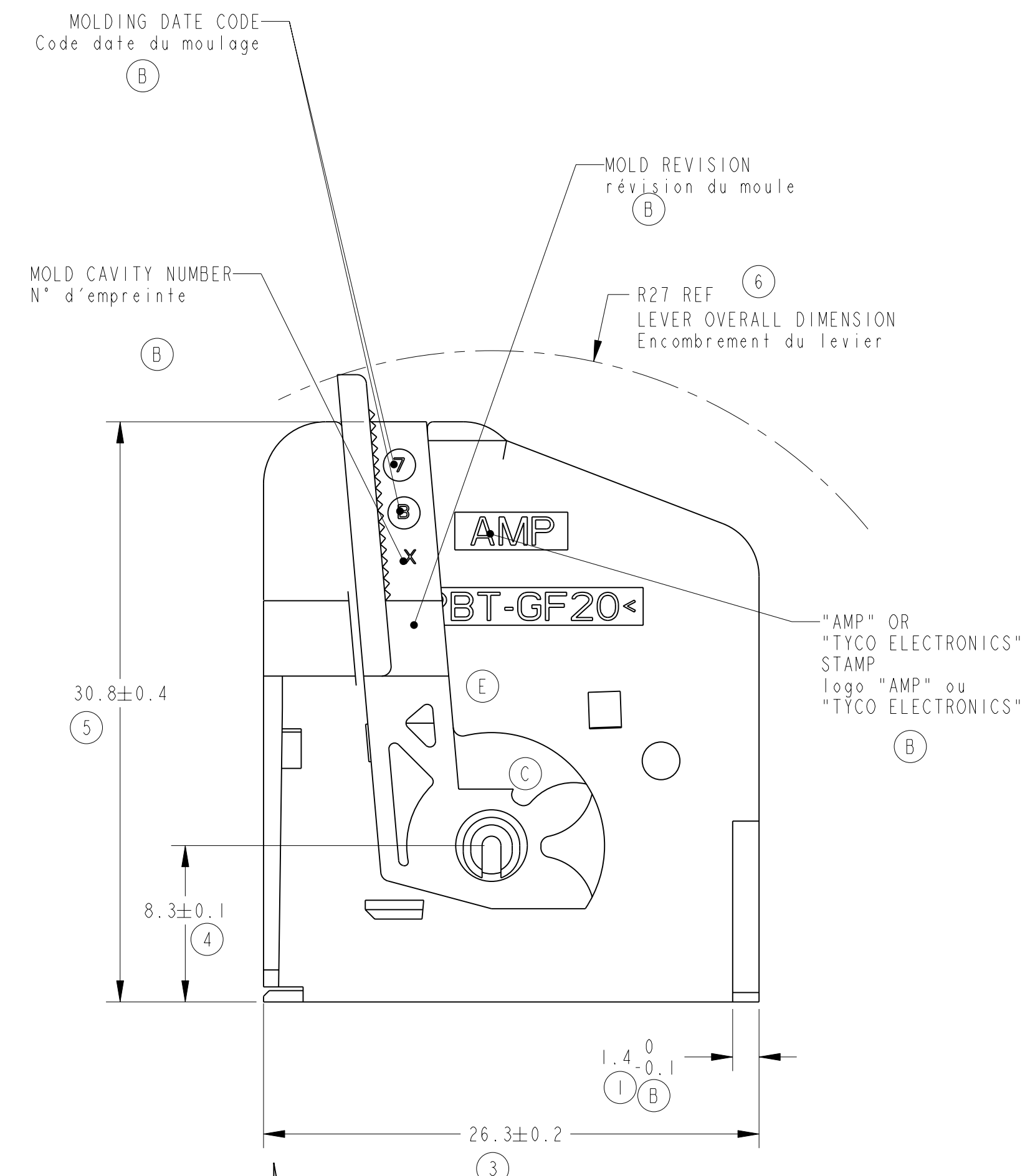


LOC	DIST	REVISIONS					
F	00	P	REV	DESCRIPTION MODIFICATIONS	DATE	DWN BESS	APVD APP
		B		ADDED ASSEMBLY DATE CODE	13JUL2007	MP	XR

VUE SUIVANT X



DESCRIPTION Designation	REP.	Q.	MATERIAL Matiere	TE PN Ref TE	COLOR Couleur	CODING Deffrimage
COVER Capot	1	1	PBT20%FV	185307-2	WHITE Blanc X665	
LEVER Levier	2	1	PBT20%FV		BLACK Noir X603	
COVER Capot	1	1	PBT20%FV	185307-1	BLACK Noir X603	
LEVER Levier	2	1	PBT20%FV		BLACK Noir X603	



THIS DRAWING IS UNPUBLISHED. RELEASED FOR PUBLICATION DIFFUSION RESTREINTE AMP LIBRE A LA DIFFUSION © COPYRIGHT 2007 BY TYCO ELECTRONICS CORPORATION. ALL RIGHTS RESERVED. TOUTS DROITS RESERVES.		DWN/DESSINE T. HUIJN CHECKED M. POLIFONTE APVD/APPROUVE X. ROUVILLARD PRODUCT SPEC 108-15134 APPLICATION SPEC 411-15554		3TAUG06 3TAUG06 3TAUG06 108-15134 411-15554		Tyco Electronics France SAS 95300 Pontoise, France	
DIMENSIONS: mm TOLERANCES UNLESS OTHERWISE SPECIFIED (SUIV NB DE DECIMALES): 0 PL/DEC: ± 1 PL/DEC: ±0.2 2 PL/DEC: ± 3 PL/DEC: ± 4 PL/DEC: ± ANGLES: ±5°		NAME COVER+LEVER FOR 18 WAYS MOS AT 0 DEG PORTÉ MODULE 18 VOIES MOS SORTIE 0 DEG		SIZE A1 CAGE CODE 00779 DRAWING NO 185307		RESTRICTED TO RESERVE A CUSTOMER DRAWING /PLAN CLIENT UNIFORMITÉ SCALE 3:1 SHEET FEUILLE 1 OF 1 REV B	