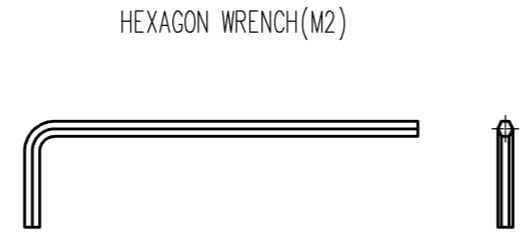
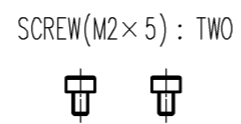
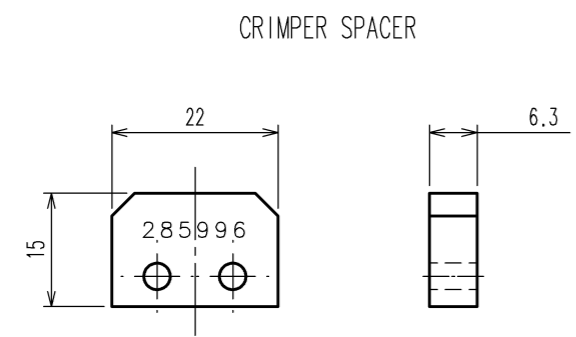
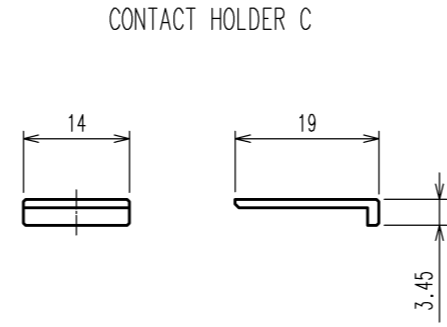
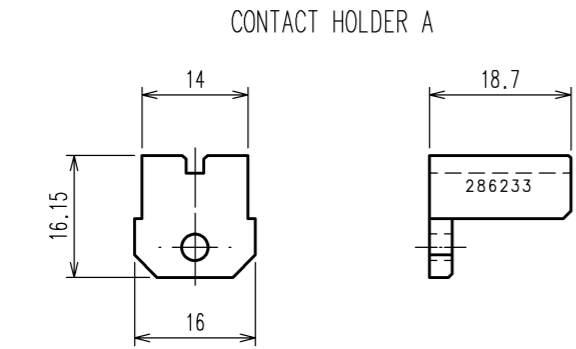
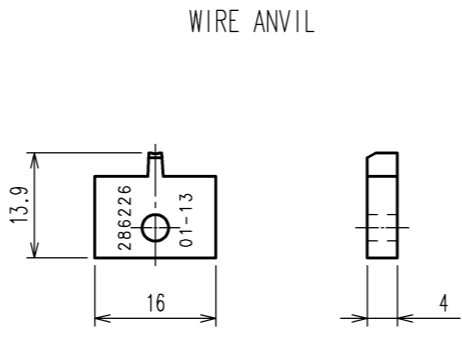
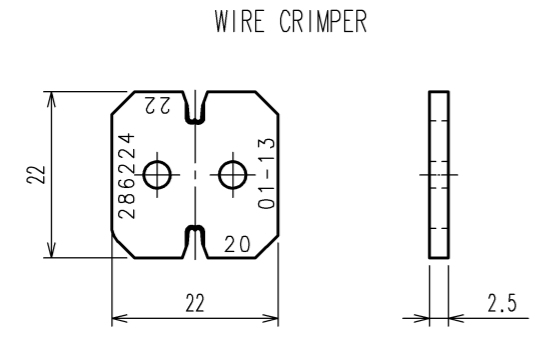
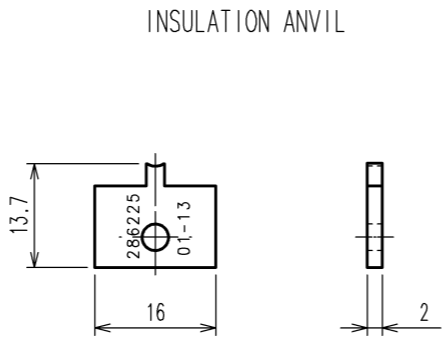
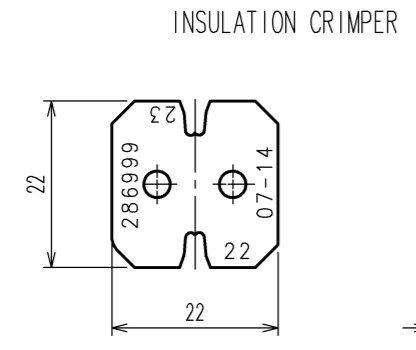


DRAWING FOR REFERENCE: This is subject to change without notice 2016/10/25 00:00:44 (JST) Racheille Sheffer

1 2 3 4 5 6 7 8

COUNT	DESCRIPTION OF REVISIONS	BY	CHKD	DATE	COUNT	DESCRIPTION OF REVISIONS	BY	CHKD	DATE
△				..	△				..
△				..	△				..
△				..	△				..



Notes 1.This drawing shows PQ50SA-2223(2586) (CL0250-1032-5).

2.The following table shows the specification of this unit.

INSULATION CRIMPER	ONE
WIRE CRIMPER	ONE
INSULATION ANVIL	ONE
WIRE ANVIL	ONE
CONTACT HOLDER A	ONE
CONTACT HOLDER C	ONE
CRIMPER SPACER	ONE
SCREW(M2×5)	TWO
HEXAGON WRENCH(M2)	ONE

TO
PE

2		4			
1		3			
NO.	MATERIAL	FINISH, REMARKS	NO.	MATERIAL	FINISH, REMARKS
CODE NO.(OLD) CL		DRAWN H.KUDO 14.8.27	DESIGNED M.TAKAHASHI 14.8.27	CHECKED S.OIZUMI 14.8.28	APPROVED T.IITO 14.8.29
DRAWING NO. EDC3-276470		PART NO. PQ50SA-2223(2586)			
SCALE 1 : 1		CODE NO. CL250-1032-5		1/1	
UNITS mm		HRS HIROSE ELECTRIC CO., LTD			

1 2 3 4 5 6 7 8