

Number of contacts

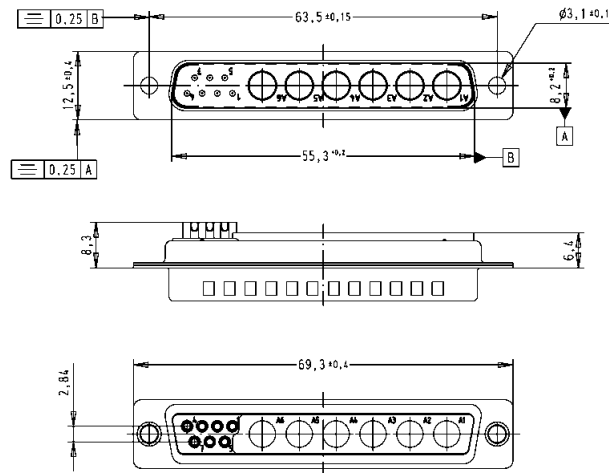
13



Mixed shells with pre-mounted signal solder cup contacts

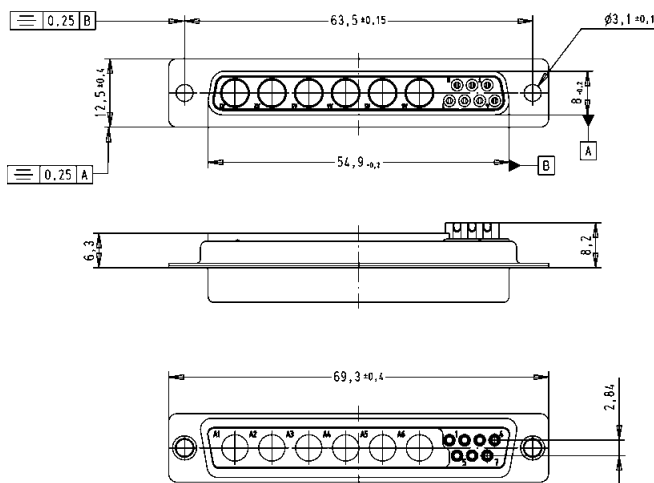
Identification	No. of contacts ¹⁾	Part number			
		male connectors		female connectors	
		Performance level 3	S4 ²⁾	Performance level 3	S4 ²⁾
	13W6	09 69 411 7136	09 69 411 5136	09 69 401 7136	09 69 401 5136

Male connectors



Solder cup termination for AWG 20 (0.5 mm²)

Female connectors



Solder cup termination for AWG 20 (0.5 mm²)

Dimensions in mm

¹⁾ Explanations see page 05.51

²⁾ S4 = 0.76 µm Au or PdNi equivalent
Board drillings see pages 05.78 ff

Order special contacts separately. See pages 05.69 ff

D-Sub