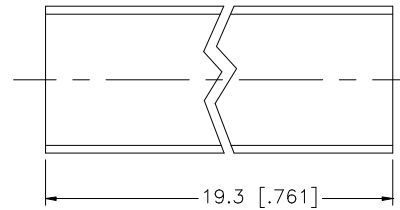
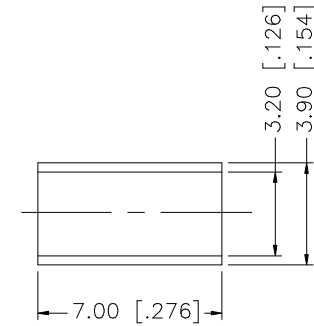
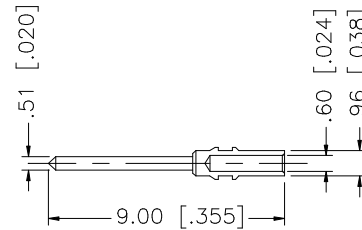
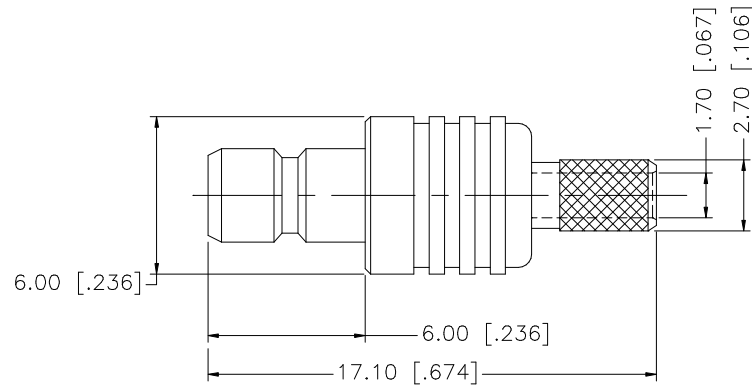
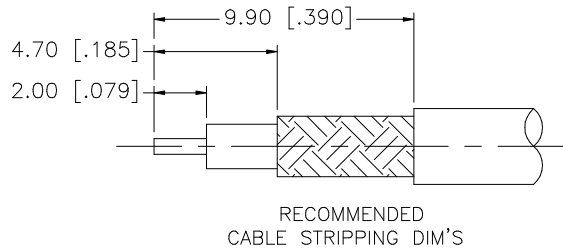


| REV. | DATE | DESCRIPTION |
|------|----------|--|
| A | 02/09/06 | UPDATE DRAWING FORMAT |
| B | 05/08/07 | REVISE BARREL, FERRULE DIMENSIONS, ADD CRIMP NOTES |



NOTE:

1. CRIMPED FERRULE HEX CRIMP SIZE .128"
2. CRIMPED CONTACT PIN SQ. CRIMP SIZE 0.7mm

| DESCRIPTION | MATERIAL | FINISH | QTY | UNLESS OTHERWISE SPECIFIED DIMENSIONS ARE IN MILLIMETERS. DIMENSIONS IN [] ARE IN INCHES AND FOR CUSTOMER REFERENCE ONLY. | APPROVALS | DATE | <h1 style="color: blue; margin: 0;">Amphenol Connex</h1> | | | | | | | |
|-------------|------------------|--------|---------|--|-----------|----------|--|---------------|---|---|------|---|-------|----|
| 8 | | | | UNLESS OTHERWISE SPECIFIED TOLERANCES FOR MILLIMETERS ARE: 0.5 - 8mm ± 0.20mm 8 - 30mm ± 0.40mm 30 - 120mm ± 0.50mm UNLESS OTHERWISE SPECIFIED TOLERANCES FOR INCHES ARE: .020 - .315 = ± 0.007" .315 - 1.180 = ± 0.015" 1.180 - 4.724 = ± 0.020" DO NOT SCALE DRAWING | DRAWN | G.R.S. | | 05/08/07 | PART DESCRIPTION SMB MINI CRIMP JACK - 75ohm (FOR 179/U CABLE) | | | | | |
| 7 | | | CHECKED | | | | PART NO. 142181-75 | | | | | | | |
| 6 | | | ISSUED | | | | | | | | | | | |
| 5 | HEAT SHRINK TUBE | | 1 | | SHEET | 1 OF 1 | DWG. NO. | 142181-75.DWG | REV. | B | SIZE | A | SCALE | NA |
| 4 | FERRULE | COPPER | NICKEL | | 1 | CAD FILE | C:/142/142181-75.DWG | | | | | | | |
| 3 | CONTACT PIN | BRASS | GOLD | 1 | | | | | | | | | | |
| 2 | INSULATOR | TEFLON | NATURAL | 1 | | | | | | | | | | |
| 1 | BODY | BRASS | NICKEL | 1 | | | | | | | | | | |