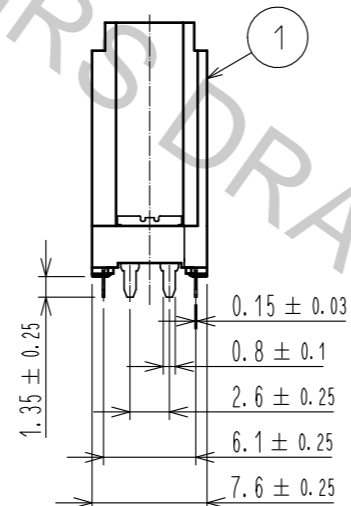
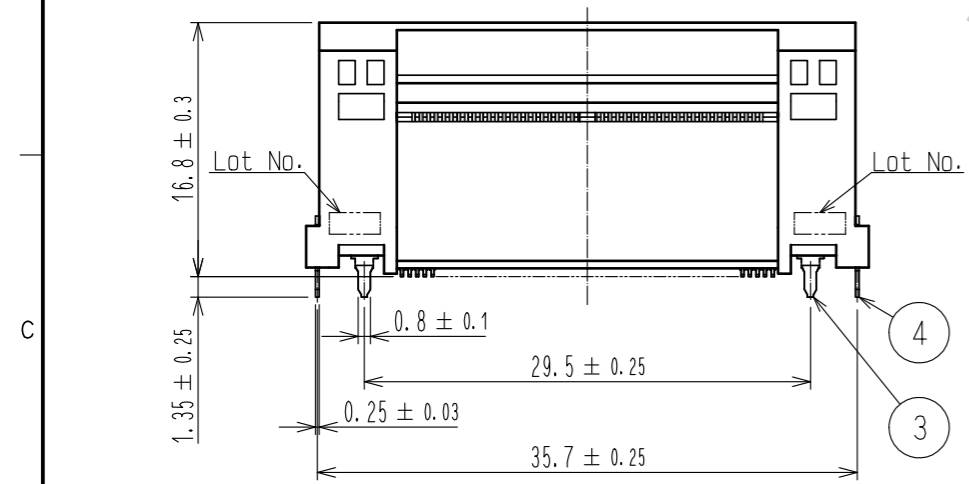
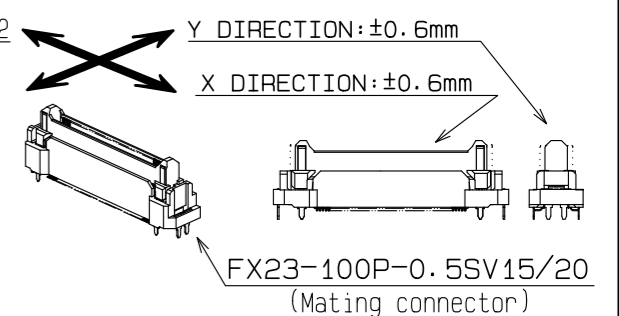
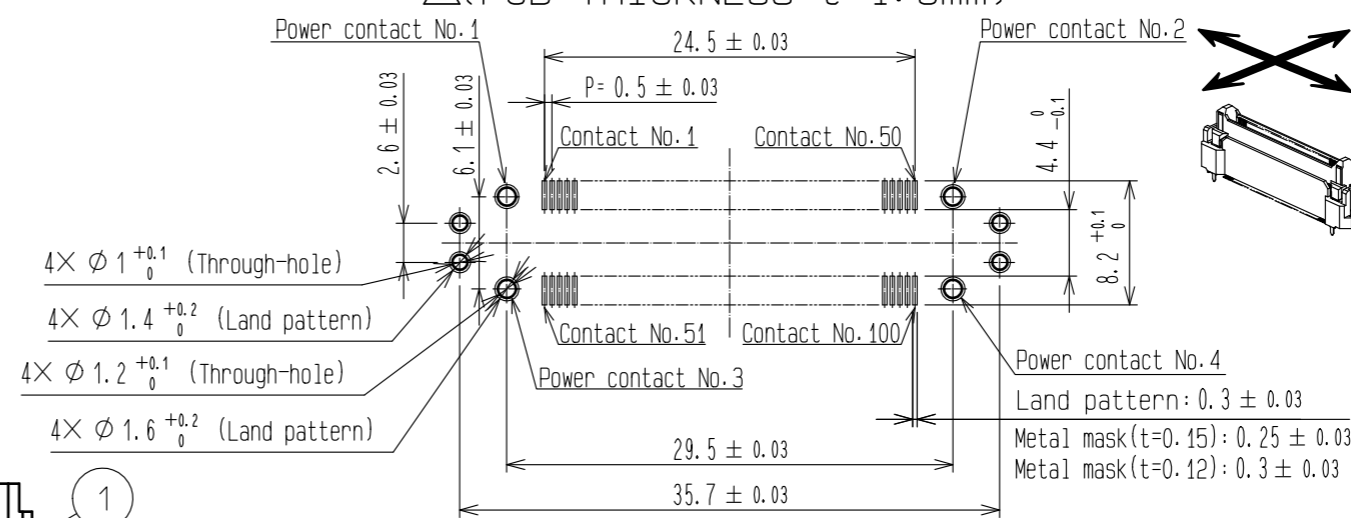
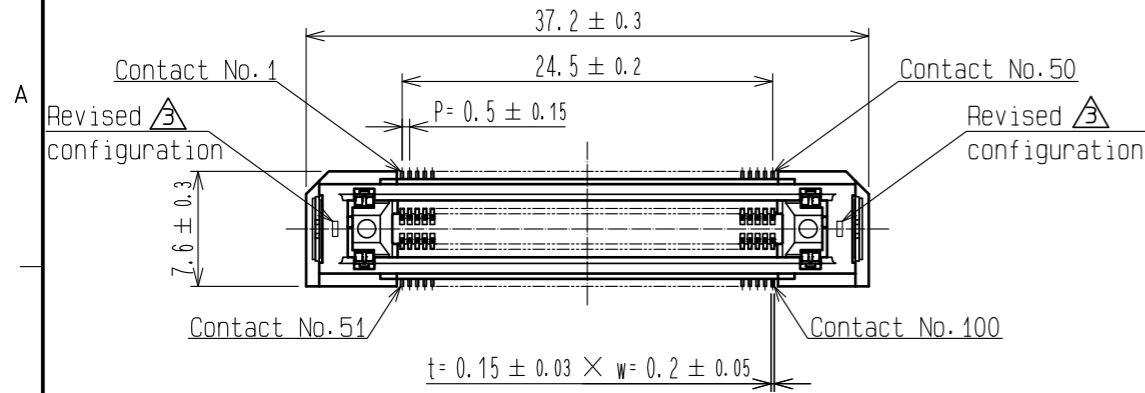


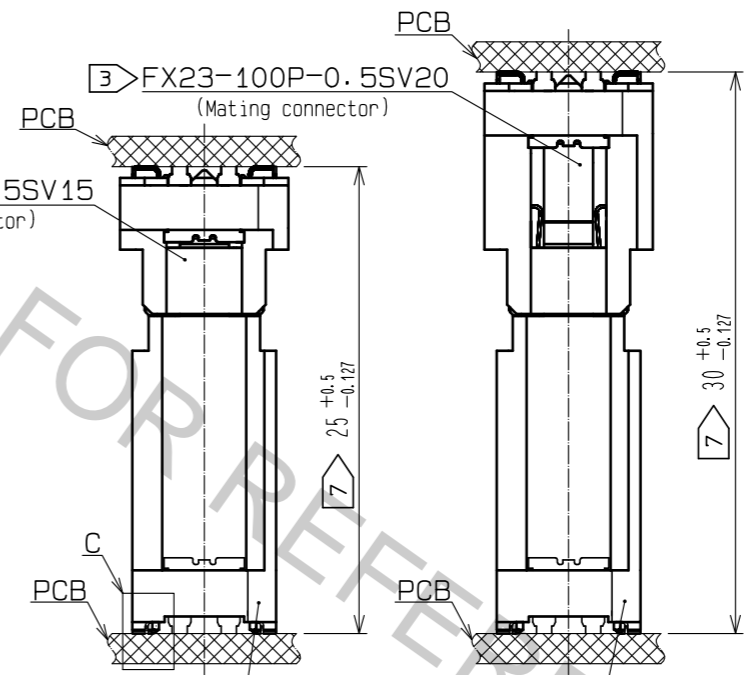
RECOMMENDED LAND PATTERN DIMENSION OF PCB

(PCB THICKNESS: t=1.6mm)

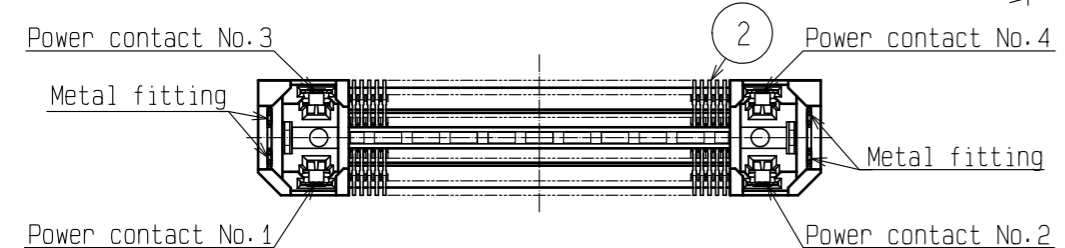
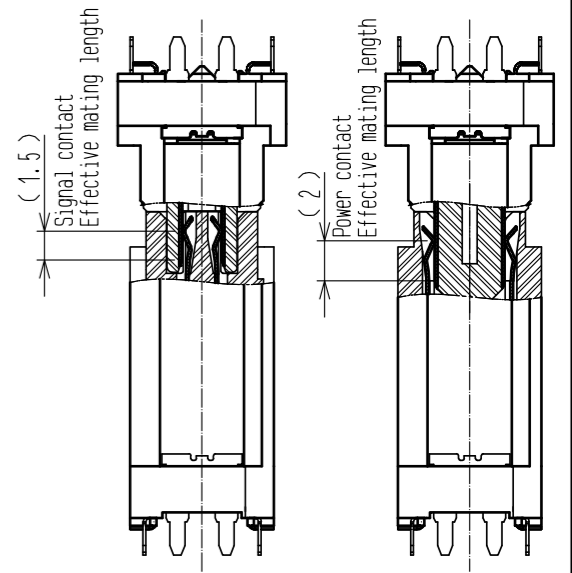
FLOATING RANGE



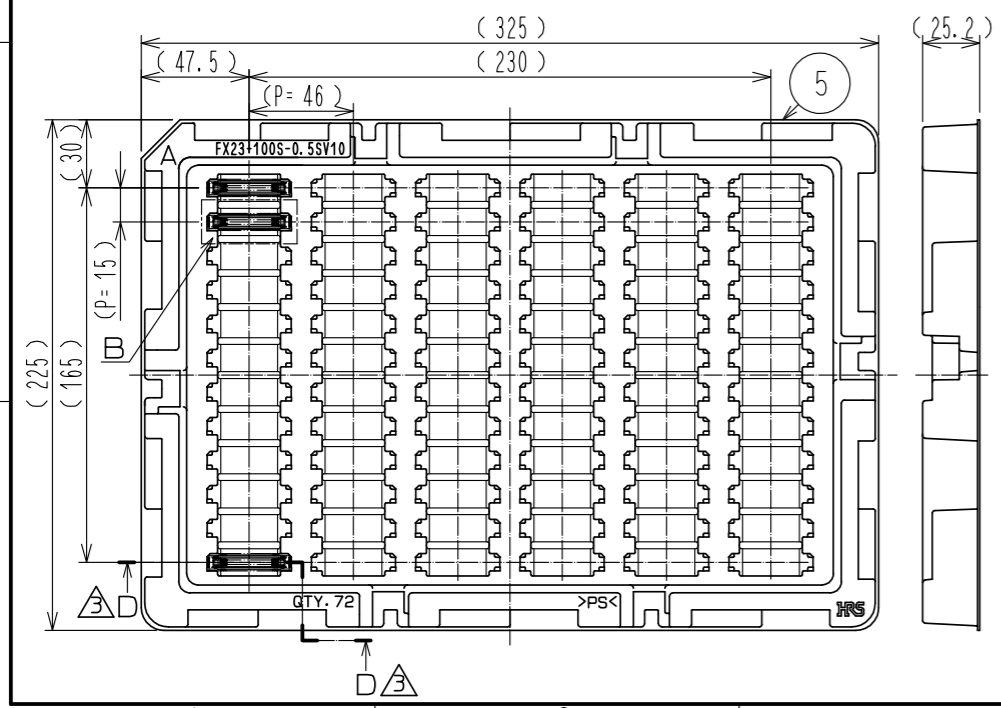
PCB DISTANCE (No scale)



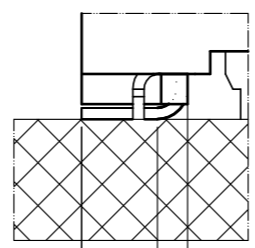
CROSS SECTION OF MATING (No scale)



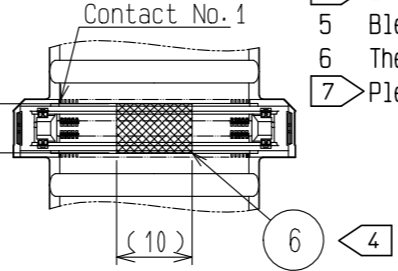
DRAWING FOR PACKING (No scale)



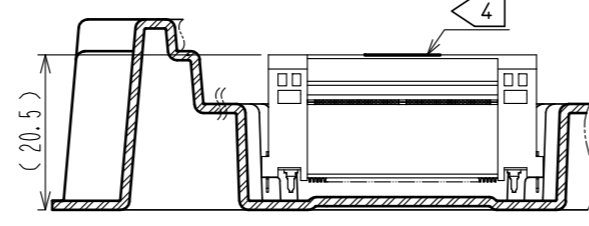
C (10:1)



B (1:1)



D-D (1:1)



- Lead CO-Planarity is 0.1mm MAX.
- This is packaged in tray. (72pcs/tray)
- Floating range of this connector is ±0.6mm MAX.
- It shows the vacuum pickup area. Remove the mylar tape before mating connectors.
- Blemish and hit mark can be occurred through out the manufacturing process which doesn't affect quality level.
- The dimensions in parentheses are for references.
- Please use the connectors within the specified PCB distance.

NO.	MATERIAL	FINISH	REMARKS	NO.	MATERIAL	FINISH	REMARKS
2	COPPER ALLOY		CONTACT AREA:GOLD 0.1 μm LEAD AREA:GOLD 0.03 μm UNDER PLATING:NICKEL 1.3 μm	4	BRASS		LEAD AREA:TIN-PLATING 3 μm UNDER PLATING:NICKEL 1 μm
1	LCP		BLACK UL94V-0	3	COPPER ALLOY		CONTACT AREA:GOLD 0.1 μm LEAD AREA:TIN-PLATING 1 μm UNDER PLATING:NICKEL 1.3 μm

UNITS	SCALE	COUNT	DESCRIPTION OF REVISIONS	DESIGNED	CHECKED	DATE
mm	2:1	5	DIS-F-00000763	TS.00NO	KN.SHIBUYA	15.10.20
APPROVED: HS. OKAWA			14.07.25	DRAWING NO. EDC-353562-00-00		
CHECKED: KN. SHIBUYA			14.07.25	PART NO. FX23-100S-0.5SV10		
DESIGNED: TS.00NO			14.07.25	CODE NO. CL573-3305-5-00		
DRAWN: TS.00NO			14.07.25			

Apr.1.2017 Copyright 2017 HIROSE ELECTRIC CO., LTD. All Rights Reserved.