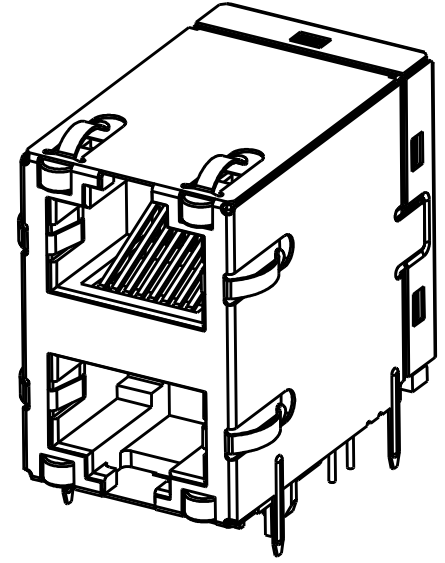


THIS DRAWING AND THE SUBJECT MATTER SHOWN THEREON ARE CONFIDENTIAL AND THE PROPERTY OF BEL/STEWART/TRP CONNECTOR AND SHALL NOT BE REPRODUCED, COPIED, OR USED IN ANY MANNER WITHOUT THE WRITTEN CONSENT OF TRP CONNECTOR.

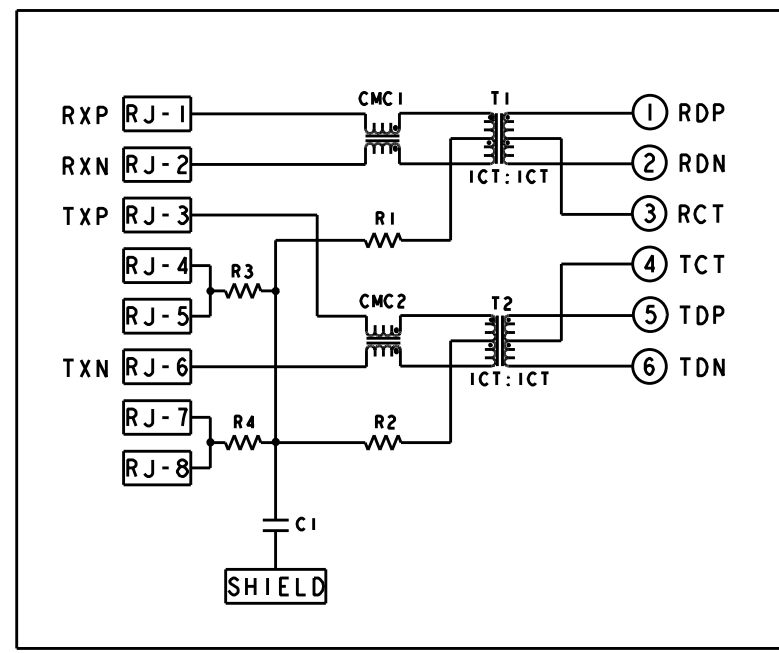
PRODUCT MAY BE PROTECTED BY ONE OR MORE OF THE FOLLOWING US PATENTS:  
 5736910 5939955 6425781 6428361 6554638 6840817 7123117  
 7429195 7717749 7808751 6217391 6149050 7924130

| REVISIONS |           |    |      |                                |
|-----------|-----------|----|------|--------------------------------|
| REV       | DATE      | BY | APPV | DESCRIPTION                    |
| E         | 04JAN2015 | CZ | TY   | EC-1411035 COMPANY LOGO CHANGE |



1. MATERIALS:  
 PLASTIC HOUSING: BLACK, THERMOPLASTIC FLAMMABILITY RATING UL 94V-0  
 SHIELD: BRASS, PREPLATED WITH 0.76um MIN SEMI-BRIGHT NICKEL,  
 POST DIPPED WITH 2.54um MIN SAC SOLDER ON SOLDER TAILS,  
 CONTACTS: PHOSPHOR BRONZE, 1.27um MIN OVERALL NICKEL  
 UNDERPLATE WITH SELECT 1.27um MIN GOLD AT MATING INTERFACE  
 AND 2.54um MIN MATTE TIN ON SOLDER TAILS.  
 ALL PC BOARDS: HIGH TEMPERATURE PCB, TG>170°C
2. MAGNETICS  
 APPLICATION: 10/100 BASE-T  
 IMPEDANCE: 100 OHMS  
 TURNS RATIO (CHIP:CABLE): TX = 1:1, RX = 1:1  
 OPEN CIRCUIT INDUCTANCE (OCL): 350uH MIN @100kHz, 0.1VRMS,  
 8mADC BIAS FROM 0°C TO 70°C, TX AND RX  
 PERFORMANCE @ 25°C:  
 INSERTION LOSS (IL): 1.1dB MAX FROM 0.5MHz TO 100MHz  
 RETURN LOSS (RL): 18dB MIN FROM 0.5MHz TO 30MHz  
 18-20LOG(f/30)dB MIN FROM 30.1MHz TO 60MHz  
 12dB MIN FROM 60.1MHz TO 80MHz  
 CROSSTALK ATTENUATION: 35dB MIN FROM 0.5MHz TO 40MHz  
 33-20LOG(f/50)dB MIN FROM 40.1MHz TO 100MHz  
 COMMON MODE REJECTION RATIO (CMRR): 30dB MIN FROM 0.5MHz TO 100MHz  
 ISOLATION VOLTAGE: 2250VDC (MAX) FOR 60 SECONDS WITH A RISE TIME  
 OF 500V/SEC AND WITH ALL PORTS CONNECTED.
3. PART NUMBER, DATE CODE AND COUNTRY OF ORIGIN ARE LOCATED  
 IN APPROXIMATE AREA SHOWN. DATE CODE: "YY" IS YEAR, "WW" IS  
 WORK WEEK, "D" IS DAY OF WEEK, WITH SUNDAY=1
4. TRP CONNECTOR LOGO AND AGENCY APPROVAL LOGO ARE  
 LOCATED IN APPROXIMATE AREA SHOWN.
5. OPERATING TEMP: FROM 0°C TO +70°C.
6. RJ45 CAVITY CONFORMS TO FCC RULES AND REGULATION PART 68 SUBPART F.
7. INDICATED MAGNETIC CONNECTIONS ARE SYMMETRICAL AND  
 SUPPORT AUTO-MDI/MDIX.
8. DATUM AND BASIC DIMENSION ESTABLISHED BY CUSTOMER.
9. BASIC DIMENSION ESTABLISHED BY CUSTOMER, BUT MAY NOT BE  
 GREATER THAN 5.08mm.
10. LEDs ARE DRIVEN WITH CONSTANT CURRENT AT APPROX 20mA  
 LED COLOR: DOMINANT WAVELENGTH (ID): GREEN 568 nm TYP. @ IF=20mA  
 FORWARD VOLTAGE (VF): GREEN 2.2V TYP. @ IF=20mA  
 DOMINANT WAVELENGTH (ID): YELLOW 588 nm TYP. @ IF=20mA  
 FORWARD VOLTAGE (VF): YELLOW 2.1V TYP. @ IF=20mA
11. THE PARTS ARE RECOMMENDED FOR WAVE SOLDERING PROCESS,  
 PEAK TEMPERATURE 260°C MAX, 10 SECONDS MAX.

S866P9 10/100 BASE-T CIRCUIT  
 TOP AND BOTTOM PORTS

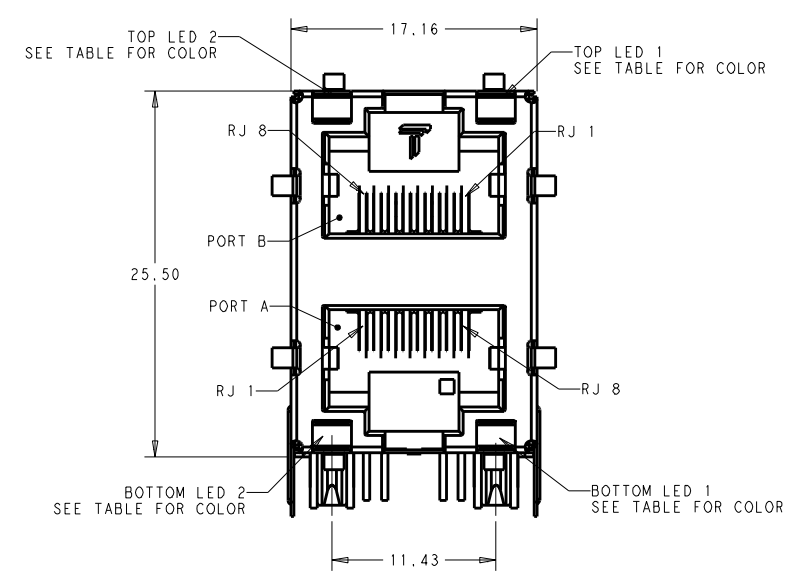
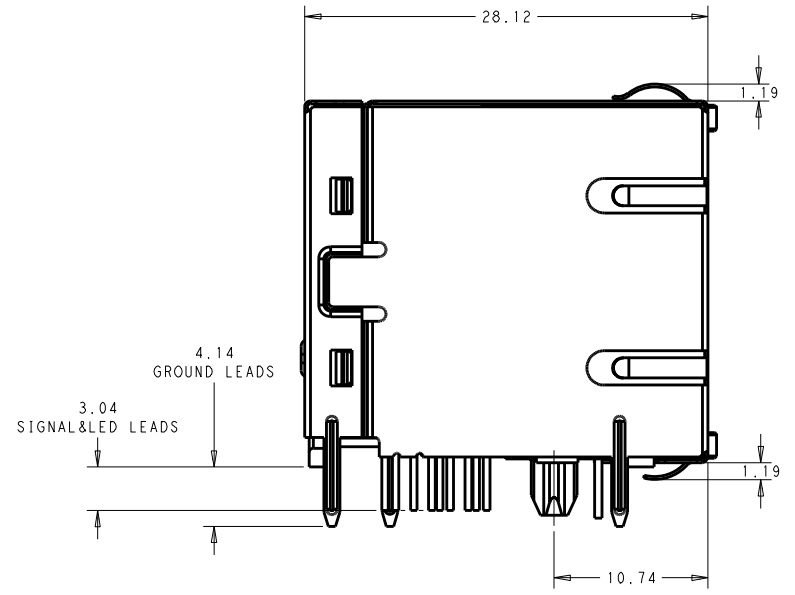
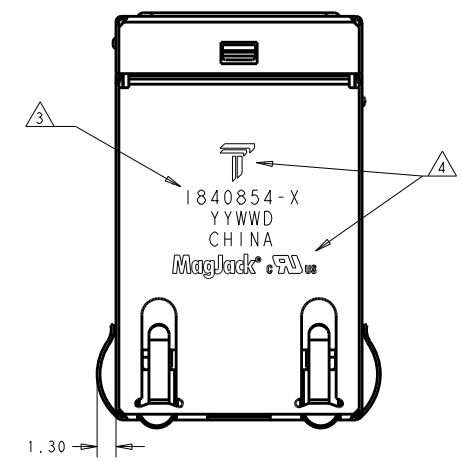


C1 = 1000pF, 2kV, X7R DECOUPLING CAPACITOR  
 R1-R4 = 75 Ohms, 1/16 W, RESISTORS

|   |         |         |         |             |
|---|---------|---------|---------|-------------|
| GRN/YEL                                       | GRN/YEL | GRN/YEL | GRN/YEL | 1840854-4   |
| GREEN   | YELLOW  | GREEN   | YELLOW  | 1840854-3   |
| GREEN   | GREEN   | GREEN   | GREEN   | 1840854-1   |
| BOTTOM LED 2 BOTTOM LED 1 TOP LED 2 TOP LED 1 |         |         |         | PART NUMBER |

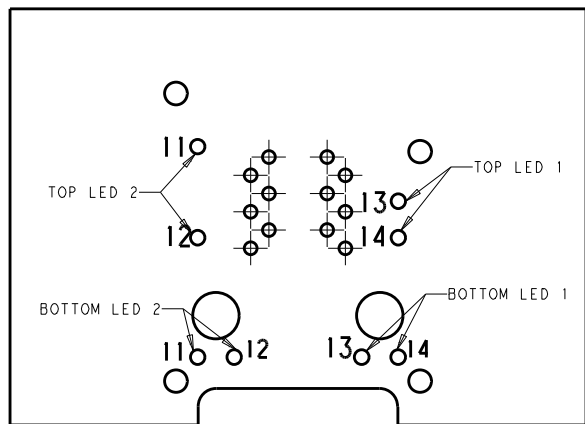
THIS DRAWING IS A CONTROLLED DOCUMENT.

|                         |  |   |  |   |  |
|-------------------------|--|---|--|---|--|
| DIMENSIONS: mm          |  | TOLERANCES UNLESS OTHERWISE SPECIFIED:                  |  | DWN JAMISON CHEN/KO L1 15NOV2010<br>CKW TONY YUAN 15NOV2010<br>APVD KELTH ZHU 15NOV2010 |  |
|                         |  | 0 PLC ±<br>1 PLC ±<br>2 PLC ±0.25<br>3 PLC ±<br>4 PLC ± |  | DONGGUAN CHINA  |  |
| PRODUCT SPEC 108-104004 |  | APPLICATION SPEC  |  | MODEL NAME: MAGJACK<br>2X1 10/100 S866P9 WITH LED                                       |  |
| CUSTOMER DRAWING        |  | SCALE NTS   |  | SHEET 1 OF 4<br>REV E   |  |



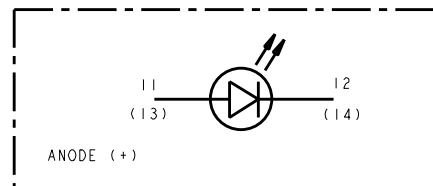
|  |   |   |                                     |                                 |
|--|---|---|-------------------------------------|---------------------------------|
| THIS DRAWING IS A CONTROLLED DOCUMENT. |   | DWN: JAMISON CHEN/KO L I<br>CHK: TONY YUAN<br>APVD: KEITH ZHU | 15NOV2010<br>15NOV2010<br>15NOV2010 | trp CONNECTOR<br>DONGGUAN CHINA |
| DIMENSIONS:<br>mm                      | TOLERANCES UNLESS OTHERWISE SPECIFIED:<br>0 PLC ±<br>1 PLC ±<br>2 PLC ±0.25<br>3 PLC ±<br>4 PLC ±<br>ANGLES ± | MODEL NAME<br>MAGJACK   | DESC<br>2X1 10/100 S866P9 WITH LED  |                                 |
| PRODUCT SPEC<br>108-104004             | APPLICATION SPEC<br>-   | SIZE<br>A1  | CAGE CODE<br>1840854                | RESTRICTED TO<br>-              |
| CUSTOMER DRAWING                       |   | SCALE   | NTS                                 | SHEET 2 OF 4<br>REV F           |



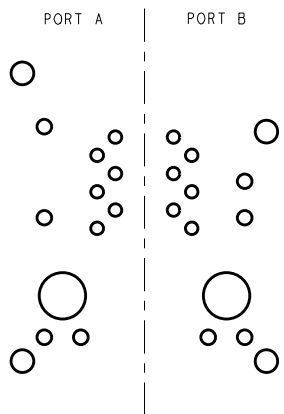
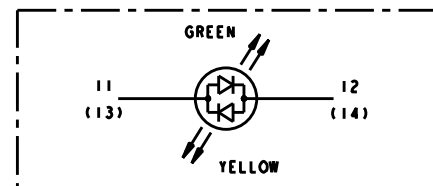


LED HOLE DESIGNATIONS VIEWED FROM COMPONENT SIDE

SINGLE COLOR LED



BI-COLOR LED



|  |   |   |                                    |
|--|---|---|------------------------------------|
| THIS DRAWING IS A CONTROLLED DOCUMENT. |   | DWN JAMISON CHEN/KO L1 15NOV2010<br>CHK TONY YUAN 15NOV2010<br>APVD KELTH ZHU 15NOV2010 | DONGGUAN CHINA                     |
| DIMENSIONS:<br>mm                      | TOLERANCES UNLESS OTHERWISE SPECIFIED:<br>0 PLC ±<br>1 PLC ±<br>2 PLC ±0.25<br>3 PLC ±<br>4 PLC ±<br>ANGLES ° | MODEL NAME<br>MAGJACK   | DESC<br>2X1 10/100 S866P9 WITH LED |
| PRODUCT SPEC<br>108-104004             | APPLICATION SPEC<br>-   | SIZE CAGE CODE DRAWING NO<br>A1 1840854   | RESTRICTED TO<br>-                 |
| CUSTOMER DRAWING                       |   | SCALE   | NTS SHEET 4 OF 4 REV F             |