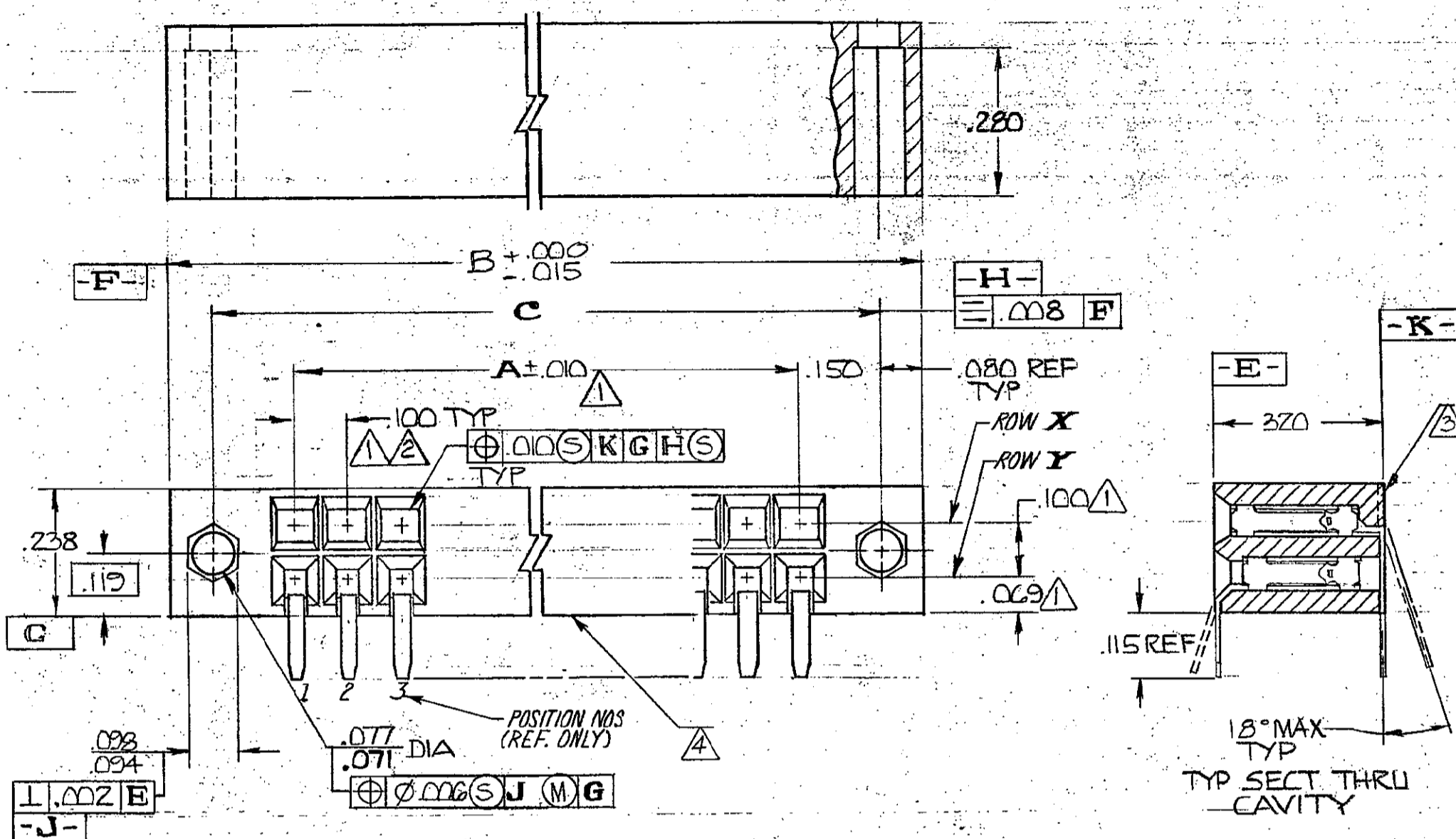
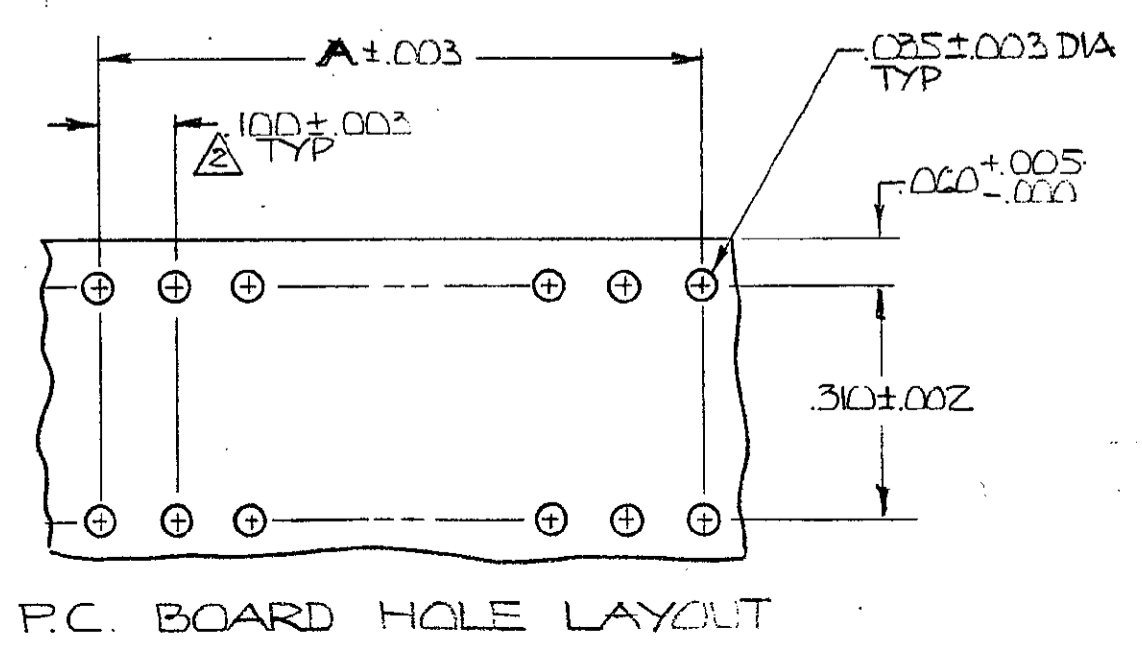


© COPYRIGHT 19 BY AMP INCORPORATED, HARRISBURG, PA.
 ALL INTERNATIONAL RIGHTS RESERVED. AMP INCORPORATED PRODUCTS
 COVERED BY U. S. AND FOREIGN PATENTS AND/OR PATENTS PENDING.

REVISIONS						
P	F	ZONE	LTR	DESCRIPTION	DATE	APPROVED
				RELEASED WAS 5182-614-3		
				ADDED -2 PER ECN 3548	db 11-5-82	RL
02				REV. ECN 4672	db 3-04-83	RL
				REVISED PER ECN AB-0983	db 8-02-85	RL
				ECN AD-2626	TH 6/88	RL
				REV PER 0310-0065-96	ED 1-3-97	
				ECO-15-004141	KG 23APR15	RL



- 1 THESE DIMENSIONS PERTAIN TO CAVITY LOCATIONS ONLY, NOT TO CONTACT LOCATIONS
- 2 TOLERANCE NON-CUMULATIVE.
- 3 SLOT OPTIONAL.
- 4 MARK AMP PART NUMBER, AMP CODE IDENT "00779" "DATE CODE," "AMP" AND "CSA" PER AMP SPEC 115-1105 ON BOTTOM OF HOUSING IN ORDER OF PRECEDENCE AS LISTED.
- 5 .000030 GOLD OVER .000050 NICKEL.



OBSOLETE	FINISH	CUST PART NO. (REF ONLY)	ROW Y	ROW X	C	B	A	NO. OF POS	PART NO
△		164329-03	NONE	ALL	6.200	6.360	5.900	120	102881-2
△		164329-01	NONE	NONE	6.200	6.360	5.900	120	102881-1

UNLESS OTHERWISE SPECIFIED DIMENSIONS ARE IN INCHES. TOLERANCES ON: DECIMALS ±.005 ANGLES ±	CONTRACT NO		AMP INCORPORATED Harrisburg, Pa.	
	DR	12-21-81	NAME	
	CHR	<i>[Signature]</i>	ASSY, HSG, MOD II, DOUBLE ROW	
	APPD	12-23-81	.100X.100 E, WITH HEX KEYING	
MATERIAL HSG: DIALLYL PHTHALATE COLOR: BLUE CONTACTS: PHOS BRONZE	APPD	12-23-81	SIZE CODE IDENT NO DRAWING NO	
FINISH CONTACTS: SEE TABLE.	DSGN APPD		C	00779 102881
	OTHER APPD		SCALE N T S	SHEET

188201