

Approved	Checked	Designed	DEVELOPMENT SPECIFICATION	TEMPORARY
		T. Tabata		

T Y P E	Green Light Emitting Diode					
APPLICATION	Indicators					
MATERIAL	GaP					
OUTLINE	Attached					
ABSOLUTE MAXIMUM RATINGS	P	*1 I _{FP}	I _{FDC}	V _R	Topr	Tstg
	60	60	20	4	-30~+85	-40~+100
	mW	mA	mA	V	°C	°C
CONDITION	T _a = 25 ± 3°C					

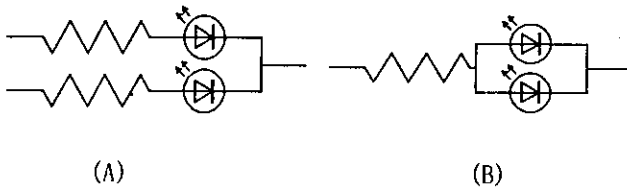
Test Specification

I t e m	Symbol	C o n d i t i o n	Typ	Limit		Unit
				Min	Max	
Forward Voltage	V _F	I _F = 10 mA	2.03		2.6	V
Reverse Leakage Current	I _R	V _R = 4 V			10	μA
Luminous Intensity *2	I _O	I _F = 10 mA DC	3.5	2.0		mcd
Peak Emission Wavelength	λ _p	I _F = 10 mA DC	555			nm
Spectral Line Half Width	Δλ	I _F = 10 mA DC	20			nm

- *1. The Condition of I_{FP} is duty 10 %, Pulse width 1 ms
- *2. Tolerance of luminous intensity : ±20%.

NOTE

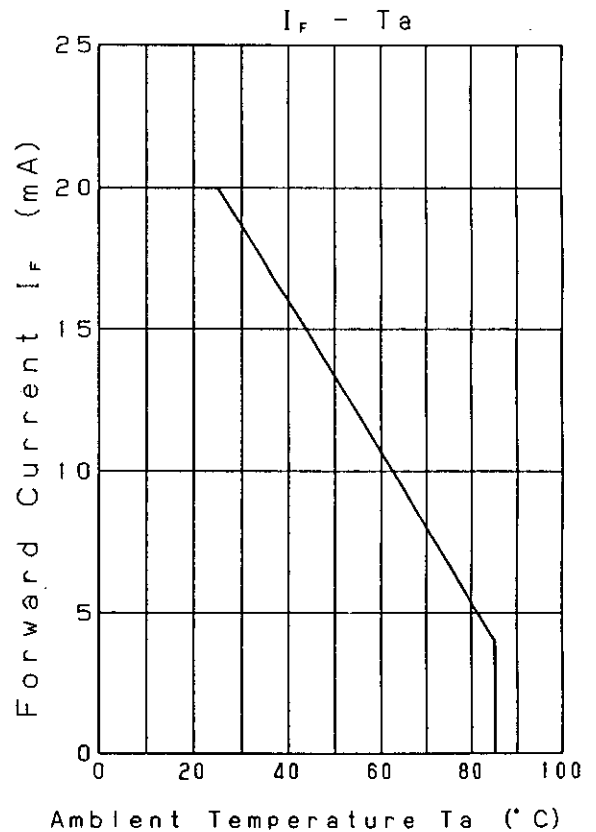
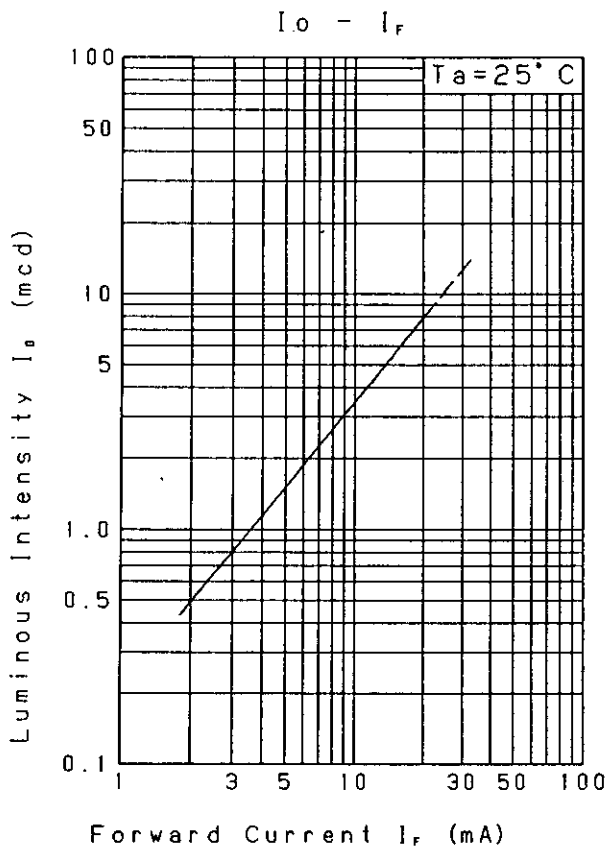
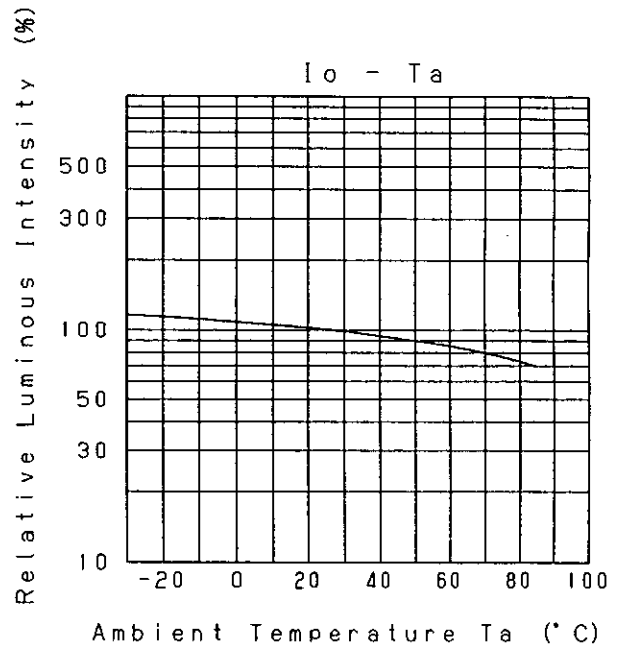
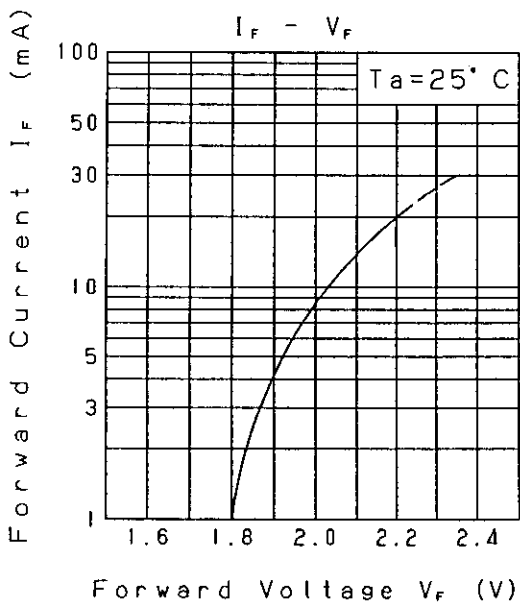
- ★1. Please contact the Panasonic local office if you design at low current (below 1mA DC) or pulse current operation and have any questions.
- ★2. Soldering conditions...Refer to Handling note.
- ★3. Compositions of the lead ... Cu/Ni/Au plating
- ★4. Circuit to operate LED.



- (A) Recommended circuit.
- (B) The difference of brightness between the LED could be found due to the V_F characteristics of each LED.

Nov. 7. 2001			

Approved	Checked	Designed	DEVELOPMENT SPECIFICATION	TEMPORARY
		T. Takata		



Nov. 7. 2001

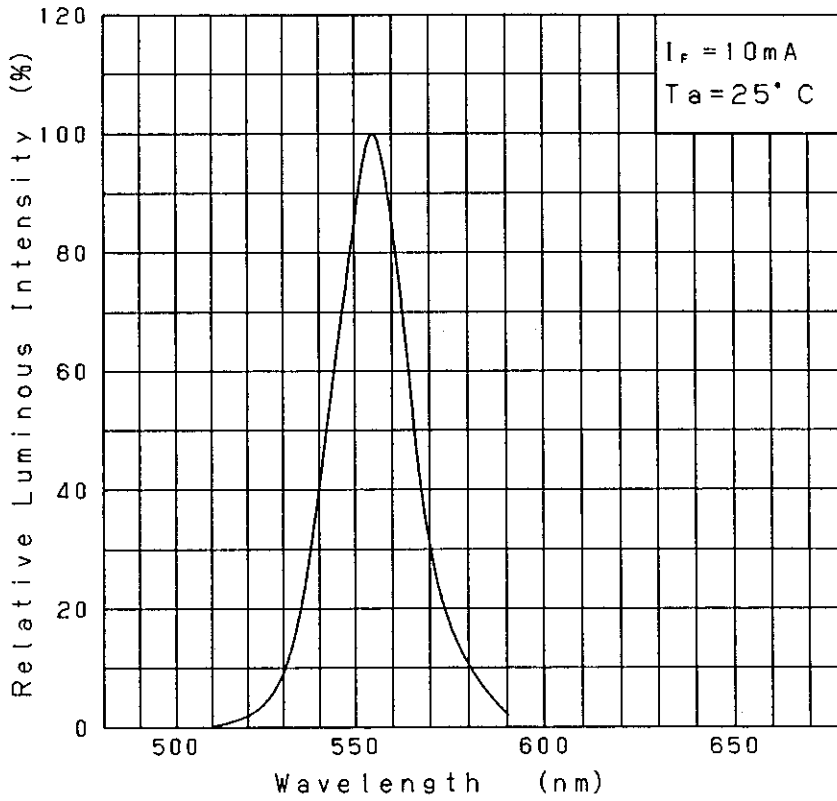
Approved	Checked	Designed
		T. Tabata

DEVELOPMENT SPECIFICATION

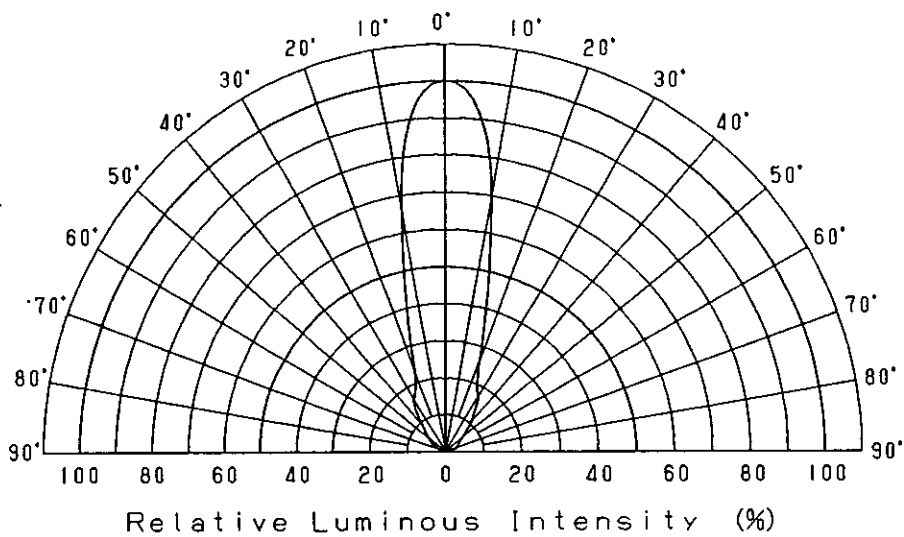
P/N: LNJ318C8PRA

TEMPORARY

Relative Luminous Intensity
Wavelength Characteristics



Directive Characteristics



Nov. 7. 2001

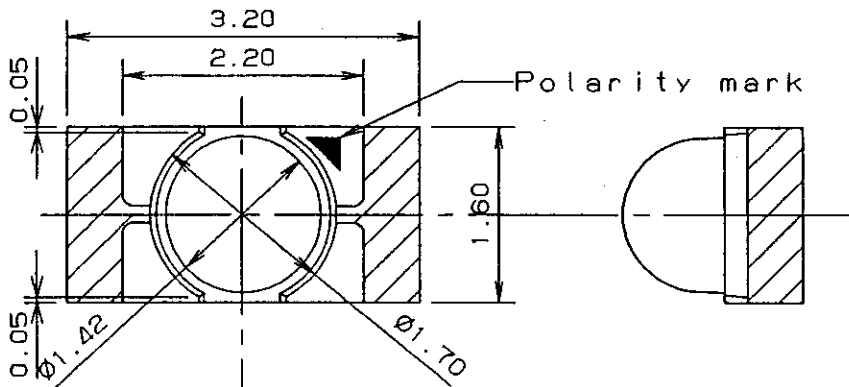
Approved <i>T. Shindo</i>	Checked <i>h. h. h.</i>	Designed <i>T. Tabata</i>
------------------------------	----------------------------	------------------------------

DEVELOPMENT SPECIFICATION
(OUTLINE)

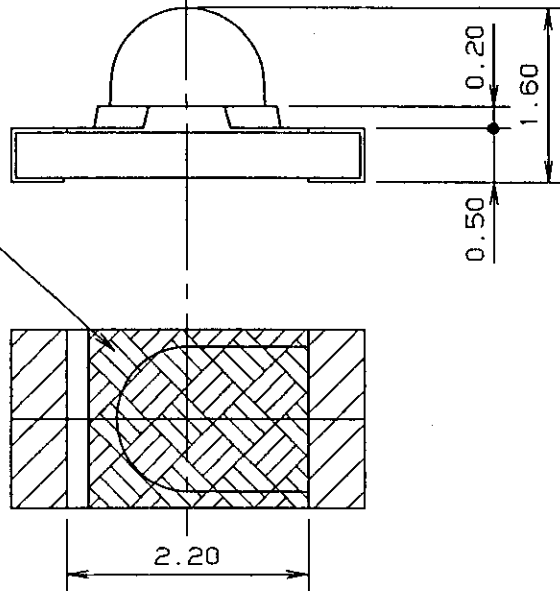
P/N: _____

TEMPORARY

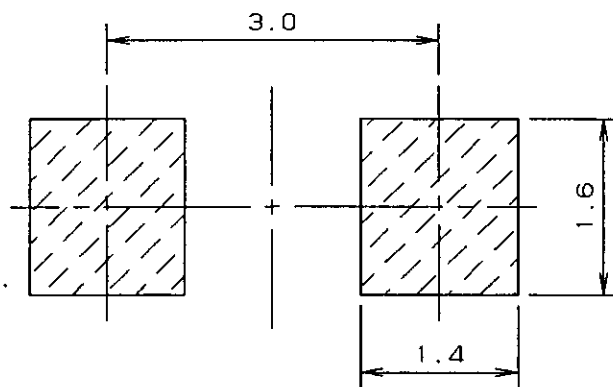
Outline



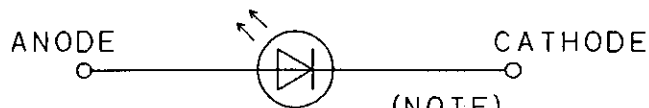
Protect mask



Recommended Land Layout



Polarity



(NOTE)

1. Unit:mm

2. Tolerance unless specified is ± 0.15 .

3. indicate Au terminal.

Jul. 5.2001