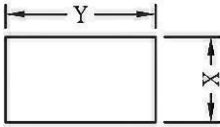
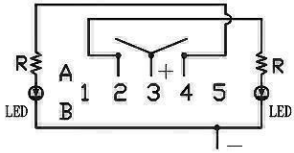
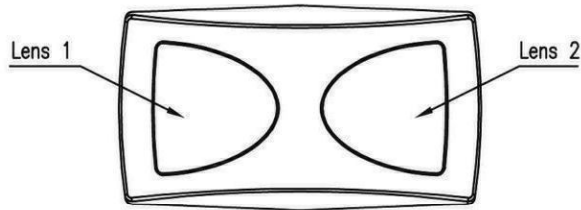


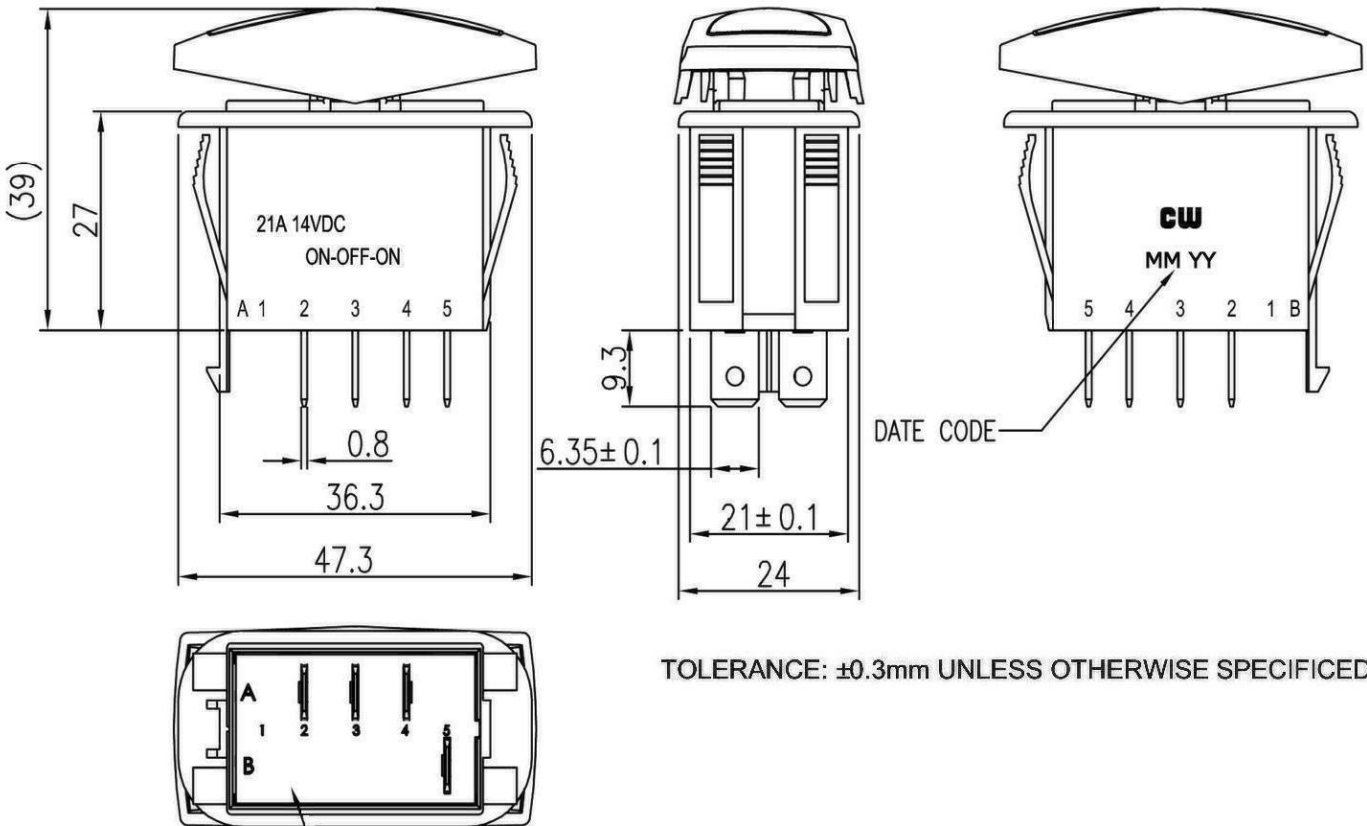
THIS INFORMATION IS CONFIDENTIAL AND PROPRIETARY TO CW INDUSTRIES INCORPORATED AND ITS AFFILIATES. IT MAY NOT BE DISCLOSED TO ANYONE, OTHER THAN CW INDUSTRIES PERSONNEL, WITHOUT WRITTEN AUTHORIZATION FROM CW INDUSTRIES INCORPORATED, SOUTHAMPTON, PENNSYLVANIA USA.

Rating	21A 14VDC		Mounting Hole 	Circuit Diagram 									
Contact Resistance	50m ohm Max.												
Insulation Resistance	DC 500V 100M ohm Min.												
Dielectric Strength	AC 1500V 1 minute												
Operation Temperature	-25°~85°												
Switch Function	4P SPDT ON-OFF-ON Lamp Dependent		<table border="1"> <tr> <th>Thickness(mm)</th> <th>X(mm)</th> <th>Y(mm)</th> </tr> <tr> <td>0.75~1.25</td> <td rowspan="3">21.0^{+0.3}₀</td> <td>36.6+0.1</td> </tr> <tr> <td>1.25~2.0</td> <td>36.8+0.1</td> </tr> <tr> <td>2.0~3.0</td> <td>37.0+0.1</td> </tr> </table>	Thickness(mm)	X(mm)	Y(mm)	0.75~1.25	21.0 ^{+0.3} ₀	36.6+0.1	1.25~2.0	36.8+0.1	2.0~3.0	37.0+0.1
Thickness(mm)	X(mm)	Y(mm)											
0.75~1.25	21.0 ^{+0.3} ₀	36.6+0.1											
1.25~2.0		36.8+0.1											
2.0~3.0		37.0+0.1											
Lamp Type	LED 12VDC 14V	w/resistor											



Material:

- Frame:** Black, Nylon 66 (94V-2)
Actuator: Black, Nylon 66+33% GF
Lens 1: Red, PC
Lens 2: Green, PC
Terminal: Silver plated copper (except lamp terminal)
Printed: None
- Waterproof:** IP-67



TOLERANCE: ±0.3mm UNLESS OTHERWISE SPECIFIED.

RoHS Compliant

- | | |
|---|---|
| 3 | Added Dependent to Function & Lamp Type. 12/16/2011. |
| 2 | IP67 was I66 and added Sealant on base to bot. view. 8/24/10. |
| 1 | IP66 was IP67 & Removed Filled Epoxy from bot. view. 7/22/10 |

CW INDUSTRIES
 Southampton, Pa. 18966
 Tel 215.355.7080/www.cwind.com

Date Drawn: 9/29/09

Rev. 3

Unit: mm

Checked By: *G. Gold*

Title: **ROCKER SWITCH**

CW P/N: **GRB292D301BBRG1**