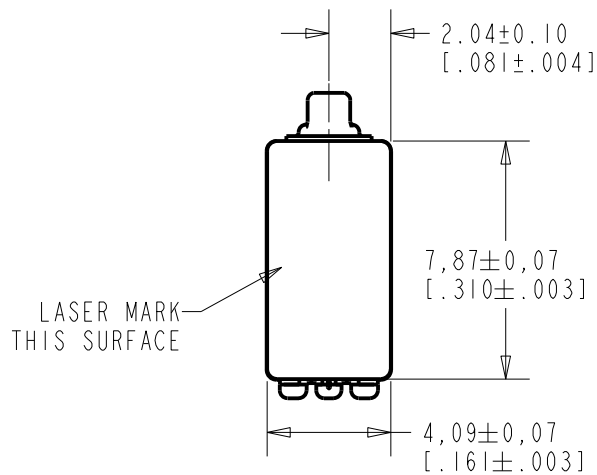


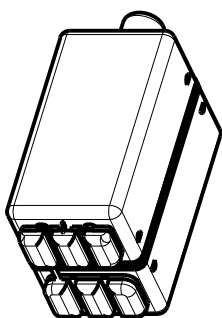
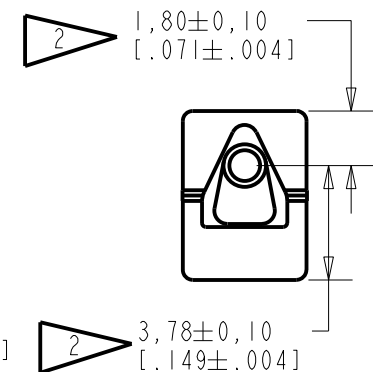
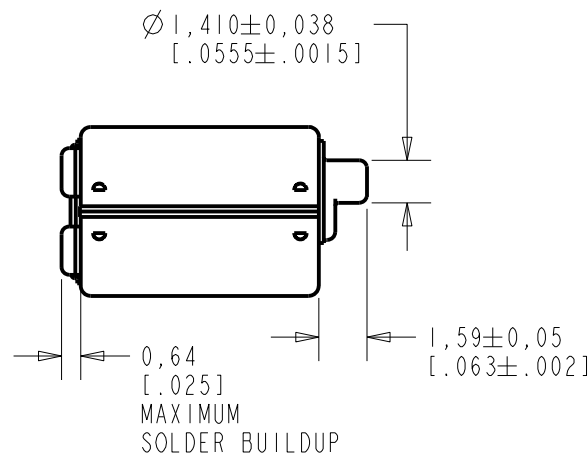
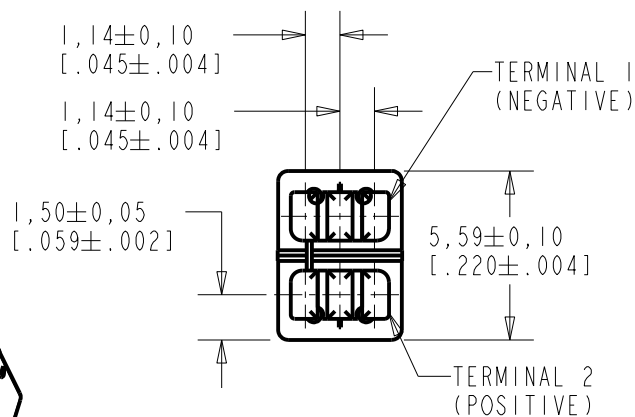
DTEC-31116-000
SHT 1.1



NOTES:

1. A POSITIVE GOING VOLTAGE AT TERMINAL 2, RELATIVE TO TERMINAL 1, CAUSES A DECREASE IN PRESSURE AT THE SOUND OUTLET.

2. LOCATED FROM TWO SURFACES FOR CUSTOMER CONVENIENCE. ONLY APPLICABLE FROM ONE SURFACE, NOT TO BE USED TOGETHER. HORIZONTAL LOCATION FOR TERMINAL CENTERED TO ±0.17 [.007].



RED CONTROLLED

NOMINAL WEIGHT
.71 GRAMS

DIMENSIONS IN MILLIMETERS [INCHES]

Revision	C.O. #	Implementation Date	RELEASE LEVEL	REVISION
			Active	A
A	C10111188	4-6-10		

SCALE:	4:1	DR. BY	DATE
DO NOT SCALE DRAWING		SDZ	4-6-10
TITLE:	RECEIVER	CK. BY	DATE
	OUTLINE DRAWING	GJP	4-6-10
	DTEC-31116-000	APP. BY	DATE
	SHT 1.1	GJP	4-6-10

KNOWLES ELECTRONICS
ITASCA, ILLINOIS U.S.A.

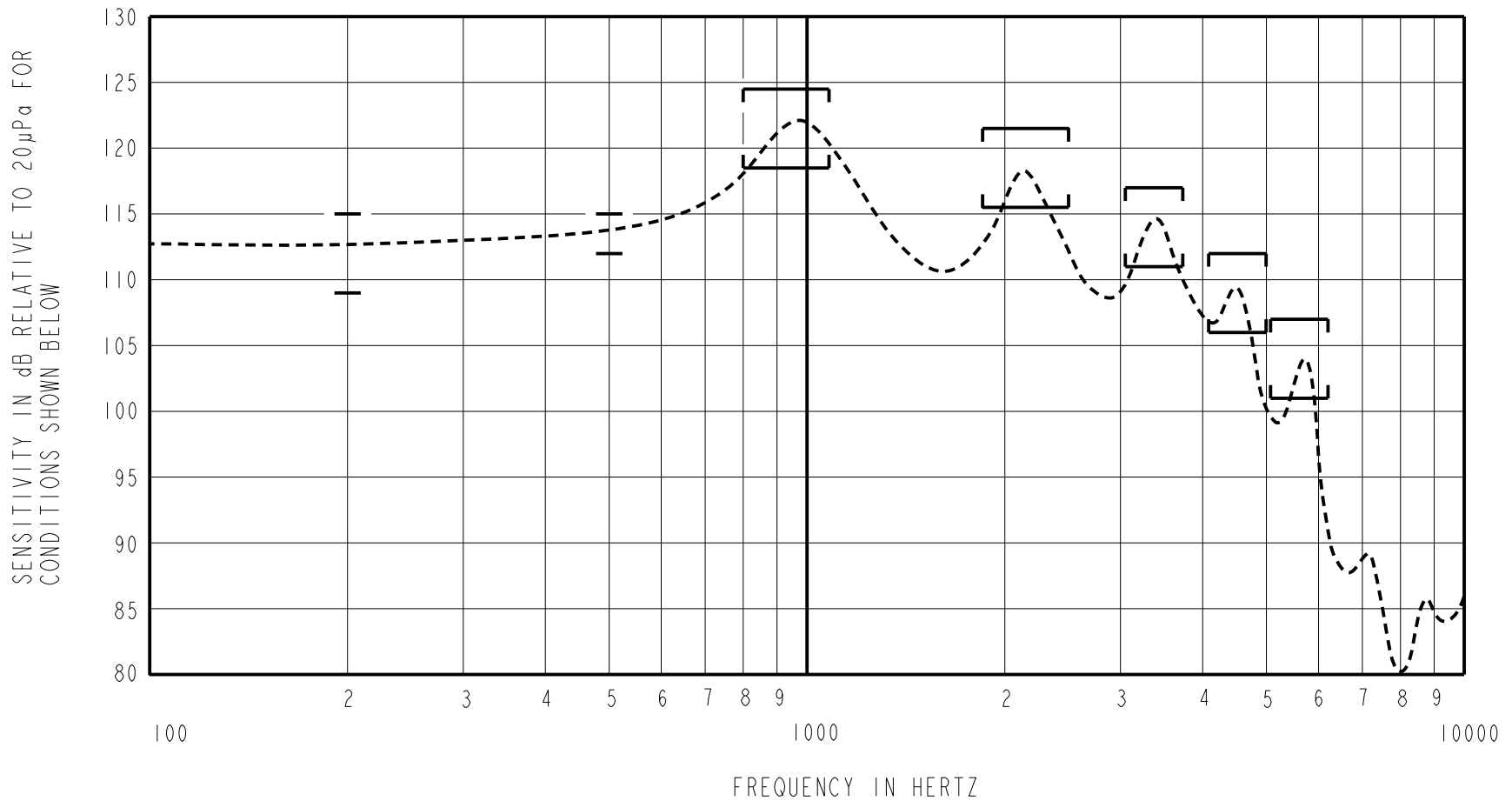
THE DTEC-31116-000 IS A PAIR OF BALANCED ARMATURE RECEIVERS INTENDED FOR USE IN BTE HEARING AIDS. IT HAS A LOW DCR TO IMPEDANCE RATIO, HAS THE CENTER TERMINAL CONNECTED TO CASE AND IS THE SAME SIZE AS AN EF RECEIVER

NO DAMPING

DTEC-31116-000
SHEET 2.1

NOTE: SPECIFICATIONS FOLLOWED BY AN ASTERISK (*) ARE 100% TESTED.

CONSTANT VOLTAGE DRIVE CONDITIONS



ACOUSTICAL

SENSITIVITY*
DEVICE WILL PRODUCE THE SPL LISTED BELOW UNDER TEST CONDITIONS DESCRIBED IN TABLE 3. NOMINAL SENSITIVITY AT 500 Hz IS dB RELATIVE TO 20µPa. ALL OTHER VALUES IN dB RELATIVE TO THE SENSITIVITY AT 500 Hz.

FREQUENCY (Hz)	MINIMUM	NOMINAL	MAXIMUM
200	-4.5	-1.5	+1.5
500	-1.5	+113.5	+1.5
800-1080	+5.0	+8.0	+11.0
1850-2500	+2.0	+5.0	+8.0
3050-3730	-2.5	+0.5	+3.5
4085-4995	-7.5	-4.5	-1.5
5075-6205	-14.0	-11.0	-8.0

TABLE 1

TOTAL HARMONIC DISTORTION*
DEVICE WILL NOT EXCEED TOTAL HARMONIC DISTORTION LEVELS LISTED BELOW.

FREQUENCY (Hz)	AC DRIVE (V rms)	DC BIAS (mA)	LIMIT (%)
315	0.164	0	5
470	0.164	0	5
470	0.328	0	10

TABLE 2

TEST CONDITIONS

NOMINAL SOURCE VOLTAGE	0.164 V rms, TO DELIVER 0.70 mVA AT 500 Hz
SOURCE IMPEDANCE	<1 Ohm
TUBING	8mm X 1mm ID + 28mm X 1.5mm ID EAR HOOK SIMULATOR + 25mm X 2mm ID TUBE + 18mm X 3mm ID TUBE
COUPLER CAVITY	2 cm ³ , SIMULATED ANSI S3.7 TYPE HA-3 (IEC 60318-5)

TABLE 3

RED CONTROLLED

KNOWLES ELECTRONICS
ITASCA, ILLINOIS U.S.A.

Revision	C.O. #	Implementation Date	RELEASE LEVEL	REVISION
A	C10111188	4-6-10	Active	A
WHEN TEST LIMITS ARE USED TO ESTABLISH INCOMING INSPECTION ACCEPTANCE/REJECTION CRITERIA, CORRELATION OF TEST EQUIPMENT WITH KNOWLES IS ALSO REQUIRED FOR ELIMINATION OF EQUIPMENT AND TEST METHOD VARIATION				DR. BY DATE
TITLE: RECEIVER PERFORMANCE SPECIFICATION				SDZ 4-6-10
				DTEC-31116-000
SHT 2.1				GJP 4-6-10
				GJP 4-6-10


DTEC-31116-000

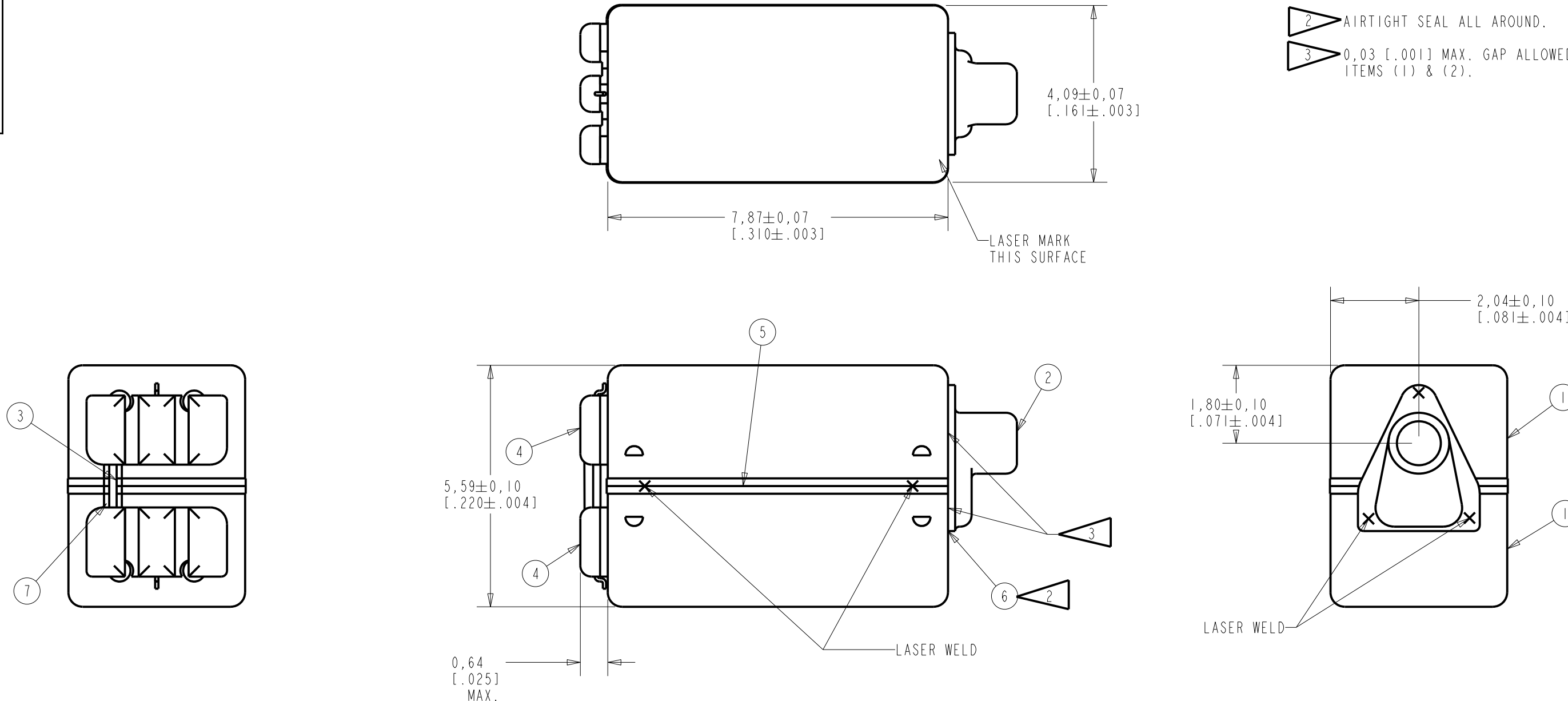
PROPRIETARY NOTE: THIS DOCUMENT CONTAINS INFORMATION WHICH IS THE PROPRIETARY PROPERTY OF KNOWLES ELECTRONICS, LLC. OR ITS AFFILIATED ENTITIES. IT IS ISSUED IN STRICT CONFIDENCE AND SHALL NOT BE REPRODUCED, COPIED, USED, OR DISCLOSED TO ANY THIRD PARTY PARTIALLY OR WHOLLY IN ANY MANNER WITHOUT PRIOR WRITTEN PERMISSION OF, AND MUST BE RETURNED UPON REQUEST BY, KNOWLES ELECTRONICS, LLC.

NOTES:

1. ITEM NUMBERS (SHOWN THUS ) CORRESPOND TO ITEM NUMBER ON BILL OF MATERIAL.

 2 AIRTIGHT SEAL ALL AROUND.

 3 0,03 [.001] MAX. GAP ALLOWED BETWEEN ITEMS (1) & (2).



DIMENSIONS IN MILLIMETERS [INCHES]

RELEASE LEVEL	REVISION
Active	A
SCALE: 10:1	DO NOT SCALE DRAWING
DR. BY SDZ	DATE 4-6-10
CH. BY GJP	DATE 4-6-10
APP. BY GJP	DATE 4-6-10
DTEC-31116-000	
SHEET 3.1	

MATERIAL	SEE BILL OF MATERIAL	FINISH	- - -
REF.	NONE	UNLESS OTHERWISE SPECIFIED, DIMENSIONS ARE IN INCHES	THIRD ANGLE PROJECTION
A	C1011188		
RED CONTROLLED		TITLE	
		RECEIVER DUAL	

KNOWLES ELECTRONICS
ITASCA, ILLINOIS U.S.A.

DTEC-31116-000			KNOWLES ELECTRONICS		DTEC-31116-000	
Sheet 4.1			ITASCA, ILLINOIS U.S.A.		Sheet 4.1	
Dr.	By	Date	RECEIVER DUAL	Revision		
Ch.	GJP	4-6-10		A		Release Level
App.	GJP	4-6-10				Active

COL. 1	2	3	4	Item No.	Line No.
Part or Dwg. no.	Tot. Req.	Nomenclature:	Applicable Specs or Remarks		
TEC-31118-000	2	RECEIVER ASSEMBLY		1	1
BI-013	1	TUBE		2	2
103-074	A/R	WIRE		3	3
285-007-001	A/R	SOLDER LEAD FREE		4	4
13-092-130101	A/R	CEMENT		5	5
13-092-130111E	A/R	CEMENT		6	6
13-092-130109	A/R	CEMENT		7	7

REVISION
 A c.o. C1011188

RED CONTROLLED

DTEC-31116-000
 Sheet 4.1

PROPRIETARY NOTE: THIS DOCUMENT CONTAINS INFORMATION WHICH IS THE PROPRIETARY PROPERTY OF KNOWLES ELECTRONICS, LLC. OR ITS AFFILIATED ENTITIES. IT IS ISSUED IN STRICT CONFIDENCE AND SHALL NOT BE REPRODUCED, COPIED, USED, OR DISCLOSED TO ANY THIRD PARTY PARTIALLY OR WHOLLY IN ANY MANNER WITHOUT PRIOR WRITTEN PERMISSION OF, AND MUST BE RETURNED UPON REQUEST BY, KNOWLES ELECTRONICS, LLC.

REF: 0

PRODUCTION TEST INFORMATION

SOFTWARE REVISION PXI FCART	SOFTWARE 1.73 MIN.
HARDWARE REVISION PXI FCART	KE 1065C.008G MIN.

RED CONTROLLED

Revision	C.O. #	Implementation Date	RELEASE LEVEL	REVISION
A	C10111188	4-6-10	Active	A

WHEN TEST LIMITS ARE USED TO ESTABLISH INCOMING INSPECTION ACCEPTANCE/REJECTION CRITERIA, CORRELATION OF TEST EQUIPMENT WITH KNOWLES IS ALSO REQUIRED FOR ELIMINATION OF EQUIPMENT AND TEST METHOD VARIATION	DR. BY	DATE
	SDZ	4-6-10
	CK. BY	DATE
	GJP	4-6-10
TITLE:	RECEIVER	DTEC-31116-000
	PERFORMANCE SPECIFICATION	SHT 5.1
		APP. BY
		DATE
		GJP
		4-6-10

KNOWLES ELECTRONICS
ITASCA, ILLINOIS U.S.A.