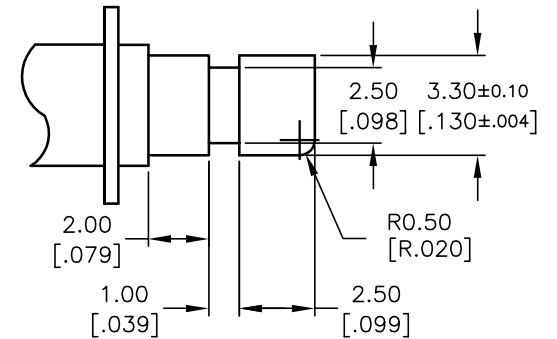
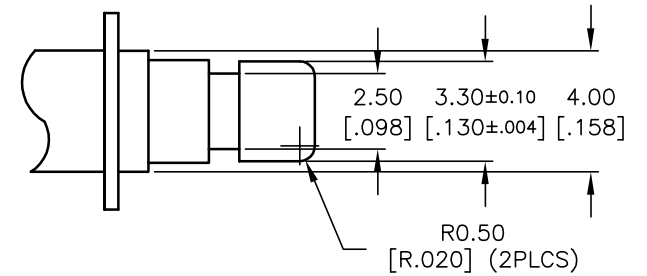
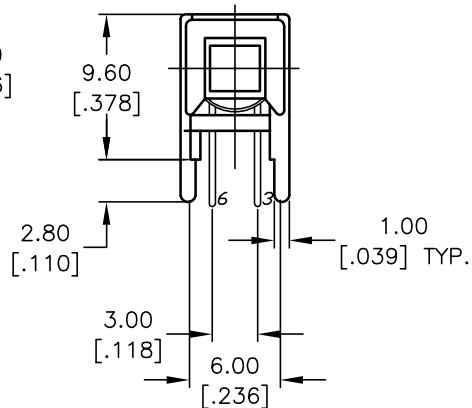
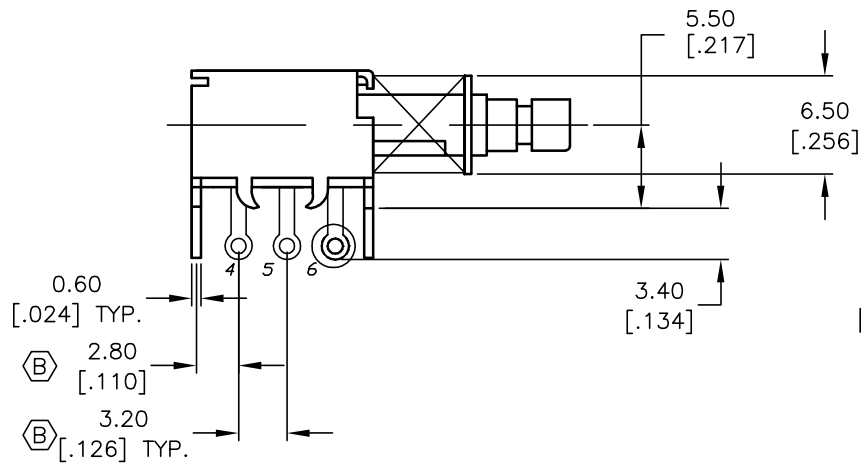


CIRCUIT: DPDT

CONTACT CONFIGURATION



(ACTUATOR DETAIL) SCALE 4:1

NOTES:

1. ALL DIMENSIONS IN MM
2. GENERAL TOLERANCE: X.X=±0.4  
X.XX=±0.25
3. TERM. NOS. FOR REFERENCE ONLY.

**E-SWITCH®**

B	13436	CORRECT DIMENSIONS	9/10/03	AR
A	13298	RELEASED FOR PRODUCTION	7/18/03	AR
REV.	ECN No.	DESCRIPTION	DATE	CHKD

TITLE				
LC22550ANS				
SCALE	DATE	DR	DWG	REV
2:1	7/18/03	AR	P070171	B

THE INFORMATION CONTAINED IN THIS DOCUMENT IS PROPRIETARY TO E-SWITCH AND IS NOT TO BE COPIED OR TRANSFERRED