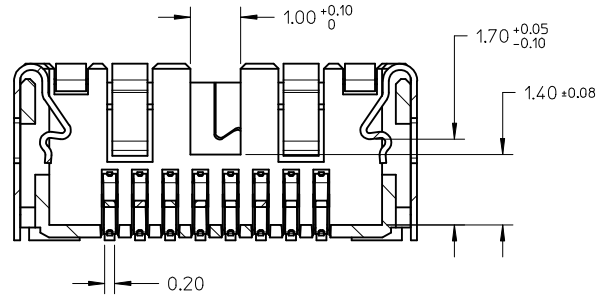
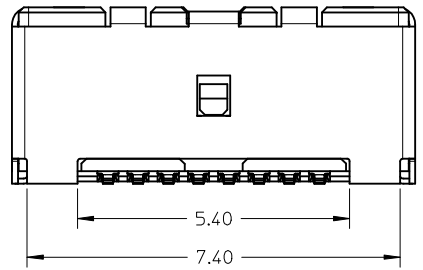


SECTION Y-Y

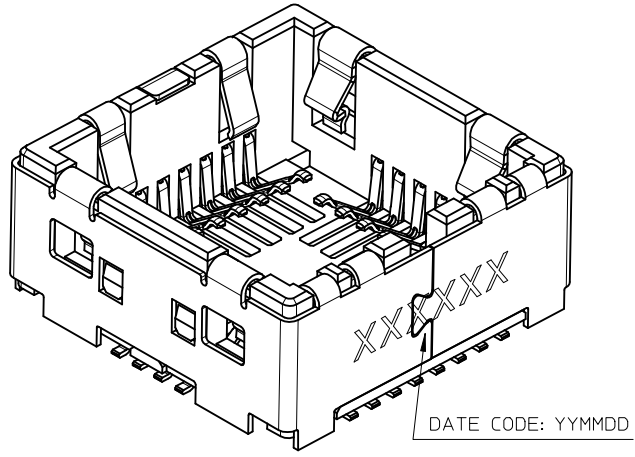
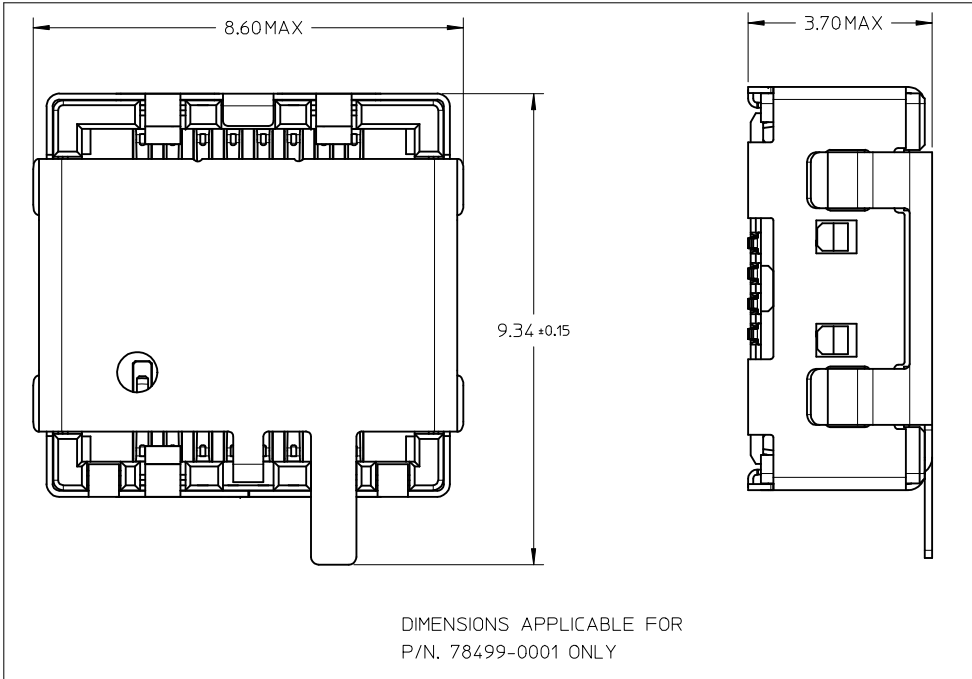


SECTION Z-Z

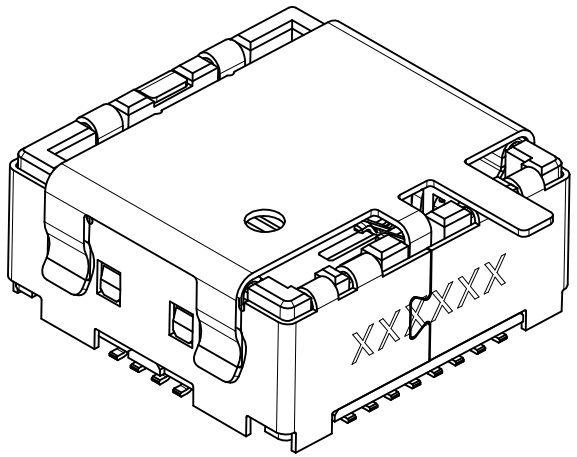
NOTES:

1. MATERIALS
HOUSING: HIGH TEMPERATURE PLASTIC, BLACK
TERMINAL: COPPER ALLOY.
SHIELD : COPPER ALLOY.
2. FINISHES
SHIELD : SOLDERABLE NICKEL PLATING OVERALL
TERMINAL: NICKEL UNDERPLATING 1.0 MICROMETER MIN OVERALL
GOLD PLATING 0.3 MICROMETER MIN ON CONTACT AREA
GOLD PLATING 0.02 MICROMETER MIN ON SOLDER TAIL
3. PRODUCT SPECIFICATION : PS-78499-001
4. PACKAGING : TAPE AND REEL. REFER TO PK-78499-001
5. OVERALL COPLANARITY TO BE 0.08 MM MAX

REVISED EC NO: SH2014-0140 DRWN: YXZHENG CHKD: AYIN APPR: AYIN	2013/07/17 2013/07/17 2013/10/24	DESCRIPTION	QUALITY SYMBOLS	GENERAL TOLERANCES (UNLESS SPECIFIED)		DIMENSION STYLE		SCALE	DESIGN UNITS	THIRD ANGLE PROJECTION			
			$F_A=0$	mm	INCH	MM ONLY		NTS	METRIC				
			$F_C=0$	4 PLACES	± ---	± ---	DRAWN BY	DATE	TITLE				
			$F_P=0$	3 PLACES	± ---	± ---	CMTEO	2009/03/31	6.5*6.5 CAMERA SOCKET SMT BOTTOM CONTACT TYPE				
			2 PLACES	± 0.15	± ---	CHECKED BY	DATE	MOLEX INCORPORATED					
			1 PLACE	± ---	± ---	CGTAN	2009/06/30	DOCUMENT NO.					
			ANGULAR ± 1 °			APPROVED BY	DATE	SHEET NO.					
			DRAFT WHERE APPLICABLE MUST REMAIN WITHIN DIMENSIONS			SHLENI	2010/05/21	SD-78499-001					
						MATERIAL NO.	SEE TABLE						
						SIZE	THIS DRAWING CONTAINS INFORMATION THAT IS PROPRIETARY TO MOLEX INCORPORATED AND SHOULD NOT BE USED WITHOUT WRITTEN PERMISSION						
						A3							



ISOMETRIC VIEW
P/N:78499-0002
WITHOUT PICK AND PLACE CAP

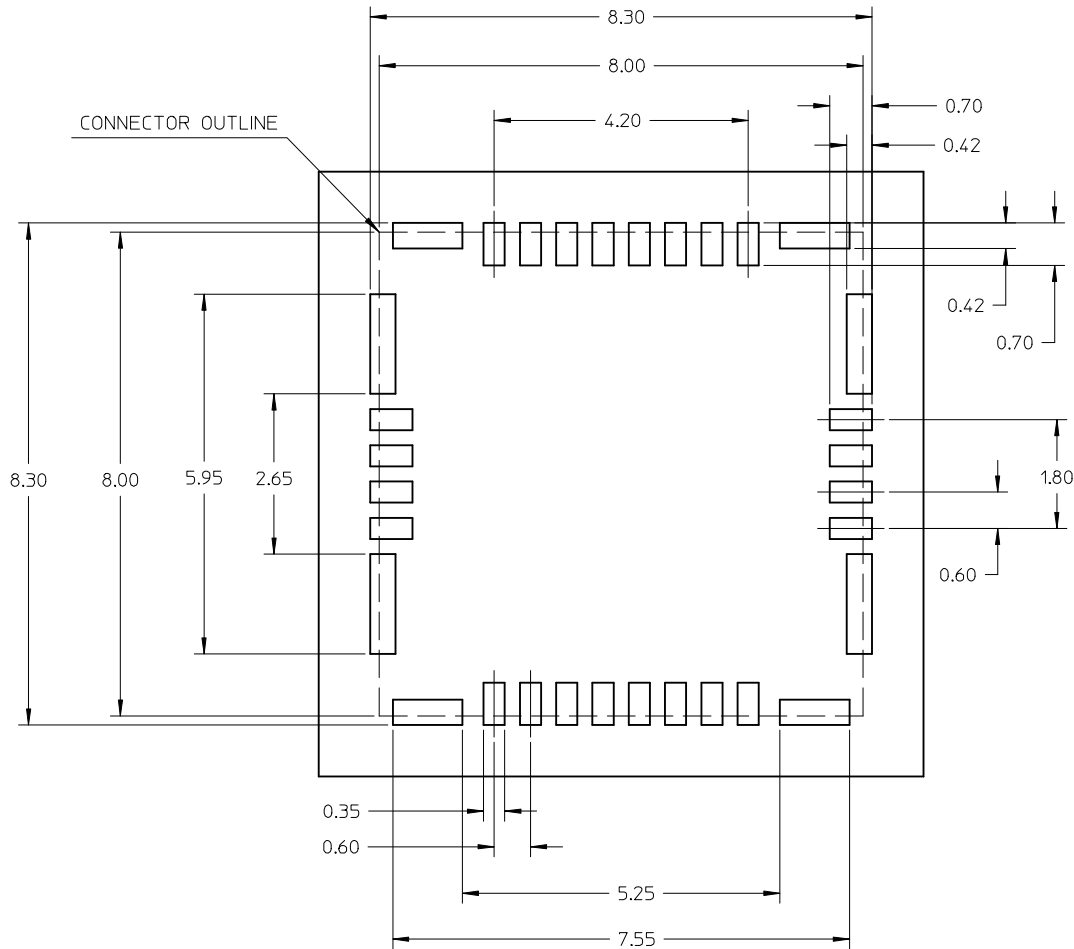


ISOMETRIC VIEW
P/N: 78499-0001
WITH PICK AND PLACE CAP

PART NO.	CAP CONFIGURATION	PACKAGING
78499-0001	WITH PICK AND PLACE CAP	TAPE AND REEL
78499-0002	WITHOUT PICK AND PLACE CAP	

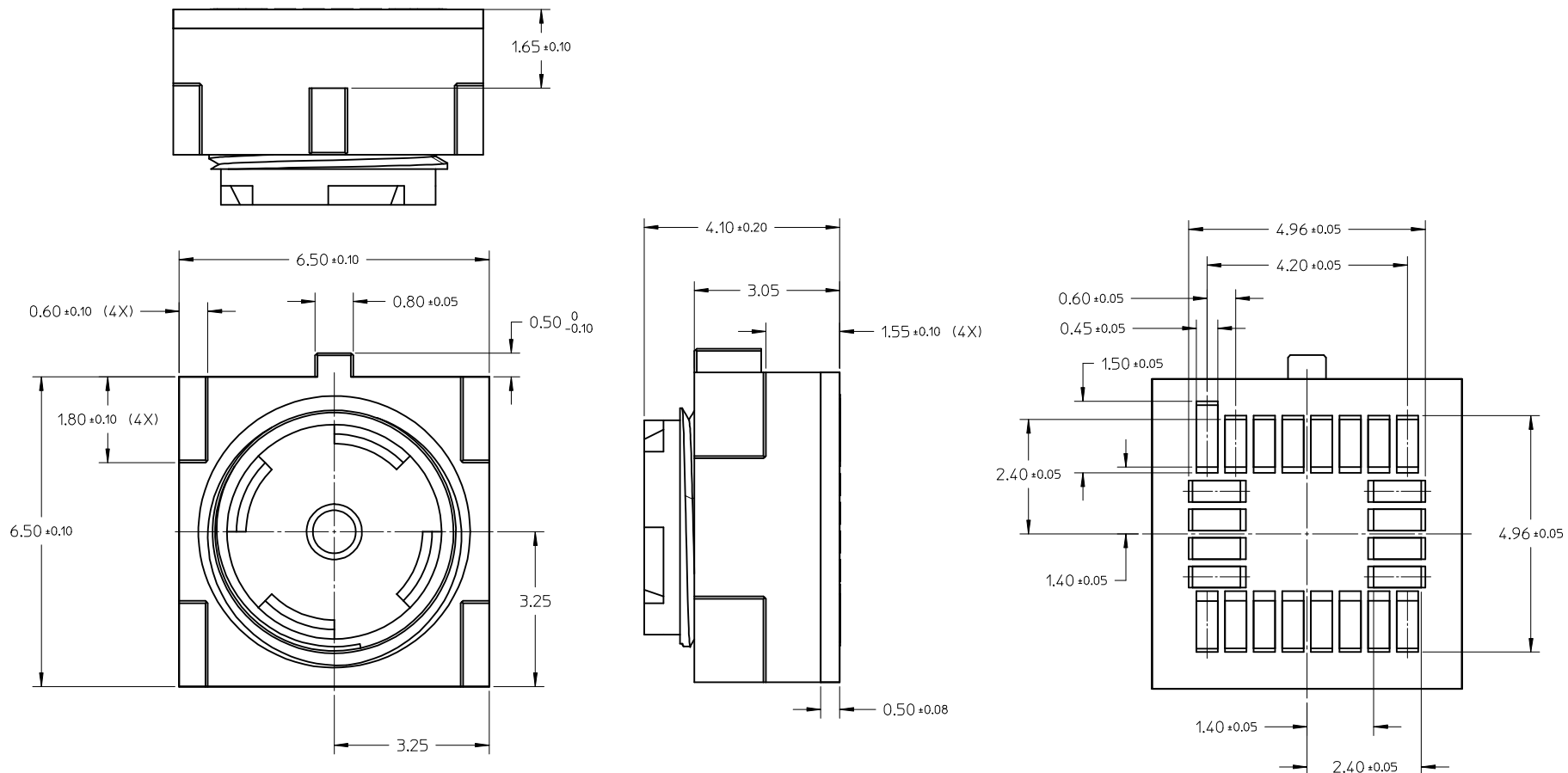
REVISED EC NO: SH2014-0140 DRWN: YXZHENG CHKD: AYIN APPR: AYIN 2013/07/17 2013/07/17 2013/10/24	QUALITY SYMBOLS	GENERAL TOLERANCES (UNLESS SPECIFIED)	DIMENSION STYLE	SCALE	DESIGN UNITS	THIRD ANGLE PROJECTION															
	$\nabla_A = 0$ $\nabla_C = 0$ $\nabla_P = 0$	<table border="1"> <thead> <tr> <th></th> <th>mm</th> <th>INCH</th> </tr> </thead> <tbody> <tr> <td>4 PLACES</td> <td>± ---</td> <td>± ---</td> </tr> <tr> <td>3 PLACES</td> <td>± ---</td> <td>± ---</td> </tr> <tr> <td>2 PLACES</td> <td>± 0.15</td> <td>± ---</td> </tr> <tr> <td>1 PLACE</td> <td>± ---</td> <td>± ---</td> </tr> </tbody> </table>		mm	INCH	4 PLACES	± ---	± ---	3 PLACES	± ---	± ---	2 PLACES	± 0.15	± ---	1 PLACE	± ---	± ---	MM ONLY	NTS	METRIC	
		mm	INCH																		
	4 PLACES	± ---	± ---																		
3 PLACES	± ---	± ---																			
2 PLACES	± 0.15	± ---																			
1 PLACE	± ---	± ---																			
DESCRIPTION	DRAWN BY: CMTEO CHECKED BY: CGTAN APPROVED BY: SHLENI DATE: 2009/03/31 DATE: 2009/06/30 DATE: 2010/05/21	TITLE	6.5*6.5 CAMERA SOCKET SMT BOTTOM CONTACT TYPE																		
A3 DRAFT WHERE APPLICABLE MUST REMAIN WITHIN DIMENSIONS	SEE TABLE	MATERIAL NO. SEE TABLE	MOLEX INCORPORATED DOCUMENT NO. SD-78499-001	SHEET NO. 2 OF 4																	

RECOMMENDED PCB LAYOUT



REVISED EC NO: SH2014-0140 DRWN: YXZHENG CHKD: AYIN APPR: AYIN 2013/07/17 2013/07/17 2013/10/24	QUALITY SYMBOLS	GENERAL TOLERANCES (UNLESS SPECIFIED)		DIMENSION STYLE	SCALE	DESIGN UNITS	THIRD ANGLE PROJECTION
	$F_A=0$ $F_G=0$ $F_P=0$	mm	INCH	MM ONLY	NTS	METRIC	
	4 PLACES	± ---	± ---	DRAWN BY	DATE	TITLE	
	3 PLACES	± ---	± ---	CMTEO	2009/03/31	6.5*6.5 CAMERA SOCKET SMT BOTTOM CONTACT TYPE	
	2 PLACES	± 0.15	± ---	CHECKED BY	DATE		
	1 PLACE	± ---	± ---	CGTAN	2009/06/30		
	ANGULAR ± 1 °		APPROVED BY	DATE	MOLEX INCORPORATED		
	DRAFT WHERE APPLICABLE MUST REMAIN WITHIN DIMENSIONS		SHLENI	2010/05/21	DOCUMENT NO.		SHEET NO.
A3			SEE TABLE	SD-78499-001		3 OF 4	
			SIZE	THIS DRAWING CONTAINS INFORMATION THAT IS PROPRIETARY TO MOLEX INCORPORATED AND SHOULD NOT BE USED WITHOUT WRITTEN PERMISSION			
			A3				

APPLICABLE CAMERA MODULE



REVISED EC NO: SH2014-0140 DRWN: YXZHENG CHKD: AYIN APPR: AYIN 2013/07/17 2013/07/17 2013/10/24	QUALITY SYMBOLS	GENERAL TOLERANCES (UNLESS SPECIFIED)		DIMENSION STYLE		SCALE	DESIGN UNITS	THIRD ANGLE PROJECTION	
	$F_A=0$	mm	INCH	MM ONLY		NTS	METRIC		
	$F_C=0$	4 PLACES	± ---	± ---	DRAWN BY	DATE	TITLE		
	$F_P=0$	3 PLACES	± ---	± ---	CMTEO	2009/03/31	6.5*6.5 CAMERA SOCKET SMT BOTTOM CONTACT TYPE		
	2 PLACES	± 0.15	± ---	CHECKED BY	DATE	MOLEX INCORPORATED			
	1 PLACE	± ---	± ---	CGTAN	2009/06/30	DOCUMENT NO.			
	ANGULAR ± 1°		APPROVED BY		DATE	SD-78499-001			
	DRAFT WHERE APPLICABLE MUST REMAIN WITHIN DIMENSIONS		SHLENI		2010/05/21	SHEET NO.			
			MATERIAL NO.		SEE TABLE		4 OF 4		
			SIZE		THIS DRAWING CONTAINS INFORMATION THAT IS PROPRIETARY TO MOLEX INCORPORATED AND SHOULD NOT BE USED WITHOUT WRITTEN PERMISSION				
			A3						