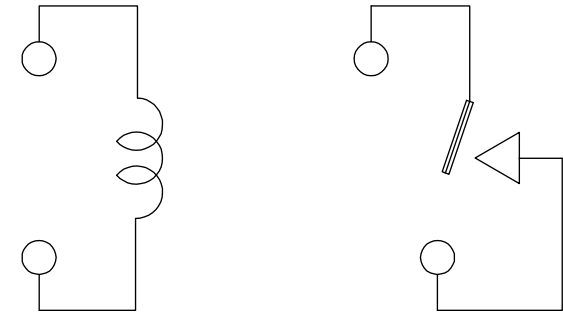
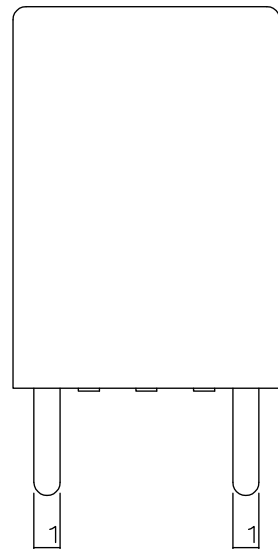
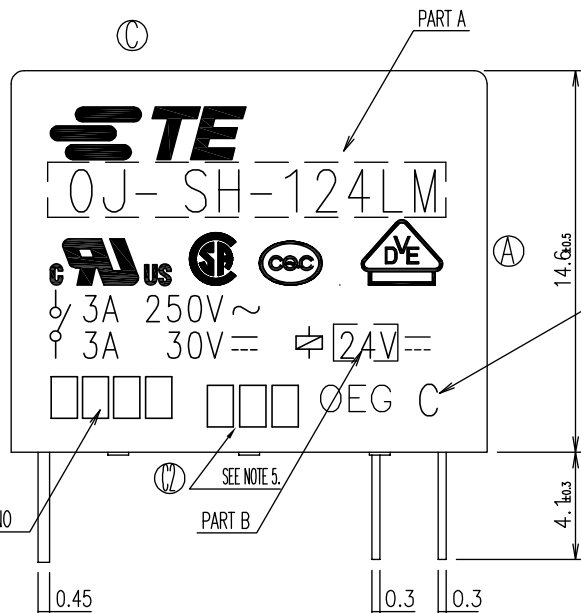
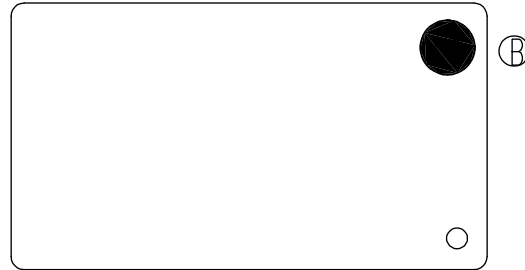


THIS DRAWING IS UNPUBLISHED. RELEASED FOR PUBLICATION
 © COPYRIGHT - By - TE CONNECTIVITY ALL RIGHTS RESERVED.

| LOC | DIST | REVISIONS | | | | | |
|-----|------|-----------|-----|--|-----------|------|------|
| | | P | LTR | DESCRIPTION | DATE | DWN | APVD |
| HB | - | | C2 | CHANGE LOGO&ADD LINE IDENTIFICATION ECO-12-00177 | 22Aug2012 | YS.H | BH.Y |



CONNECTION FIGURE

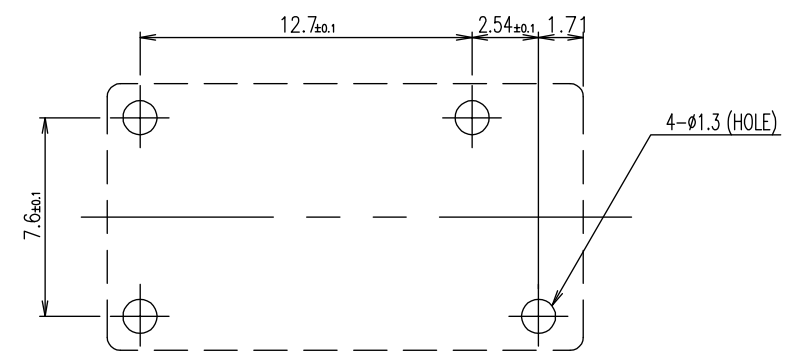
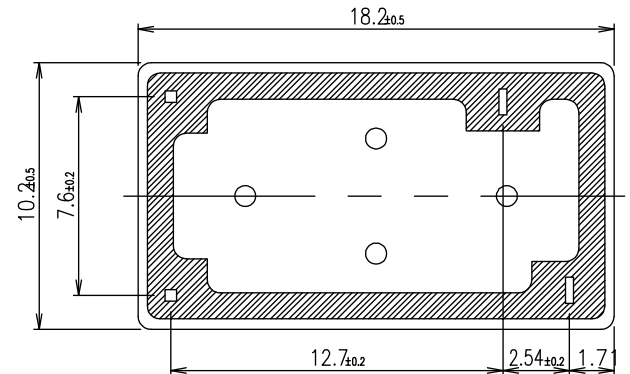


FIGURE FOR PRINTED CIRCUIT BOARD PROCESSING (BOTTOM VIEW)



| | | | | | |
|--|--|------------------|------------------------------------|-----------------|--------------------|
| THIS DRAWING IS A CONTROLLED DOCUMENT. | | DWN H.Sasaki | TE Connectivity | | |
| DIMENSIONS: mm | | CHK Y.Oikawa | | | |
| TOLERANCES UNLESS OTHERWISE SPECIFIED: | | APVD A.Nagai | OJ-SH-LM SPEC,000 CUSTOMER DRAWING | | |
| 0 PLC ± - | | PRODUCT SPEC | - | | |
| 1 PLC ± - | | APPLICATION SPEC | - | | |
| 2 PLC ± - | | WEIGHT | SIZE A3 | CAGE CODE 00779 | DRAWING NO 1461404 |
| 3 PLC ± - | | MATERIAL | RESTRICTED TO | | - |
| 4 PLC ± - | | | SCALE 5:1 | | SHEET 1 of 2 |
| ANGLES ± - | | CUSTOMER DRAWING | | | |

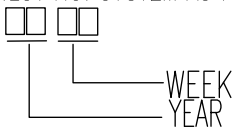
THIS DRAWING IS UNPUBLISHED. RELEASED FOR PUBLICATION
 © COPYRIGHT - By - TE CONNECTIVITY ALL RIGHTS RESERVED.

| LOC | DIST | REVISIONS | | | | | |
|-----|------|-----------|-----|-------------|------|-----|------|
| HB | - | P | LTR | DESCRIPTION | DATE | DWN | APVD |
| | | - | | SEE SHEET 1 | - | - | - |

| | | | | | | |
|-------------|-----------------------------|---------------------------|---------------|--------|-------------|------|
| ACTIVE | 1461404-4 | OJ-SH-124LM, 000 | 107-79010 | 24V | OJ-SH-124LM | f |
| ACTIVE | 1461404-6 | OJ-SH-112LM, 000 | 107-79010 | 12V | OJ-SH-112LM | e |
| OBSOLETE | 1461404-3 | OJ-SH-109LM, 000 | 107-79010 | 9V | OJ-SH-109LM | d |
| OBSOLETE | 1461404-2 | OJ-SH-106LM, 000 | 107-79010 | 6V | OJ-SH-106LM | c |
| ACTIVE | 1461404-1 | OJ-SH-105LM, 000 | 107-79010 | 5V | OJ-SH-105LM | b |
| OBSOLETE | 1461404-5 | OJ-SH-103LM, 000 | 107-79010 | 3V | OJ-SH-103LM | a |
| PART STATUS | TE CONNECTIVITY PART NUMBER | TE CONNECTIVITY TYPE NAME | PACKAGE SPEC, | PART B | PART A | TYPE |

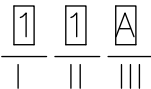
RELAY TYPE

ⒸⒶ NOTE:
 1.LOT NO. SYSTEM AS FOLLOWING:



- Ⓒ 2.TERMINAL DIMENSION IS BEFORE SOLDER DIP;
- Ⓒ 3.FOR THE TIN-PLATING OF THE PINS:
 +0.1mm FOR WIDTH, THICKNESS AND DIAMETER.
 +0.5mm FOR LENGTH.
- Ⓒ 4.MARKING FROM INK TO LASER.

Ⓒ 5.ADD LOT NO. SYSTEM AS FOLLOWING;



- I, DIGITS FOR DAY OF THE WEEK
 1...MONDAY IN THIS WEEK;
 2...TUESDAY IN THIS WEEK;

 7...SUNDAY IN THIS WEEK
- II, DIGITS FOR SHIFT OF THE DAY
 1...DAY SHIFT IN THIS DAY;
 2...NIGHT SHIFT IN THIS DAY;
- III, ONE CHARACTER DISTINGUISH THE LINE IDENTITY, SUCH AS: A,B.....Z

| | | | | |
|------------------|------------|-------------|----------------------|------|
| | | UV RESIN | SEAL (VENT HOLE) | 16 |
| | | EPOXY RESIN | SEAL (BASE & BOBBIN) | 15 |
| | | 3UEW | MAGNETIC WIRE | 14 |
| 94V-0 | | P.B.T | CASE | 13 |
| 94V-0 | | P.B.T | BASE | 12 |
| 94V-0 | | P.B.T | BOBBIN | 11 |
| | SOLDER DIP | C.P WIRE | COIL TERMINAL | 10 |
| 94V-0 | | P.P.S | CARD | 9 |
| | | Ag | MOVABLE CONTACT | 8 |
| | | Ag | NO.CONTACT | 7 |
| | | STEEL | HINGE SPRING | 6 |
| | SOLDER DIP | Cu ALLOY | NO.TERMINAL | 5 |
| | SOLDER DIP | Cu ALLOY | MOVABLE SPRING | 4 |
| | NIP | STEEL | CORE | 3 |
| | NIP | STEEL | ARMATURE | 2 |
| | NIP | STEEL | YOKE | 1 |
| INCOMBUSTIBILITY | TREATMENT | MATERIAL | DESCRIPTION | ITEM |

| | | | | |
|--|--|------------------|----------|--|
| THIS DRAWING IS A CONTROLLED DOCUMENT. | | DWN | H.Sasaki | |
| DIMENSIONS: mm | | CHK | Y.Oikawa | |
| TOLERANCES UNLESS OTHERWISE SPECIFIED: | | APVD | A.Nagai | |
| 0 PLC ± - | | PRODUCT SPEC | - | |
| 1 PLC ± - | | APPLICATION SPEC | - | |
| 2 PLC ± - | | WEIGHT | - | |
| 3 PLC ± - | | CUSTOMER DRAWING | - | |
| 4 PLC ± - | | SCALE | 5:1 | |
| ANGLES ± - | | SHEET | 2 of 2 | |
| FINISH - | | REV | C2 | |

TE Connectivity

OJ-SH-LM SPEC,000 CUSTOMER DRAWING

SIZE: A3 CAGE CODE: 00779 DRAWING NO: 1461404 RESTRICTED TO: -