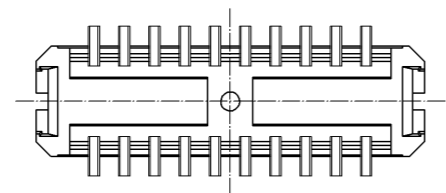
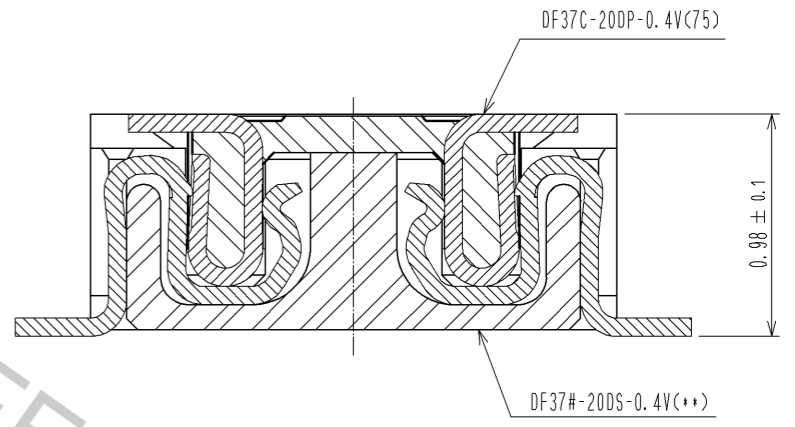


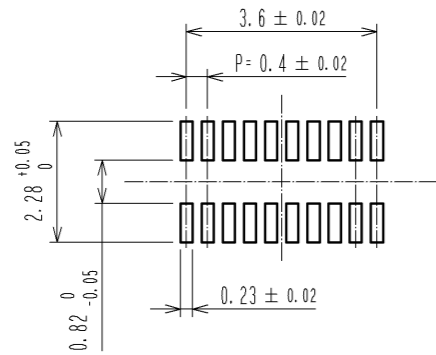
ENGAGEMENT FIGURE (FREE SIZE)



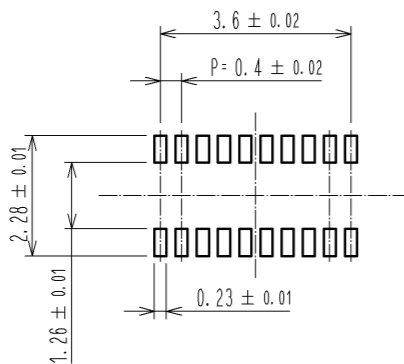
NOTE 1. ALL LEADS CO-PLANARITY SHALL BE 0.1 mm MAX.
 2 A PART OF THE WALL COULD BE NOTCHED.
 3 CONTACT PLATING SPECIFICATIONS.
 CONTACT AREA : GOLD 0.1 μm MIN
 SMT LEAD : GOLD 0.05 μm MIN
 UNDER PLATING : NICKEL 1 μm MIN
 (SURFACE : SEALING)

3	PS	CLEAR, EMBOSSED CARRIER TAPE	6	PS	CLEAR, REINFORCING COLLAR			
2	PHOSPHOR BRONZE	3	5	PS	BLACK, PLASTIC REEL			
1	LCP	BLACK, UL94V-0	4	POLYESTER	CLEAR, COVER TAPE			
NO.	MATERIAL	FINISH, REMARKS	NO.	MATERIAL	FINISH, REMARKS			
UNITS	mm	SCALE	FREE	COUNT	DESCRIPTION OF REVISIONS	DESIGNED	CHECKED	DATE
HIROSE ELECTRIC CO., LTD.		APPROVED	: KH. IKEDA	14.02.18	DRAWING NO.	EDC3-308599-04		
		CHECKED	: YH. MICHIDA	14.02.18	PART NO.	DF37C-20DP-0.4V(75)		
		DESIGNED	: SH. HOSODA	14.02.18	CODE NO.	CL684-3024-8-75		
		DRAWN	: KR. AJITO	14.02.18				
								1/3

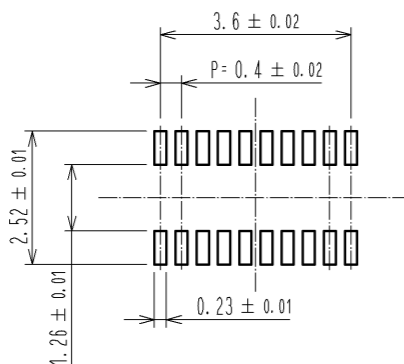
◆ RECOMMENDED PCB LAYOUT (MOUNTING SURFACE SIDE)



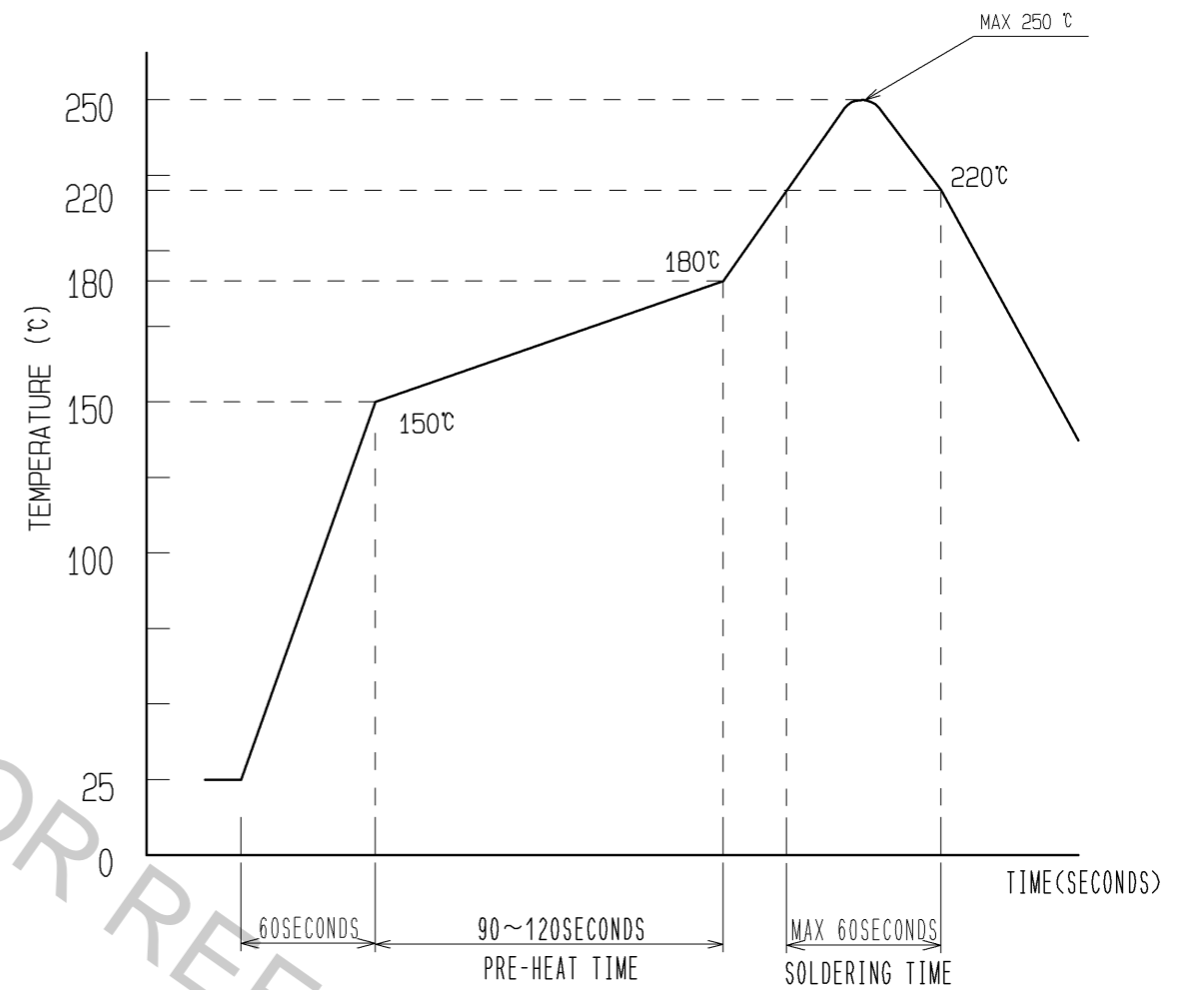
◆ RECOMMENDED METAL MASK DIMENSIONS
METAL MASK THICKNESS : 0.12mm



◆ RECOMMENDED METAL MASK DIMENSIONS
METAL MASK THICKNESS : 0.1mm



4 RECOMMENDED REFLOW TEMPERATURE PROFILE USING LEAD-FREE SOLDER PASTE.

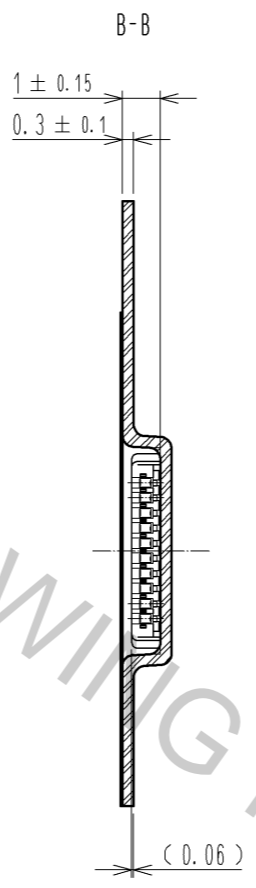
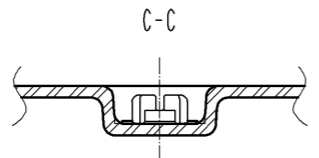
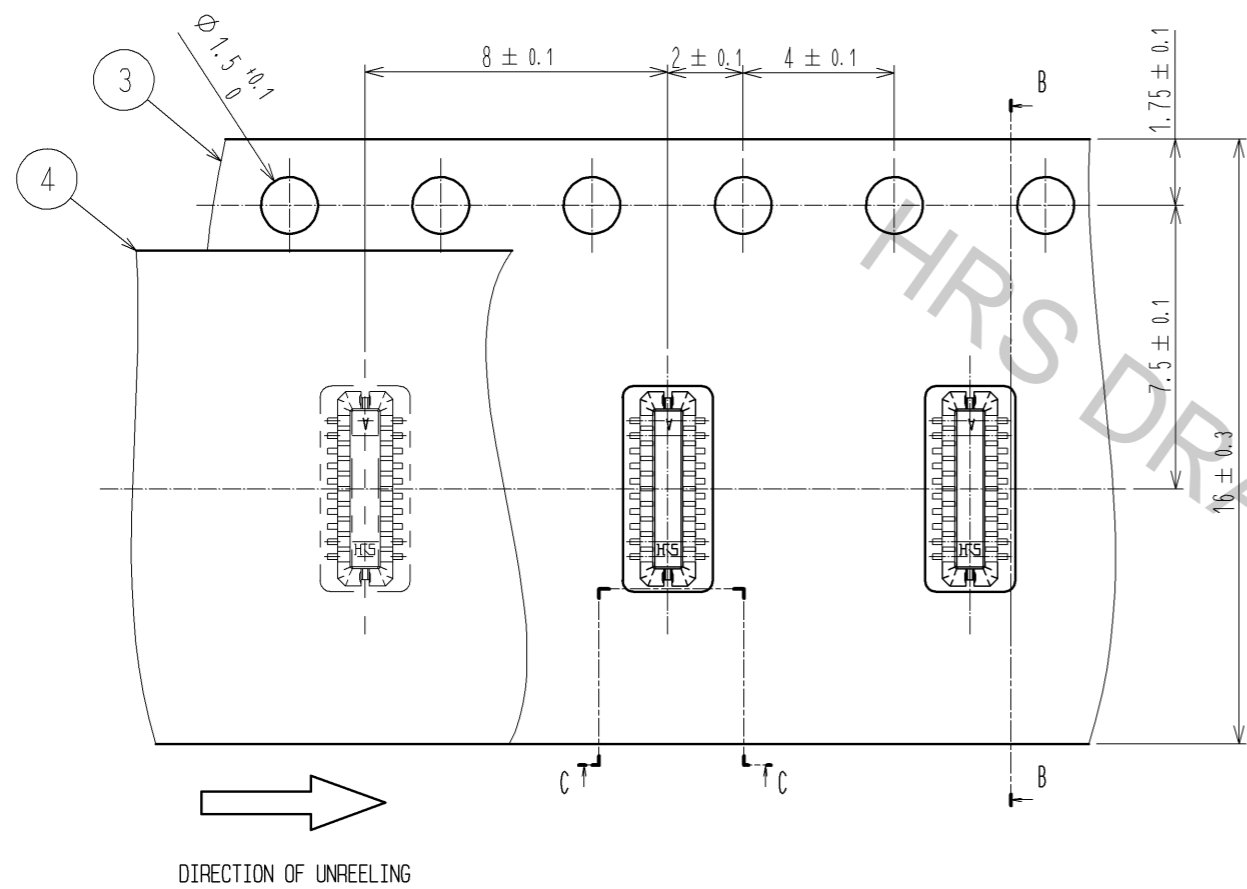


- 1) REFLOW TIME
REFLOW METHOD: IR REFLOW
NUMBER OF REFLOW CYCLES: 2 CYCLES MAX.
DURATION ABOVE 220 °C, 60 SEC. MAX.
(PEAK TEMPERATURE: 250°C MAX.)
- 2) PRE-HEAT TIME
PRE-HEAT TEMPERATURE(MIN) : 150 °C
PRE-HEAT TEMPERATURE(MAX) : 180 °C
PRE-HEAT TIME : 90~120 sec.

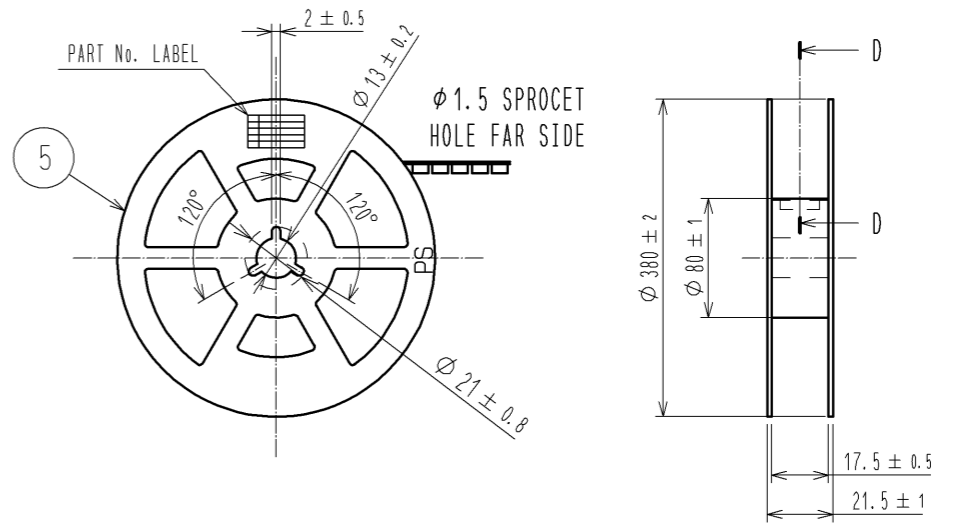
4 THIS TEMPERATURE PROFILE IS PER THE CONDITIONS SHOWN ABOVE. ADDITIONAL FACTORS, SUCH AS SOLDER PASTE TYPE, PCB SIZE AND OTHER MOUNTED COMPONENTS COULD AFFECT THE PROFILE. THEREFORE, A THOROUGH EVALUATION OF MOUNTING CONDITION IS REQUIRED PRIOR TO PRODUCTION. TEMPERATURE IS MEASURED AT CONTACT LEAD.

HRS	DRAWING NO.	EDC3-308599-04
	PART NO.	DF37C-20DP-0.4V(75)
	CODE NO.	CL684-3024-8-75
		2/3

EMBOSED CARRIER TAPE PACKAGING (5:1)

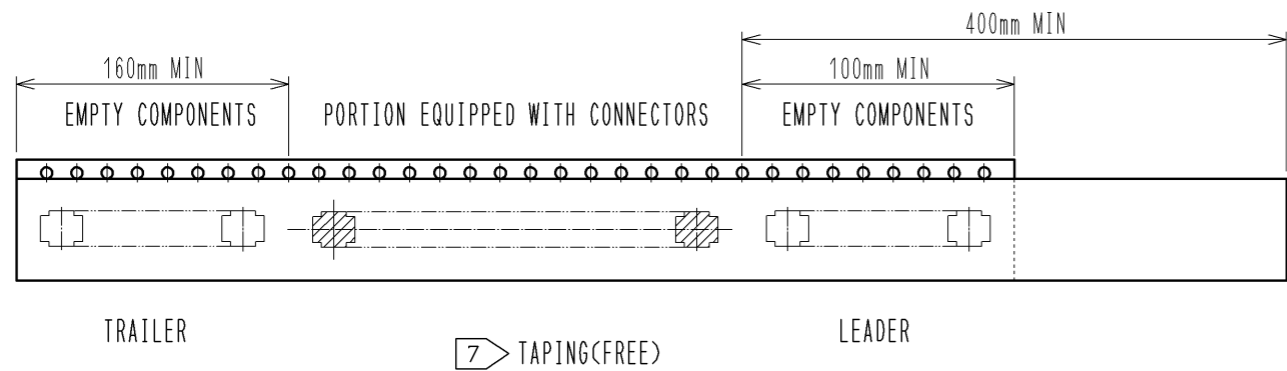
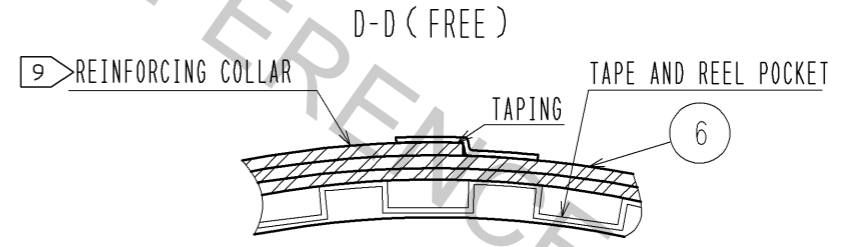


STYLE AND DIMENSION OF REEL (FREE SIZE)



DETAIL OF PART No. LABEL

SUPPLIER	
QUANTITY	
PART NO.	
CODE NO.	
DATE OF MANUFACTURED	
製造年月日	年 月 日
製品コード	CL684-3024-8-75
製品名	DF37C-20DP-0.4V(75)
数量	8000個
納入者	ヒロセ電機(株)



- NOTES
5. PER REEL 8000 CONNECTORS.
 6. THE DIMENSIONS IN PARENTHESES ARE FOR REFERENCE.
 7. REFER TO JIS C 0806(IEC 60286-3)(PACKING OF COMPONENTS FOR AUTOMATIC HANDLING)
 8. DETAIL OF PART NO. LABEL IS WRITTEN IN JAPANESE.
 9. AFTER FINISHING THE REELING, COVER THE SURFACE WITH 2 METERS OF REINFORCING COLLAR AND THE DOWN AT THE END.

HRS	DRAWING NO.	EDC3-308599-04
	PART NO.	DF37C-20DP-0.4V(75)
	CODE NO.	CL684-3024-8-75
		△ 3/3