

1. 製品名称／PRODUCT NAME : 2.0 mm PITCH W/B CONN. SMT REC. HOUSING

製品番号／PART NUMBER : 5 0 5 5 7 0 * * 0 ☆

(** は極数を示し、☆は色を示す。詳細は図面参照。)

(** IS CIRCUITS SIZE、☆ IS COLOR. REFER TO THE DRAWING.)

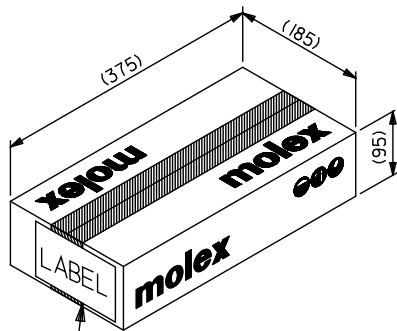
2. 標準梱包数／STANDARD PACKAGING QUANTITY

極 数 CKT. SIZE	ポリ袋 POLY BAG	内装カートン PRIMARY CARTON		外装カートン SHIPPING CARTON
	1袋中の製品数 QUANTITY IN ONE BAG	ポリ袋の数 NUMBER OF POLY BAG	製品数 QUANTITY	製品数(内装カートン×4) QUANTITY (PRIMARY CARTON X4)
2	500	8	4,000	16,000
3	500	6	3,000	12,000
4	500	6	3,000	12,000
5	500	4	2,000	8,000
6	200	8	1,600	6,400
7	200	8	1,600	6,400
8	200	8	1,600	6,400
9	200	8	1,600	6,400
10	200	6	1,200	4,800
11	200	4	800	3,200
12	200	4	800	3,200
13	200	4	800	3,200
14	200	4	800	3,200
15	200	4	800	3,200
16	200	4	800	3,200

REV.	D		
SHEET	1~2		
REVISE ON PC ONLY		TITLE:	
D	REVISED 115827 2017/04/20 Y.TOKUZONO		5 0 5 5 7 0 梱包仕様書 SALES PACKAGING SPEC. FOR 505570
	REV. DESCRIPTION		THIS DOCUMENT CONTAINS INFORMATION THAT IS PROPRIETARY TO MOLEX ELECTRONIC TECHNOLOGIES, LLC AND SHOULD NOT BE USED WITHOUT WRITTEN PERMISSION
DESIGN CONTROL	STATUS	WRITTEN BY:	CHECKED BY:
J		YTOKUZONO	T.HARUYAMA
		APPROVED BY:	DATE:
		Y. ITO	2016/04/01

DOCUMENT NUMBER 5055709200	DOC. TYPE PS	DOC. PART 200	CUSTOMER GENERAL	SHEET 1 OF 2
-------------------------------	-----------------	------------------	---------------------	-----------------

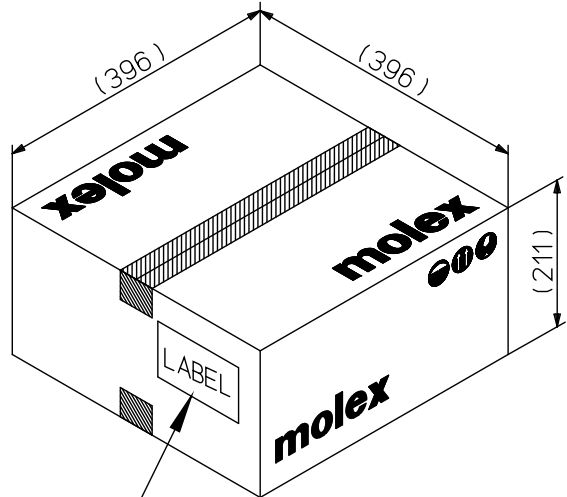
3. カートン外形参考寸法 / CARTON OUTER DIMENSIONS (REFERENCE PURPOSE ONLY) 単位 / UNIT: mm



カートンラベル
CARTON LABEL

(製品型番, 数量, ロットNO. 表示)
INDICATION OF PART No., QUANTITY, LOT No.

内装カートン
PRIMARY CARTON



カートンラベル
CARTON LABEL

(製品型番, 数量, ロットNO. 表示)
INDICATION OF PART No., QUANTITY, LOT No.

外装カートン
SHIPPING CARTON

D	REVISE ON PC ONLY	TITLE: 5 0 5 5 7 0 梱包仕様書 SALES PACKAGING SPEC. FOR 505570			
	SEE SHEET 1 OF 2				
REV.	DESCRIPTION	THIS DOCUMENT CONTAINS INFORMATION THAT IS PROPRIETARY TO MOLEX ELECTRONIC TECHNOLOGIES, LLC AND SHOULD NOT BE USED WITHOUT WRITTEN PERMISSION			
DOCUMENT NUMBER 5055709200		DOC. TYPE PS	DOC. PART 200	CUSTOMER GENERAL	SHEET 2 OF 2