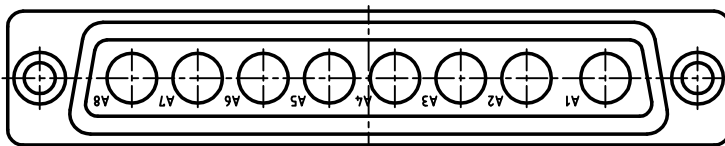
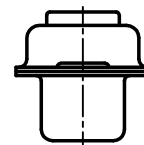
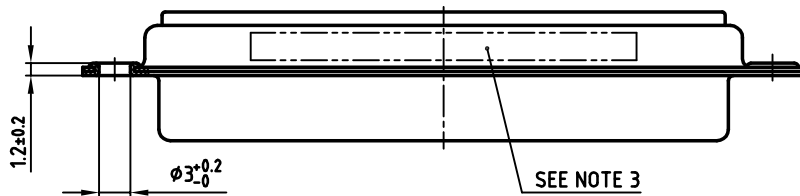
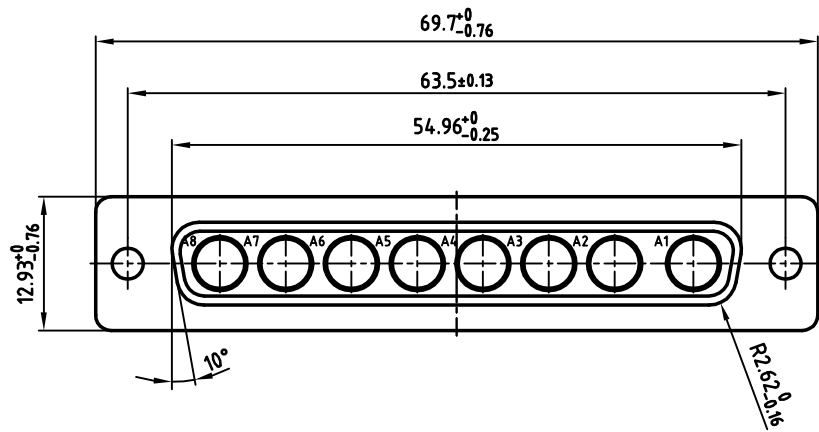
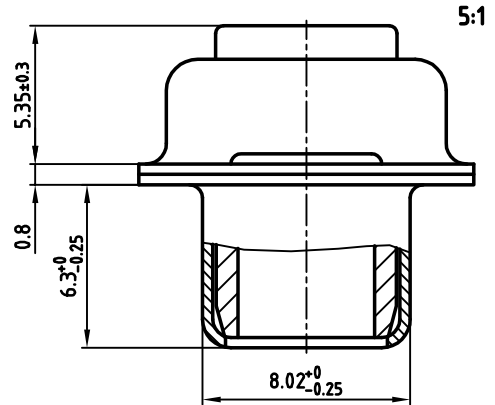


used for: D-SUB COMBINATION



**(b) NOTES:**

1. METALSHELLS: STEEL; min. 315µm TIN over 40-80µm NICKEL
2. INSULATORS: PBT GF UL 94 V-0; GREEN
3. CONNECTOR IS PART MARKED: PART NO: CONEC ABC

Directive 2002/95/EC  
„RoHS“  
Compliant

THIS DRAWING MAY NOT BE COPIED OR REPRODUCED IN ANY WAY, AND MAY NOT BE PASSED ON TO A THIRD PARTY, WITHOUT WRITTEN PERMISSION. OWNERSHIP AND COPYRIGHT OF CONEC GmbH DO NOT ALTER CAD DRAWING BY HAND

1 x b	Ä 2849	26.10.2007	Petker						
a	Origin								
rev.	description	date	name						

tolerance

1997	date	name
drawn	29.07.	Barcinski
appd.	29.07.	Mickenbecker
norm		
d-old		

CONEC®

scale:	2:1 ( 5:1)
material:	SEE NOTES
title:	<b>D-SUB COMBINATION FEMALE</b> 8W8S
dwg no:	AutoCAD/REL.13 DIN-A
	<b>16K11BKA</b>
	3 sh: 1/1
part no:	<b>3008W8SXX99A10X</b>