

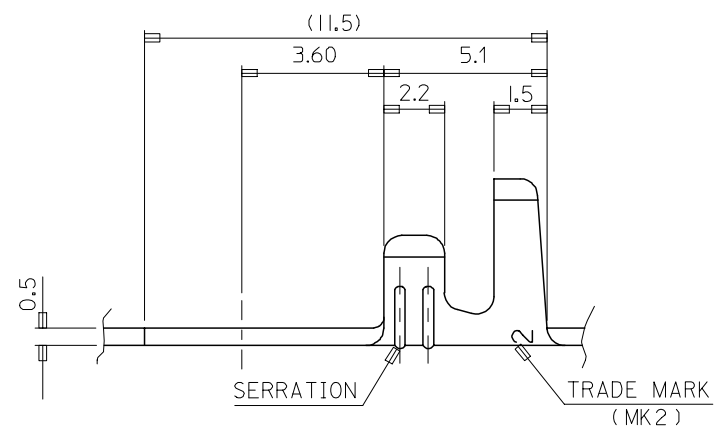
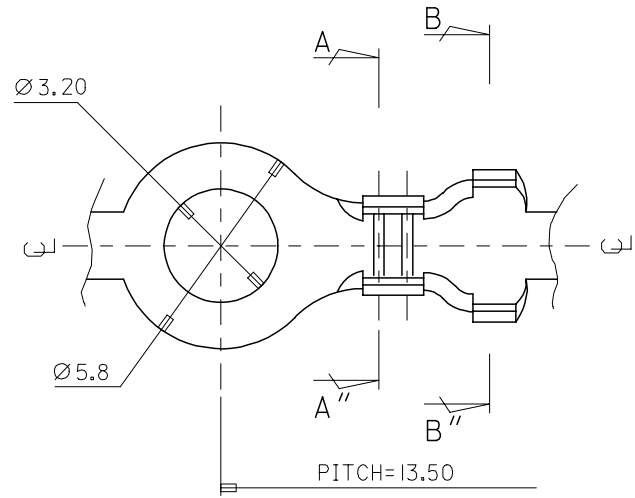
DWG. NO.
SD-35750-005

SIMILAR ITEM

PROJECT NO.

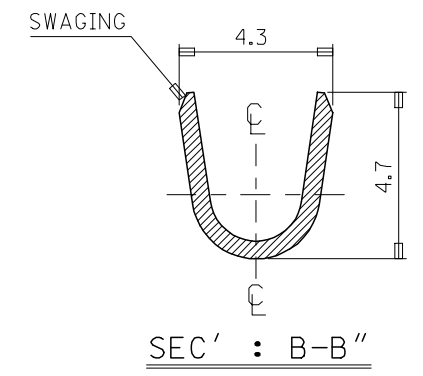
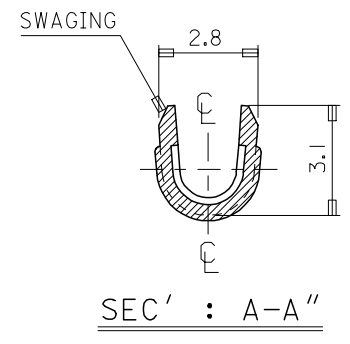
B

DO NOT SCALE DRAWING
DIMENSION IN METRIC



NOTES

1. MATERIAL : BRASS, 0.5mm THICKNESS
2. FINISH : 35750-0500 : UNPLATED
35750-0510 : POST PLATED TIN
35750-0560 : POST PLATED TIN (LEAD FREE)
3. RECOMMENDED LENGTH OF WIRE STRIP IS 2.9-3.4mm.
4. APPLICABLE WIRE RANGE : AWG#20 - #16



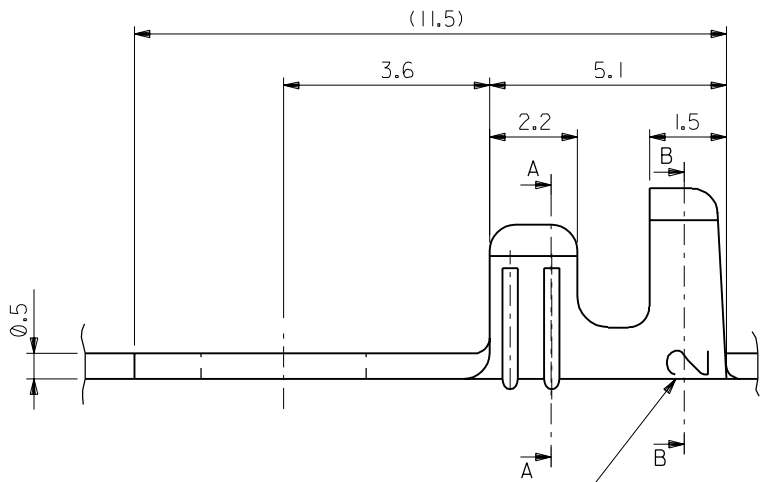
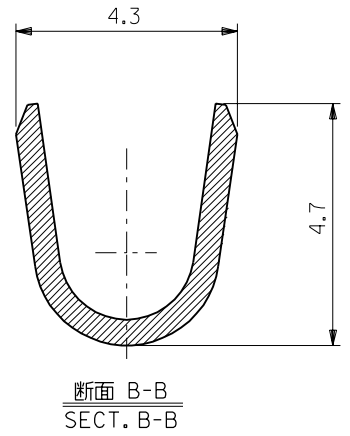
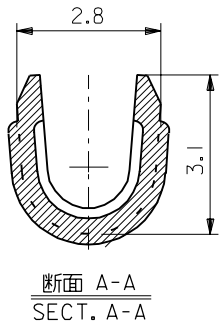
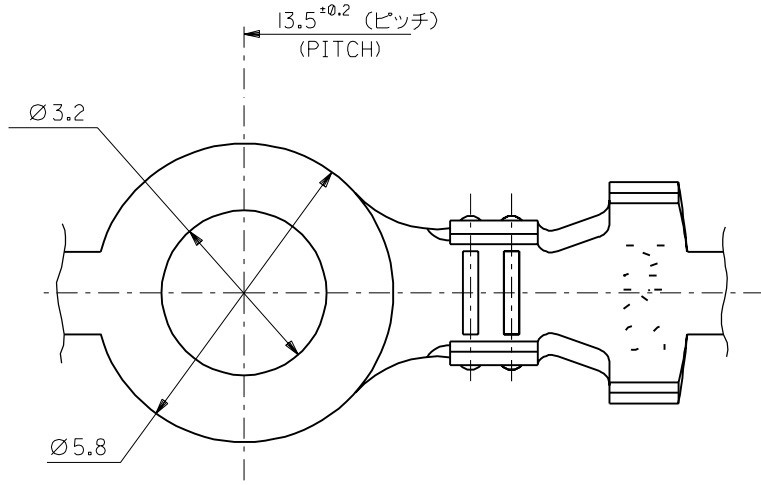
REVISED (REDRAWN) ECN NO. KOR 2006-0109 DRWN: J.B.JIN 06/03/06 CHK: W.Y.YANG APPR: S.H.CHOI	DESCRIPTION
B	REV

QUALITY SYMBOLS	MAJOR	CRITICAL
	▼	▽

GENERAL TOLERANCES: (UNLESS SPECIFIED)	
	mm INCH
4 PLACES	±0.1 ±-
3 PLACES	±0.1 ±-
2 PLACES	±0.15 ±-
1 PLACE	±0.2 ±-
ANGULAR: ± 1°	
DRAFT WHERE APPLICABLE MUST REMAIN WITHIN DIMENSIONS	

SCALE 7/1	DESIGN UNITS <input checked="" type="checkbox"/> mm <input type="checkbox"/> INCH
DRAWN BY & DATE J.S.KANG 98/01/09	
CHECKED BY & DATE B.K.CHOI 98/01/12	
APPROVED BY & DATE B.K.CHOI 98/01/12	
CAD FILENAME e7500500.dgn	MATERIAL NO. SEE NOTES

DIMENSIONS: <input type="checkbox"/> mm <input type="checkbox"/> INCH <input checked="" type="checkbox"/> mm ONLY		SHT REVISE ON CAD ONLY
THIRD ANGLE PROJECTION		
TITLE: Ø 3.2 RING TERMINAL(132)		
MOLEX INCORPORATED		
DRAWING NO. SD-35750-005	SHEET NO. 1 OF 1	SIZE B



トレードマーク (MK2)
TRADE MARK (MK2)

注記
NOTES

- 1 一般公差 : ±0.3
GENERAL TOLERANCES : ±0.3
 - 2 材料 : 黄銅 , 厚さ 0.5mm
MATERIAL : BRASS , 0.5mm THICKNESS
 - 3 製品番号
ENG.NO.
- | 製品番号
ENG. NO. | メッキ
PLATING | 梱包数
QUANTITY |
|------------------|---------------------------|-----------------|
| 35750-0500 | メッキ無し
NONE | 10000/REEL |
| 35750-0510 | 錫メッキ
TIN PLATING | |
| 35750-0540 | 半田メッキ
TIN-LEAD PLATING | |
- 4 推奨ストリップ長 : 2.9-3.4mm.
RECOMMENDED LENGTH OF WIRE STRIP : 2.9-3.4mm.

材料 MATERIAL	注記参照 SEE NOTES
仕上げ FINISH	注記参照 SEE NOTE
適用電線範囲 WIRE RANGE	AWG:#20-#16 0.5-1.38mm ²
被覆外径 INS. RANGE	—
DRAWN BY '97/2/26 S.MATSUZAKI	CHK'D BY '98/1/19 S.KUNISHI
APP'D BY '98/1/19 M.FUKUSHIMA	尺 度 SCALE —

MOLEX-JAPAN CO.,LTD. 日本モレックス株式会社	
REVISE ONLY ON CAD SYSTEM	
TITLE 名称 Ø 3.2 RING TERMINAL	
DWG. NO. SD-35750-05*0	REV D

角度 ANGLE	±1°
30 以上 OVER	±0.3
10 以上 OVER 30 未満 UNDER	±0.25
10 未満 UNDER	±0.2
一般公差 GENERAL TOLERANCES	

D	変 更 REVISED	(JC80582)	Y.K S.K	'98/1/19
C	新 規 作 成 RELEASED	(JC70772)	S.M Y.M	'97/2/26
記号 LTR	変 更 内 容 REVISION RECORD	DR. CHK.	日 付 DATE	APP'D BY '98/1/19 M.FUKUSHIMA

:MM DIMENSIONS IN METRIC DO NOT SCALE DRAWING