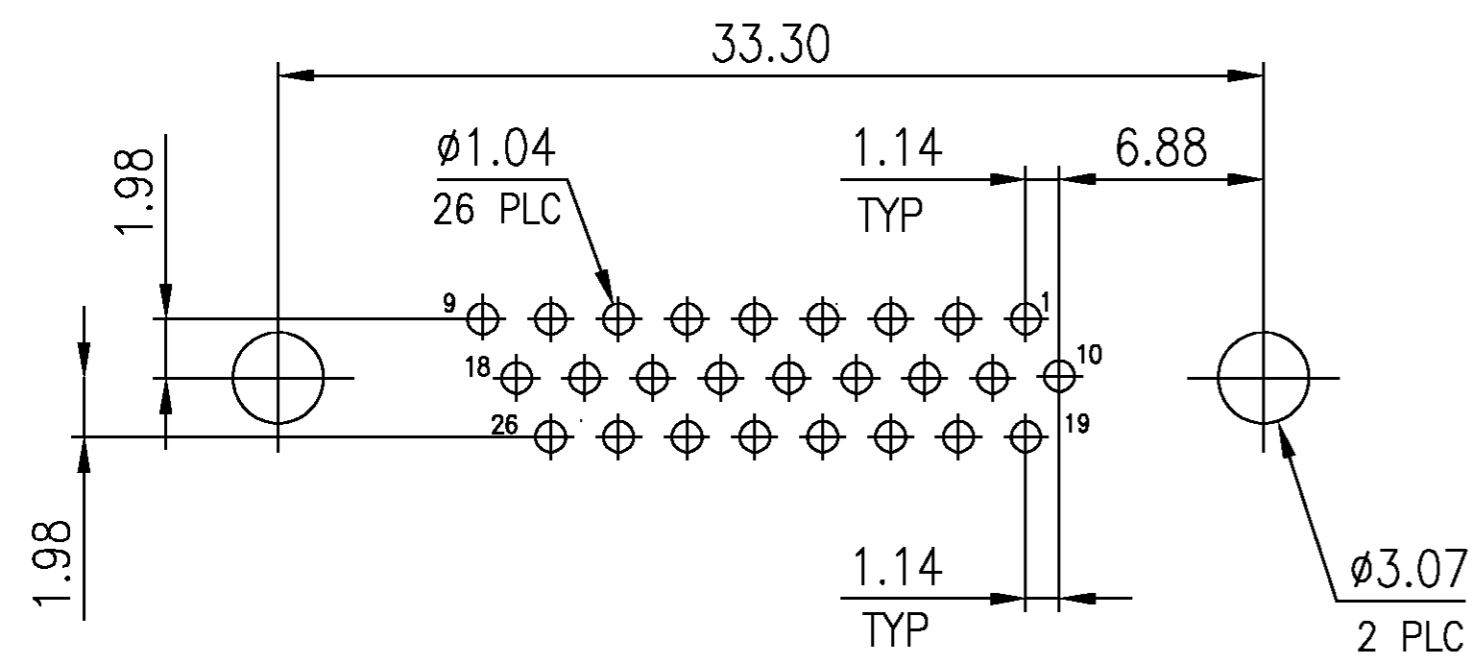
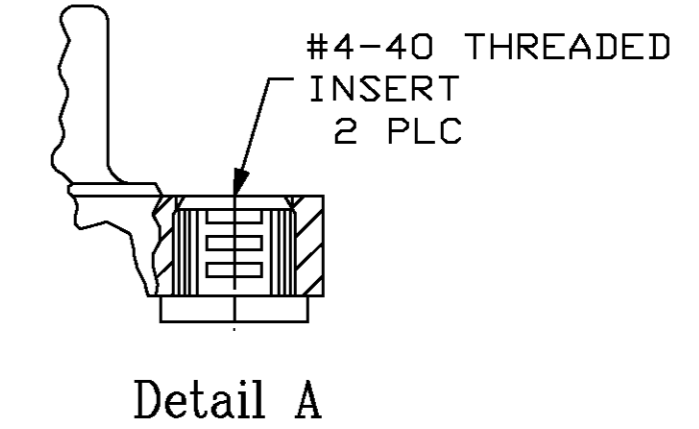
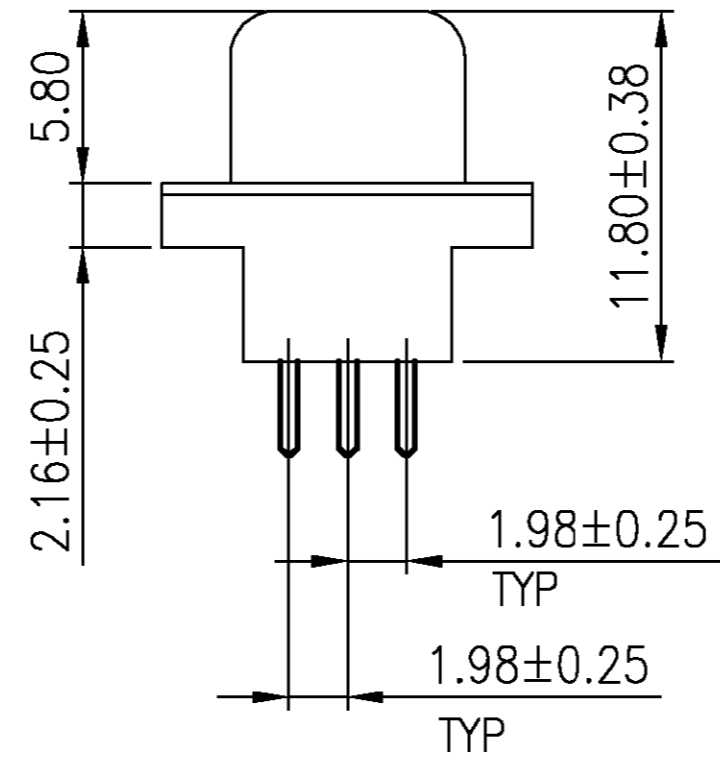
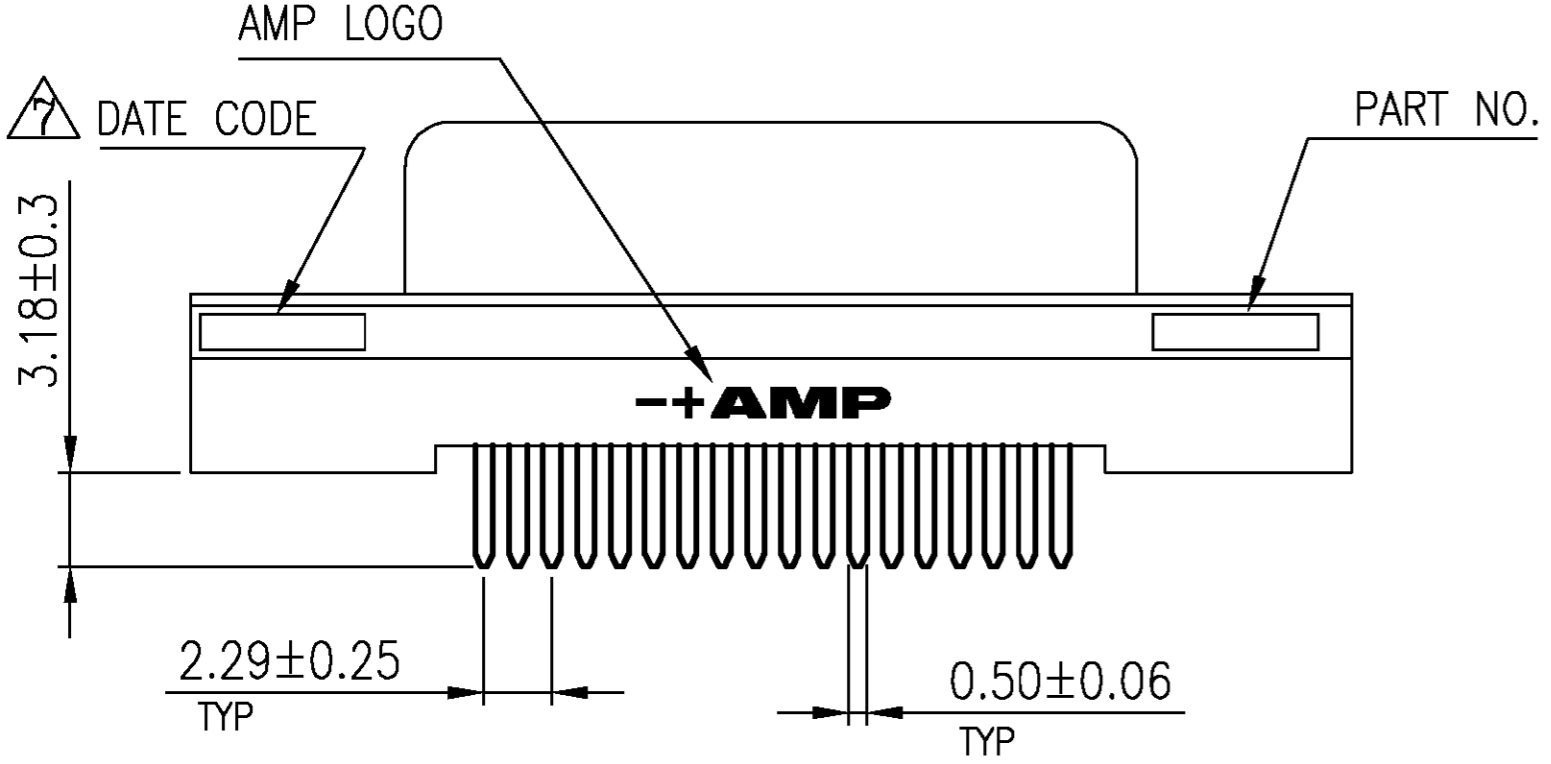
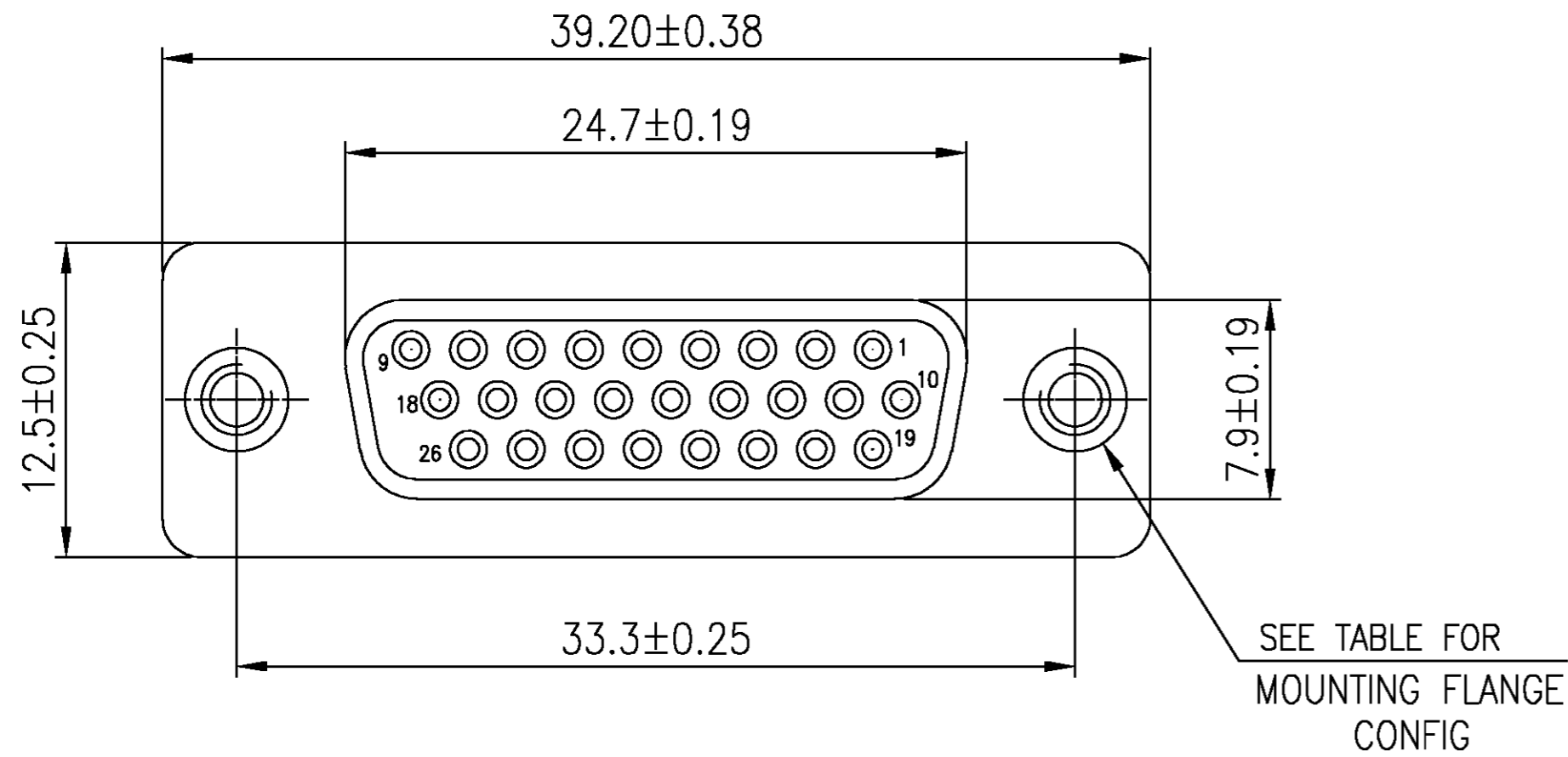


LOC	DIST	REVISIONS			
P	LTR	DESCRIPTION	DATE	DWN	APVD
GP	0				
C		REVISED PER OS13-0092-02	08JULY02	JB	CC

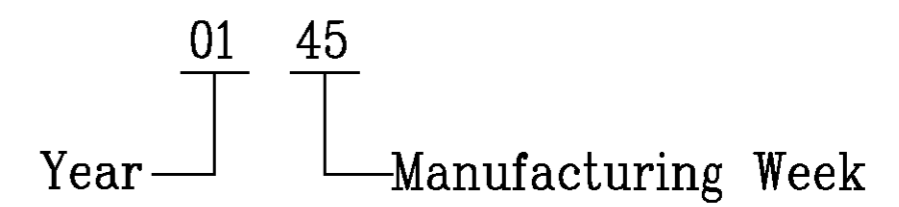


MATERIAL:

- Housing: PBT, 30% G.F polyester, Black. (UL 94V-0 Rated)
- Contact: Phos. Bronze.
- Contact Plated: Gold plated over 50u" Nickel underplated.
- Solder Tail: Sn/Pb plated 120u" over 50u" Nickel underplated.
- Shell: Steel, Nickel plated.
- Rivet: Brass, Nickel plated 30u" Min.



Four digit date code in this format.



Tray	Detail A	Gold flash	1-749030-0
Tray	Detail A	15 μ"	749030-9
Tray	Detail A	30 μ"	749030-1
Packaging	Mounting Flange Config	Contact Finish	AMP Part NO.

THIS DRAWING IS A CONTROLLED DOCUMENT.		DWN: J.BURWELL CHK: C.CASH	08JULY02 08JULY02	Tyco Electronics Corporation City, State, Zip	
DIMENSIONS: MM 		TOLERANCES UNLESS OTHERWISE SPECIFIED: 0 PLC ± - 1 PLC ± 0.30 2 PLC ± 0.20 3 PLC ± 0.10 4 PLC ± - ANGLES ± ° FINISH		NAME: AMPLIMITE HD-22 26 POS RECEPTACLE, VERTICAL	
MATERIAL: -		WEIGHT: -		SIZE: A2	CAGE CODE: 00779
CUSTOMER DRAWING		DRAWING NO: 749030		RESTRICTED TO: -	SCALE: 1:1
		SHEET 1 OF 1		REV C	

RECOMMENDED PCB LAYOUT