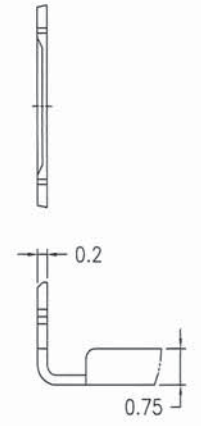
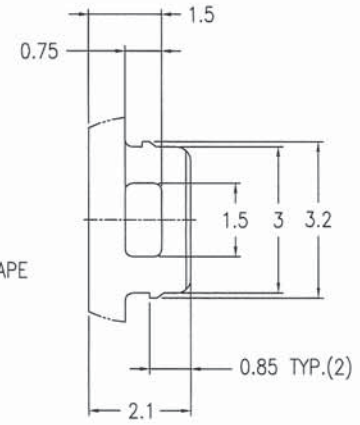
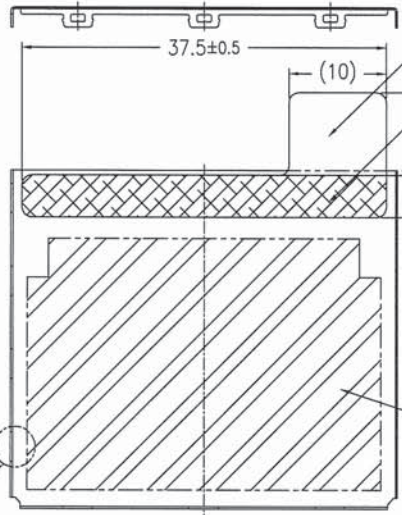
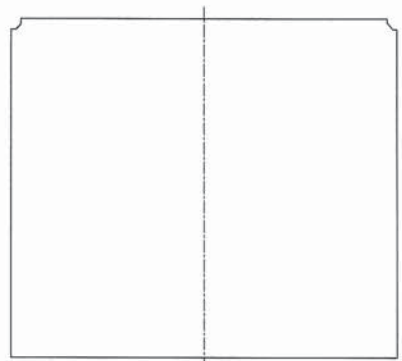


FCI CONFIDENTIAL



This document is the property of and embodies CONFIDENTIAL and PROPRIETARY information of FCI. No part of the information shown on this document may be used in any way or disclosed to others without the written consent of FCI. Copyright FCI.

PRODUCT NO.	RESIST
62195-001	YES (STYLE 1)
62195-002	NO
62195-003	YES (STYLE 2)



- NOTE
- 1. MATERIAL : SUS304 CSP 1/2H, t=0.2mm
  - 2. ADHESIVE TAPE MAT'L : UL746C, t=0.05mm (NOT INCLUDE SEPARATE TAPE) LIFE : 6 MONTHS AFTER MFG. LOT NO.
  - 3. RESIST : PRINTED MATTER, GREEN, t=0.02mm
  - 4. STORAGE TEMPERATURE : -20~60°C

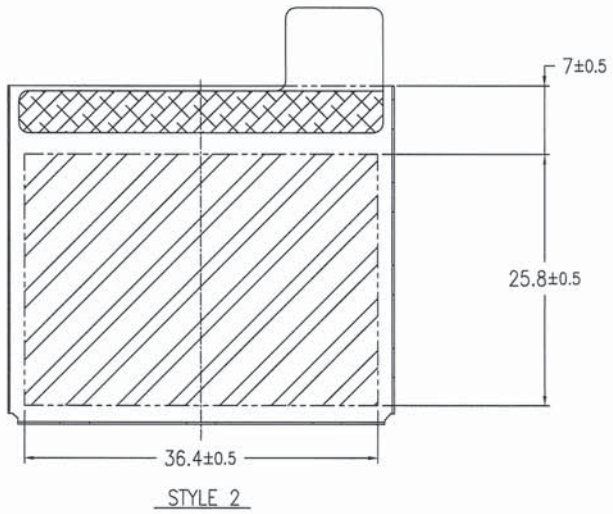
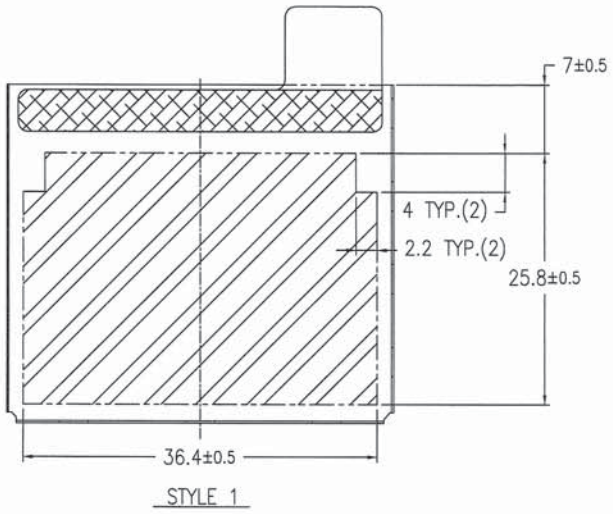
mat'l. code SEE_NOTE				surface ISO 1302	tolerance ISO 406 ISO 1101	projection mm	product family 5BOF - CARD SHIELDS	CODE JP
1	SKETCHED		HS	1/26/98	0.X	scale 2:1	title COMPACT FLASH UPPER COVER	dwg no 62195
2	REVISED		HS	4/21/98	0.XX ±0.3			
A	RELEASED	J80211	HS	5/ 8/98	0±2'		sheet 1 of 2	size A3
B	REVISED	J80319	HS	8/18/98	dr		type Product Customer Drawing	Rev. D
C	REVISED	J00645	YK	8/ 1/00	enr			
D	REVISED	J07-0045	RS	1/25/07	chr			
					appd			
sheet index	revision sheet	D	C					
		1	2					

FCI CONFIDENTIAL



This document is the property of and embodies CONFIDENTIAL and PROPRIETARY information of FCI. No part of the information shown on this document may be used in any way or disclosed to others without the written consent of FCI. Copyright FCI.

PRODUCT NO.	RESIST
<del>62195-001</del>	<del>YES (STYLE 1)</del>
62195-002	NO
62195-003	YES (STYLE 2)



mat'l. code SEE NOTE				surface ISO 1302	tolerance ISO 406 ISO 1101	projection 	product family 5B0F - CARD SHIELDS	CODE JP
ltr	description	ecn no	dr	date	tolerances unless otherwise specified	mm	title COMPACT FLASH UPPER COVER	
A	REVISED	J80319	HS	8/18/98	0.X	scale 2:1	dwg no	
B	REVISED	J00645	YK	8/1/00	0.XX ±0.3		sheet 2 of 2 size	
C	REVISED	J07-0045	RS	1/25/07	0.XXX		62195 A3	
sheet index				revision sheet		type		Product Customer Drawing
								Rev. C