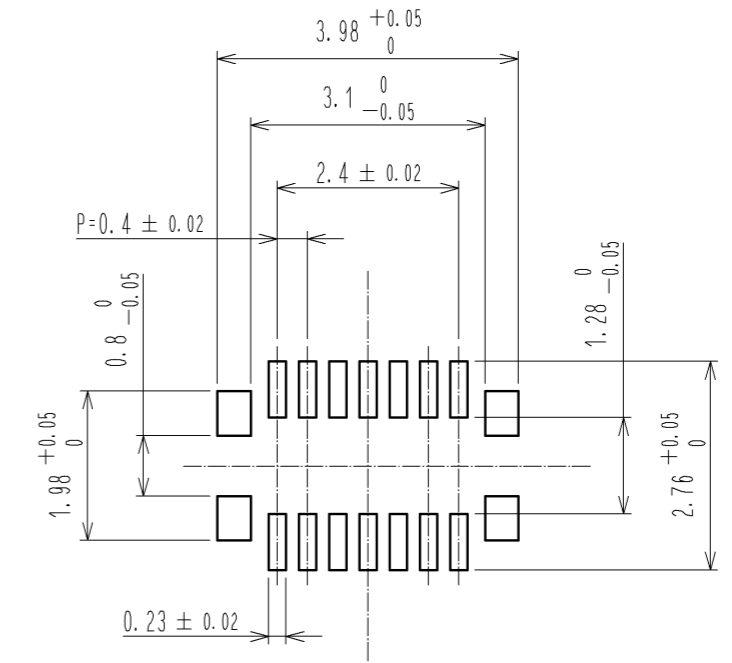
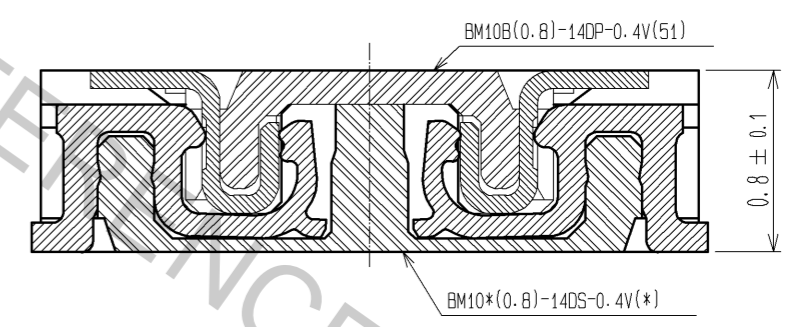


7 RECOMMENDED PATTERN



- 7 RECOMMENDED SOLDER PASTE : THICKNESS 120#m
- 7 RECOMMENDED METAL MASK OPENING RATIO : 100%

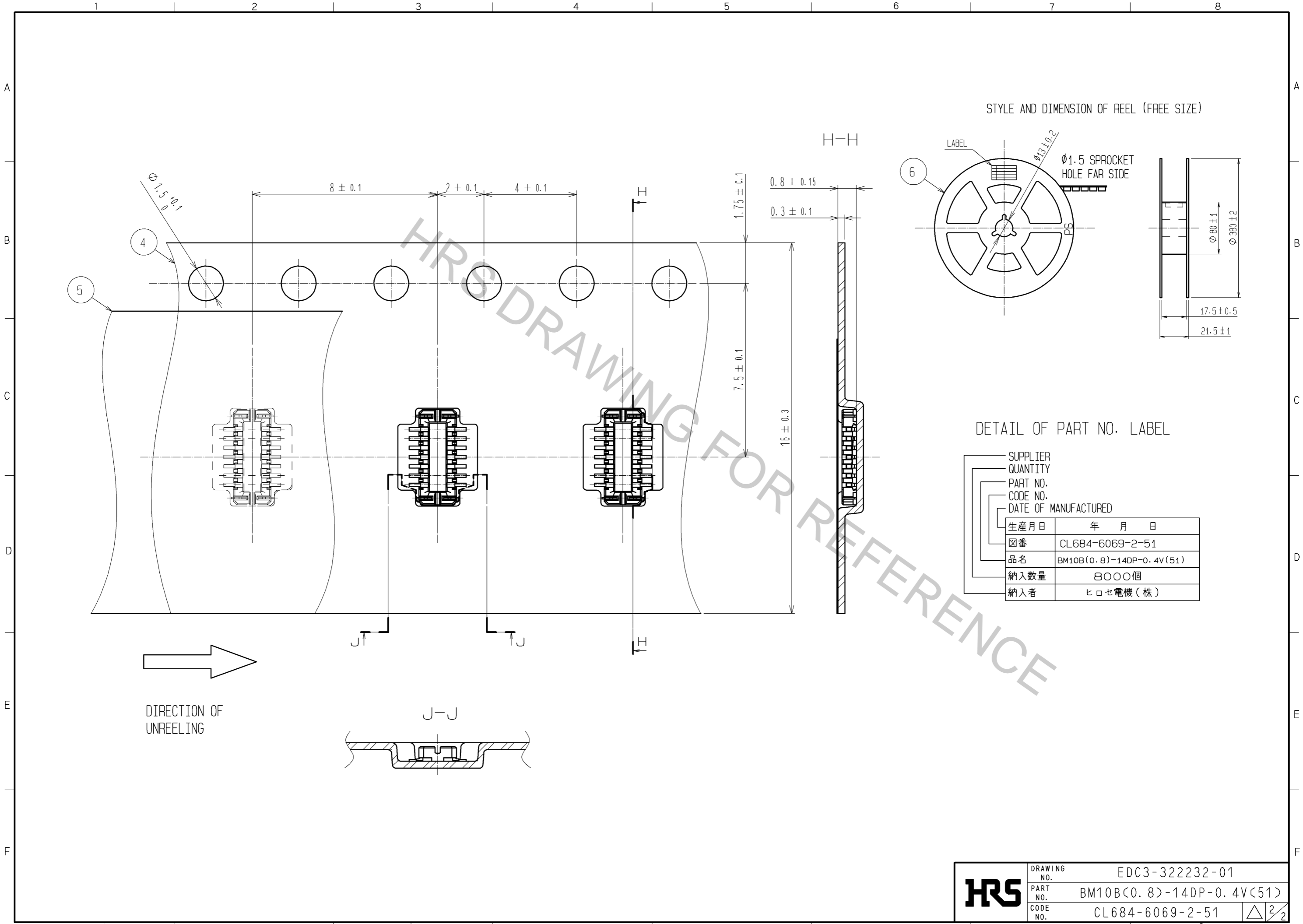
ENGAGEMENT FIGURE



NOTE 1. ALL LEADS CO-PLANARITY SHALL BE 0.1 MAX.
 2. PER REEL : 8000 CONNECTORS.
 3. AT THE BEGINNING OF THE REEL, 100 mm AT MIN SHALL BE EMPTY POCKETS.
 AT THE END OF THE REEL, 160 mm AT MIN SHALL BE EMPTY.
 4 CONTACT PLATING SPECIFICATIONS.
 CONTACT AREA : GOLD 0.05#m MIN.
 SMT LEAD : GOLD 0.05#m MIN.
 UNDERPLATING : NICKEL 1#m MIN.
 (SURFACE : SEALING)

- 5 METAL HOLD DOWN PLATING SPECIFICATIONS.
 MOUNTING AREA: GOLD 0.05#m MIN.
 UNDERPLATING : NICKEL 1#m MIN.
- 6. PEEL FORCE OF COVER TAPE REFERS TO JIS C 0806.
- 7 PLEASE CONTACT US IN CASE YOU WILL MAKE DIFFERENT SETTINGS FROM OUR RECOMMENDATION.

3	PHOSPHOR BRONZE	5	6	PS	PLASTIC REEL (BLACK)
2	PHOSPHOR BRONZE	4	5	POLYESTER	CLEAR (COVER TAPE)
1	LCP	UL94V-0, BLACK	4	PS	CLEAR (EMBOSSED CARRIER TAPE)
NO.	MATERIAL	FINISH, REMARKS	NO.	MATERIAL	FINISH, REMARKS
UNITS mm		SCALE 10:1	COUNT		DESCRIPTION OF REVISIONS
DESIGNED		CHECKED		DATE	
APPROVED : KH. IKEDA 13.03.27			DRAWING NO. EDC3-322232-01		
CHECKED : TS. MIYAZAKI 13.03.27			PART NO. BM10B(0.8)-14DP-0.4V(51)		
DESIGNED : TY. YAMASAKI 13.03.27			CODE NO. CL684-6069-2-51		
DRAWN : YS. YAMASAKI 13.03.27			1/2		



HRS	DRAWING NO.	EDC3-322232-01
	PART NO.	BM10B(0.8)-14DP-0.4V(51)
	CODE NO.	CL684-6069-2-51
		\triangle 2/2