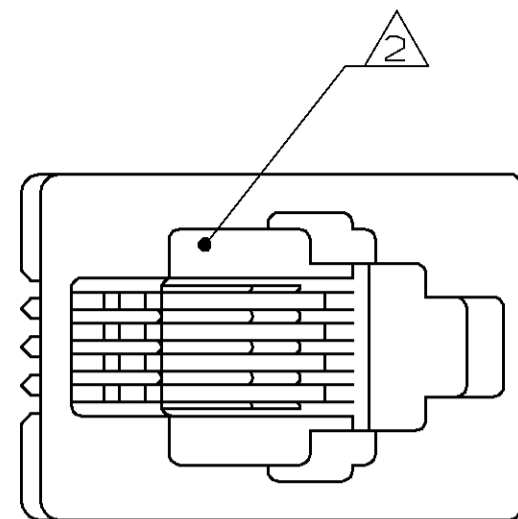


LOC	DIST	P	F	ZONE	LTR	DESCRIPTION	DATE	APPD
AA	22				B	OBSOLETE: -2; EC 0502-0852-97	22MAY98	DLD CMB

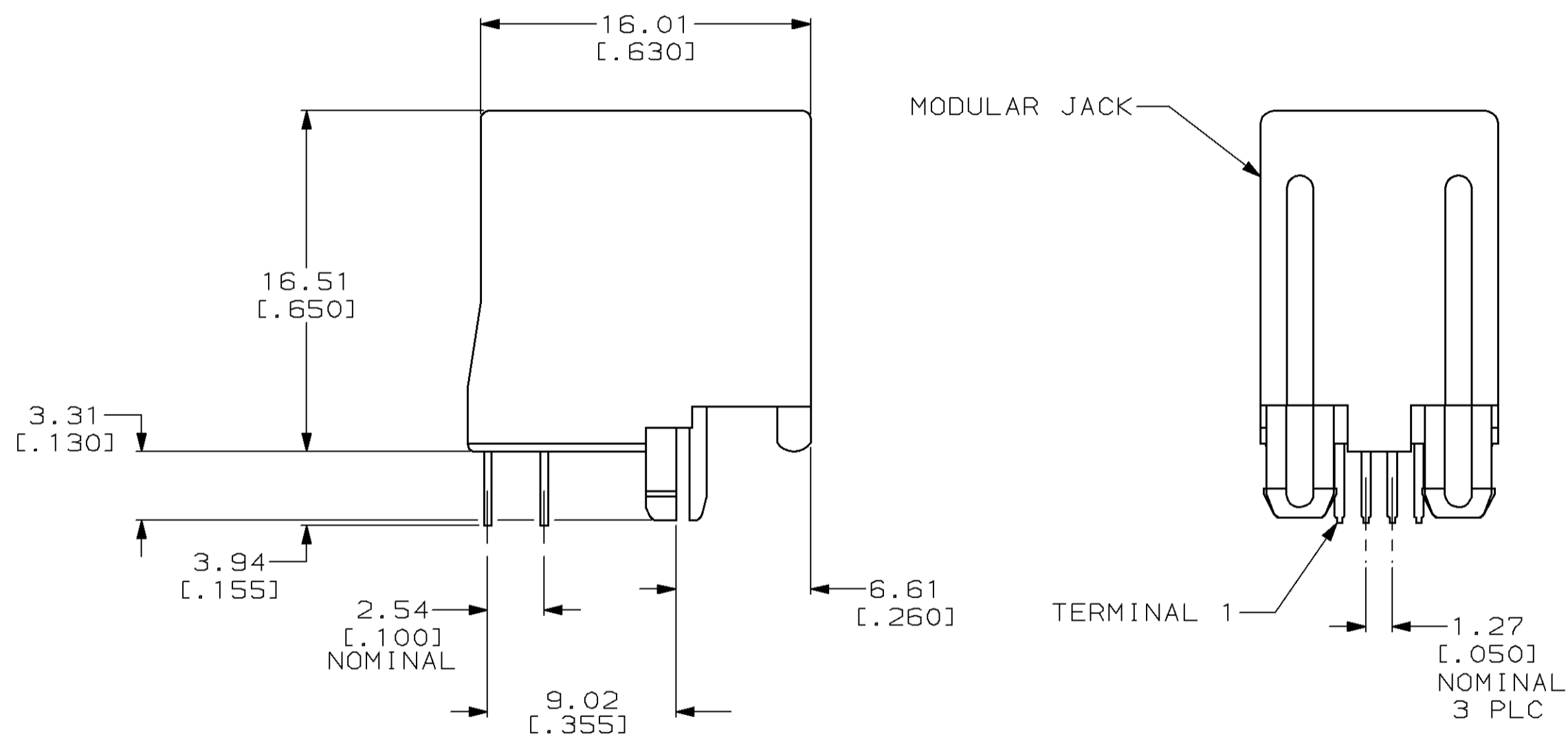


1 MATERIAL: HOUSING - PBT POLYESTER BLACK. TERMINAL - PHOS-BRONZ PLATED WITH 1.27μm [.000050] THICK HARD GOLD IN LOCALIZED GOLD PLATE AREA AND 2.03μm [.000080] THICK TIN-LEAD IN SOLDER AREA OVER 1.27μm [.000050] THICK NICKEL UNDERPLATE.

2 CAVITY CONFORMS TO FCC RULES AND REGULATIONS PART 68 AND REA BULLETIN 345-.81 PE-76 SPECIFICATION FOR MODULAR TELEPHONE HARDWARE.

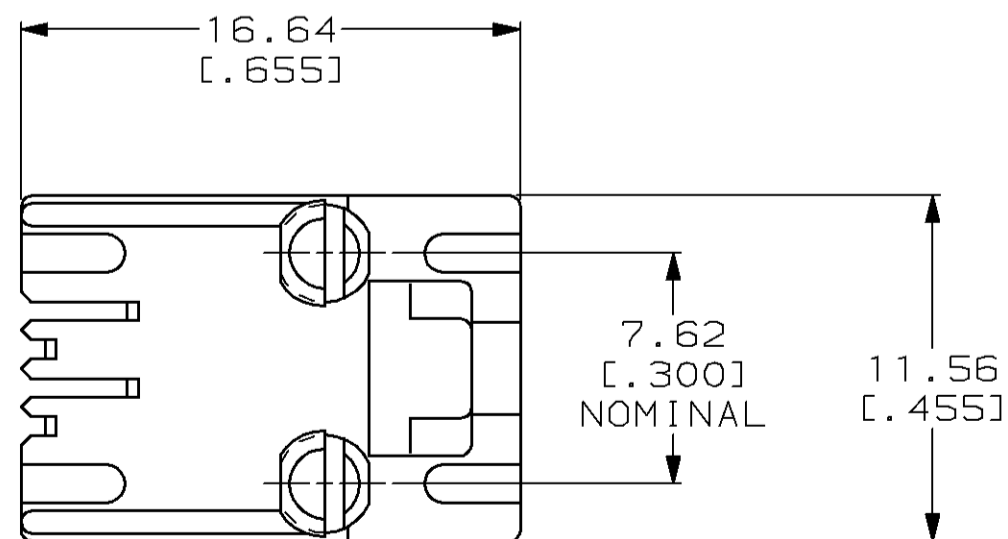
3 DIMENSIONS ARE MAXIMUM UNLESS OTHERWISE SPECIFIED.

4 BULK PACKAGED IN A TRAY.



MODULAR JACK

TERMINAL 1



4	558872-1
PACKAGED	PART NUMBER

DO NOT SCALE PRINT. UNLESS SPECIFIED DIMENSIONS IN mm [INCHES] TOLERANCES ON: 2 PLC DEC ± 3 PLC DEC ± ANGLES ±	DR 9-12-94 B. SIMPSON	AMP AMP Incorporated Harrisburg, PA 17105-3608	
	CHK 9-16-94 C. WHITT		
MATERIAL	APPD 9-23-94 J. TONEY	NAME MODULAR JACK ASSEMBLY, TOP ENTRY, 4 POSITION, WITHOUT PANEL STOPS	
	APPD 9-23-94 H. MCGRATH	PRODUCT SPEC 108-1163	
FINISH	APPLICATION SPEC 114-2048	SIZE C	CAGE CODE 00779
	WEIGHT -	SCALE 4:1	DRAWING NO G=558872
		SHEET	1 OF 1

THIS DRAWING IS A CONTROLLED DOCUMENT FOR AMP INCORPORATED. IT IS SUBJECT TO CHANGE AND THE CONTROLLING ENGINEERING ORGANIZATION SHOULD BE CONTACTED FOR THE LATEST REVISION.

558872