

# Sensor/Actuator cable - SAC-2P-SUSMS/ 3,0-PUR/SUSFS - 1410761

Please be informed that the data shown in this PDF Document is generated from our Online Catalog. Please find the complete data in the user's documentation. Our General Terms of Use for Downloads are valid (<http://phoenixcontact.com/download>)



Sensor/Actuator cable, 2-position, PUR halogen-free, black-gray RAL 7021, Plug straight Superseal Clip locking, on Socket straight Superseal Clip locking, Cable length: 3 m

RoHS

## Key Commercial Data

|              |               |
|--------------|---------------|
| Packing unit | 1 STK         |
| GTIN         |               |
| GTIN         | 4046356924498 |

## Technical data

### Dimensions

|                 |     |
|-----------------|-----|
| Length of cable | 3 m |
|-----------------|-----|

### Ambient conditions

|                                 |                              |
|---------------------------------|------------------------------|
| Ambient temperature (operation) | -20 °C ... 85 °C (Superseal) |
| Degree of protection            | IP67                         |

### General

|                              |              |
|------------------------------|--------------|
| Rated current at 40°C        | 8 A          |
| Rated voltage                | 24 V         |
| Number of positions          | 2            |
| Insulation resistance        | ≥ 100 MΩ     |
| Coding                       | A - standard |
| Status display               | No           |
| Protective circuit/component | Unwired      |

### Material

|  |                            |
|--|----------------------------|
| Flammability rating according to UL 94 | HB                         |
| Contact material                       | CuZn (pin)/PhCuSn (socket) |
| Contact carrier material               | PA 66                      |

# Sensor/Actuator cable - SAC-2P-SUSMS/ 3,0-PUR/SUSFS - 1410761

## Technical data

### Material

|                       |               |
|-----------------------|---------------|
| Material of grip body | PA            |
| Material, knurls      | not available |
| Sealing material      | Silicon       |

### Standards and Regulations

|  |    |
|--|----|
| Flammability rating according to UL 94 | HB |
|--|----|

### Cable

|   |                                       |
|---|---------------------------------------|
| Cable type                                    | PUR halogen-free black                |
| Cable type (abbreviation)                     | PUR                                   |
| Cable abbreviation                            | Li9Y11Y                               |
| UL AWM style                                  | 20549 / 10493 (80°C/300 V)            |
| Conductor cross section                       | 2x 0.75 mm <sup>2</sup> (Signal line) |
| AWG signal line                               | 18                                    |
| Conductor structure signal line               | 42x 0.15 mm                           |
| Core diameter including insulation            | 1.69 mm ±0.05 mm (Signal line)        |
| Thickness, insulation                         | ≥ 0.21 mm                             |
| Wire colors                                   | brown, blue                           |
| Overall twist                                 | 2 wires, twisted                      |
| External sheath, color                        | black-gray RAL 7021                   |
| Outer sheath thickness                        | ≥ 0.38 mm                             |
| External cable diameter D                     | 4.8 mm ±0.15 mm                       |
| Minimum bending radius, fixed installation    | 5 x D                                 |
| Minimum bending radius, flexible installation | 10 x D                                |
| Number of bending cycles                      | 4000000                               |
| Bending radius                                | 48 mm                                 |
| Traversing path                               | 10 m                                  |
| Traversing rate                               | 3 m/s                                 |
| Acceleration                                  | 10 m/s <sup>2</sup>                   |
| Cable weight                                  | 33 kg/km                              |
| Outer sheath, material                        | PUR                                   |
| Material conductor insulation                 | PP                                    |
| Conductor material                            | Bare Cu litz wires                    |
| Insulation resistance                         | ≥ 1 GΩ*km (at 20 °C)                  |
| Conductor resistance                          | ≤ 26 Ω/km (at 20 °C)                  |
| Nominal voltage, cable                        | ≤ 300 V AC                            |
| Test voltage, cable                           | ≥ 3000 V AC (Spark test)              |
| Special properties                            | flexible                              |
|   | Flexible cable conduit capable        |
| Flame resistance                              | according to UL 758/1581 (horizontal) |
|   | in accordance with UL 758/1581 FT2    |
|   | according to DIN EN 60332-2-2         |

# Sensor/Actuator cable - SAC-2P-SUSMS/ 3,0-PUR/SUSFS - 1410761

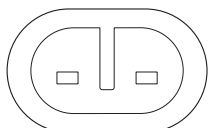
## Technical data

### Cable

|                                 |  |
|---------------------------------|--|
| Halogen-free                    | in accordance with DIN VDE 0472 part 815                   |
|                                 | in accordance with DIN EN 50267-2-1                        |
| Resistance to oil               | According to DIN EN 60811-2-1, 168 h at 100°C              |
|                                 | According to UL 758, 168 h at 60°C                         |
| Other resistance                | hydrolysis and microbe resistant                           |
|                                 | partly UV-resistant in accordance with DIN EN ISO 4892-2-A |
|                                 | Low adhesion   |
|                                 | abrasion-resistant   |
| Ambient temperature (operation) | -40 °C ... 80 °C (cable, fixed installation)               |
|                                 | -25 °C ... 80 °C (cable, flexible installation)            |

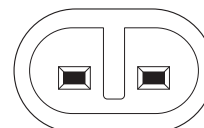
## Drawings

Schematic diagram



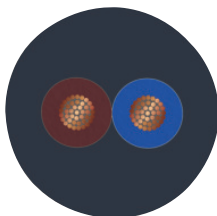
Super seal plug pin assignment, 2-pos.

Schematic diagram



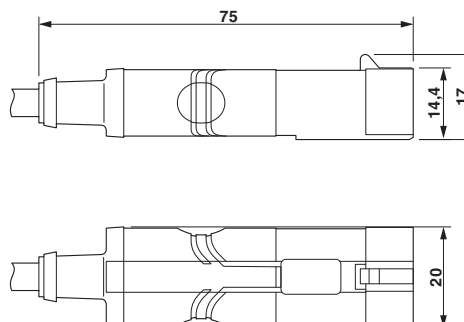
Super seal socket pin assignment, 2-pos.

Cable cross section



PUR halogen-free black [PUR]

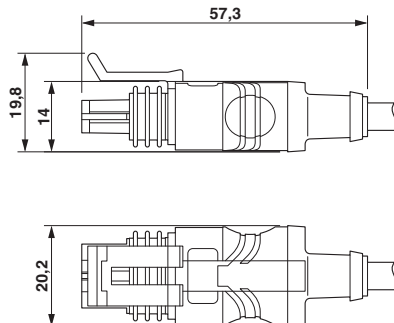
Dimensional drawing



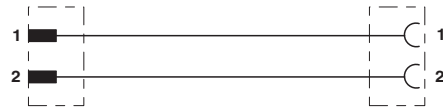
Superseal, plug, view from above and side

## Sensor/Actuator cable - SAC-2P-SUSMS/ 3,0-PUR/SUSFS - 1410761

Dimensional drawing



Circuit diagram



Contact assignment of the super seal plug to the super seal socket

Superseal, socket, view from above and side

Phoenix Contact 2017 © - all rights reserved  
<http://www.phoenixcontact.com>

PHOENIX CONTACT GmbH & Co. KG  
Flachsmarktstr. 8  
32825 Blomberg  
Germany  
Tel. +49 5235 300  
Fax +49 5235 3 41200  
<http://www.phoenixcontact.com>