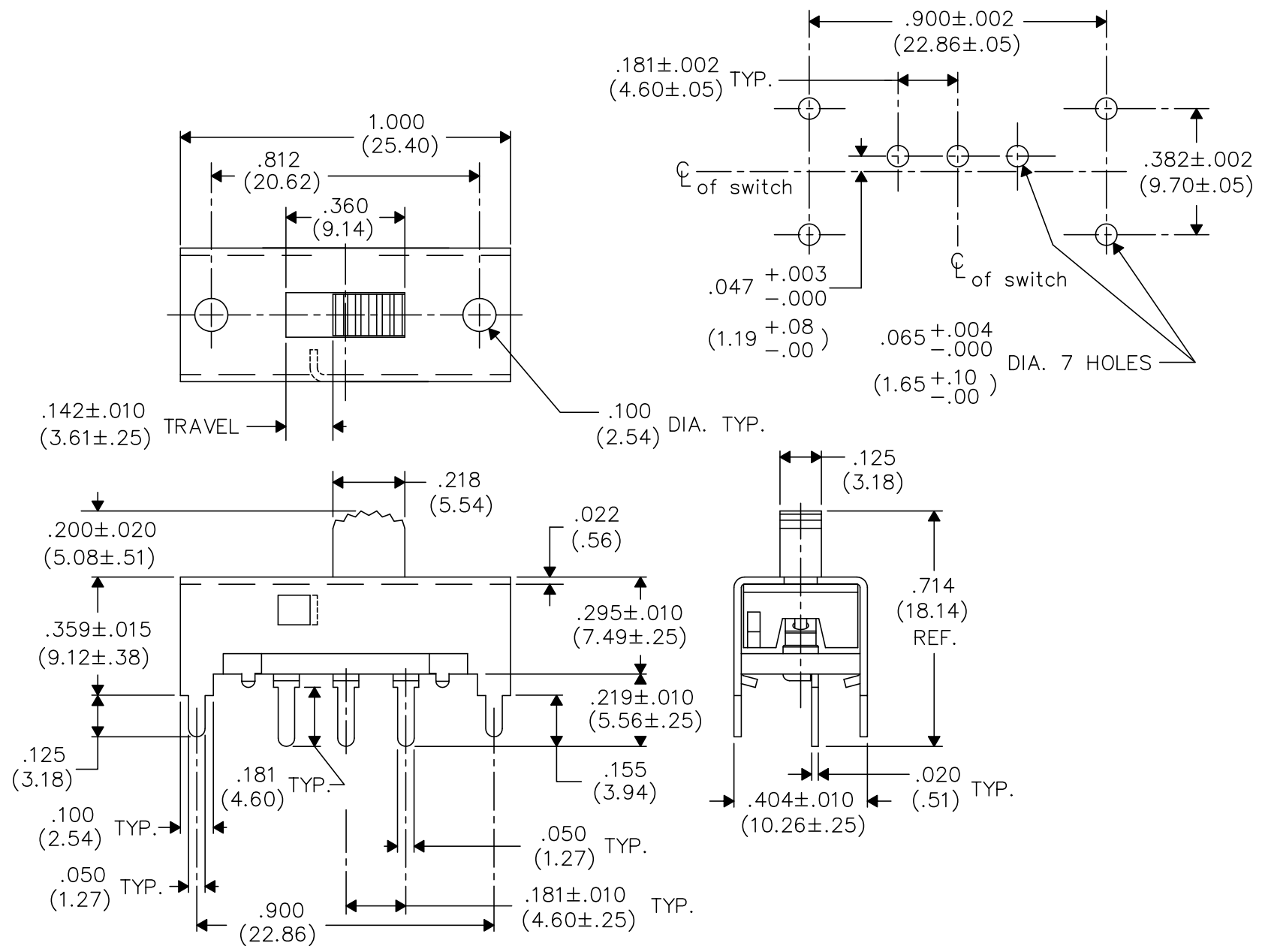


P.C. LAYOUT



1	2	3	4	5	6	7	8	9	10
---	---	---	---	---	---	---	---	---	----

B-FORMAT 2002
REVISIONS
O
RELEASED.
DGW 11-10-2003
Nov. 25, 2003

CW INDUSTRIES
Southampton, Pa. 18966

TOLERANCES UNLESS OTHERWISE SPECIFIED	
2 Place Decimal ±.010	METRIC
3 Place Decimal ±.005	1 Place Dec. ±.25mm
Angles ±1°	2 Place Dec. ±.13mm

Made for: CW IND.
Drawn by: DGW 11-10-2003
Checked by: GG 11-25-03
Approval: BF 11-25-3

Title: MINI SWITCH ASSEMBLY
S.P.- D.T. SR

Division: SWITCH
Dwg. No. GP-132-0000

PDF File Made